

4

3

2

1

THIS DRAWING IS UNPUBLISHED.

RELEASED FOR PUBLICATION

20

© COPYRIGHT 20

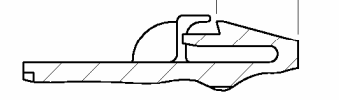
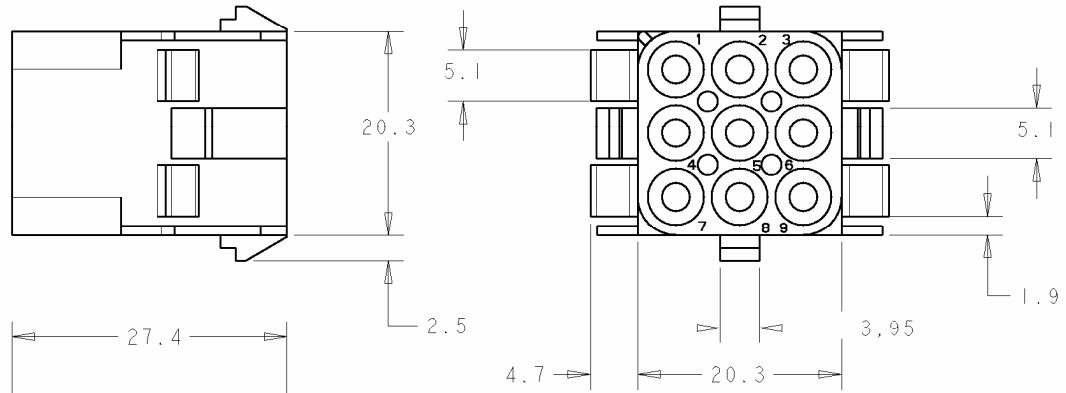
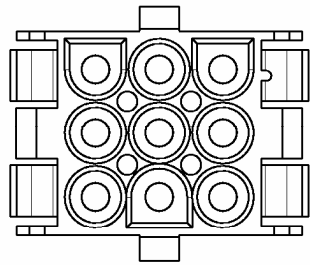
ALL RIGHTS RESERVED.

LOC AL

DIST I

REVISIONS

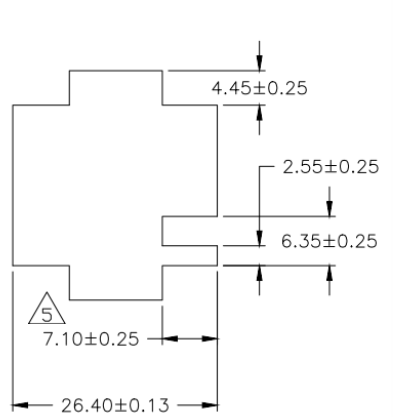
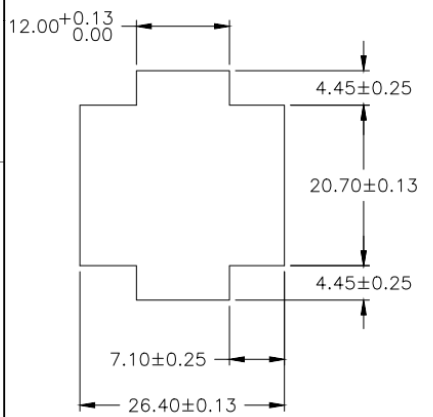
P	LTR	DESCRIPTION	DATE	DWN	APVD
F4		REVISED PER ECR-15-007190	14JUL2015	NK	EW



SECTION A-A

PANEL CUTOUT

PANEL CUTOUT $\triangle 4$



$\triangle 9$ PRELIMINARY PART NOT RELEASED FOR PRODUCTION

- 1 SUITABLE FOR PIN AND FEMALE CONTACTS
- 2 RECOMMENDED SHEET METAL THICKNESS 0,75 - 2,3 mm.
- 3 HOUSING MUST BE INTRODUCED IN PUNCHING DIRECTION.

- $\triangle 4$ FOR CODED USING OF THE HOUSINGS
- $\triangle 5$ POSITION OF CAVITY I FOR CODED USING
- $\triangle 6$ NEW MATERIAL (PHOSPOR AND HALOGENEUS FREE).
- $\triangle 7$ GWT 750°C (WITHOUT FLAME) ACCORDING IEC 60335-1 EDITION 06/2001
- $\triangle 8$ MATERIAL WITH GWFI 850°C

927231-7	PA66 UL-94 V0	NATURAL $\triangle 4$
927231-6	PA6 UL-94 V0	NATURAL $\triangle 4$
927231-5	PA6 UL-94 V2	NATURAL $\triangle 4$ $\triangle 8$
927231-4	PA66 UL-94 V0	WHITE
927231-3	PA66 UL-94 V0	NATURAL $\triangle 6$
927231-2	PA66 UL-94 V0	BLACK
927231-1	PA66 UL-94 V0	NATURAL
PN	MATERIAL	COLOUR

DIMENSIONS: mm 		TOLERANCES UNLESS OTHERWISE SPECIFIED: 0 PLC ±0,2 1 PLC ±0,2 2 PLC ±0,2 3 PLC ± 4 PLC ANGLES ±		DWN J.SALO 05MAR2008 CHK J.LAZARO 06MAR2008 APVD I.BATILLO 06MAR2008		TE Connectivity	
MATERIAL SEE TABLE		FINISH -		PRODUCT SPEC 108-1031 APPLICATION SPEC 114-18011 WEIGHT -			
CUSTOMER DRAWING				SIZE A3 CAGE CODE 00779 DRAWING NO 927231 RESTRICTED TO -		SCALE 2:1 SHEET OF REV F4	