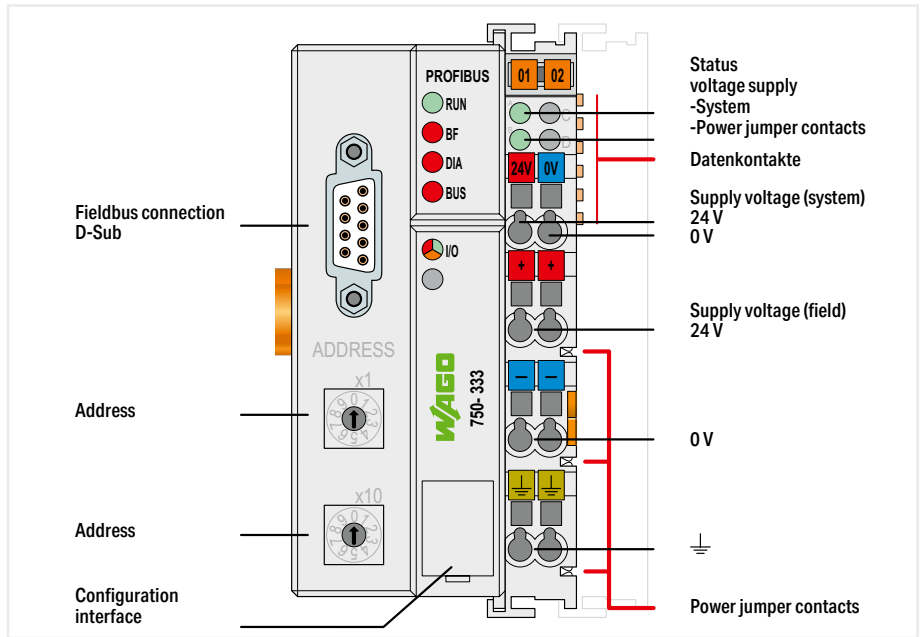


Fieldbus couplers ► PROFIBUS DP; 2nd generation



750-333



Version	Standard	ext. temperature
Item no.	750-333	750-333/025-000
Order Text	FC PROFIBUS; G2; 12MBd	FC PROFIBUS; G2; 12MBd; T

Technical data		
Communication	PROFIBUS	
Protocols	PROFIBUS DP/V1	
Connection technology: communication/fieldbus	PROFIBUS: 1 x D-sub 9 socket	
Number of fieldbus nodes on master (max.)	96	
Baud rate	9.6 kBd ... 12 MBd	
Transmission medium (communication/fieldbus)	Cu cable per EN 50170	
Number of modules per node (max.)	63	
Input and output process image (fieldbus) max.	244 bytes/244 bytes	
Supply voltage (system)	24 VDC (-25 ... +30 %); via pluggable connector (CAGE CLAMP® connection)	
Supply voltage (field)	24 VDC (-25 ... +30 %); via power jumper contacts	
Input current (typ.) at nominal load (24 V)	500 mA	
Current consumption (5 V system supply)	200 mA	
Total current (system supply)	1800 mA	
Ambient temperature (operation)	0 ... +55 °C	-20 ... +60 °C
Dimensions W x H x D	(50.5 x 100 x 71.1) mm	
Approvals	Marine; OrdLoc/HazLoc; ATEX/IECEx	
For data sheet and additional information, see:	wago.com/750-333	