

REVISIONS					
P	LTR	DESCRIPTION	DATE	DWN	APVD
	Y	TE LOGO, RESIN SUPPLIER AND RAL CHANGE	29AUG2019	KJK	PS

POS.	L±0.8	PART NUMBER
2	5.08	925369-2
3	7.62	925369-3
4	10.16	925369-4
5	12.70	925369-5
6	15.24	925369-6
7	17.78	925369-7
8	20.32	925369-8
9	22.86	925369-9
10	25.40	1-925369-0
11	27.94	1-925369-1
12	30.48	1-925369-2
13	33.02	1-925369-3
14	35.56	1-925369-4
15	38.10	1-925369-5
16	40.64	1-925369-6
17	43.18	1-925369-7
18	45.72	1-925369-8
19	48.26	1-925369-9
20	50.80	2-925369-0
21	53.34	2-925369-1
22	55.88	2-925369-2
23	58.42	2-925369-3
24	60.96	2-925369-4
25	63.50	2-925369-5
26	66.04	2-925369-6
27	68.58	2-925369-7
28	71.12	2-925369-8
29	73.66	2-925369-9
30	76.20	3-925369-0
31	78.74	3-925369-1
32	81.28	3-925369-2
33	83.82	3-925369-3
34	86.36	3-925369-4
35	88.90	3-925369-5
36	91.44	3-925369-6
37	93.98	3-925369-7
38	96.52	3-925369-8
39	99.06	3-925369-9
40	101.60	4-925369-0
41	104.14	4-925369-1
42	106.68	4-925369-2
43	109.22	4-925369-3
44	111.76	4-925369-4
45	114.30	4-925369-5
46	116.84	4-925369-6
47	119.38	4-925369-7
48	121.92	4-925369-8
49	124.46	4-925369-9
50	127.00	5-925369-0

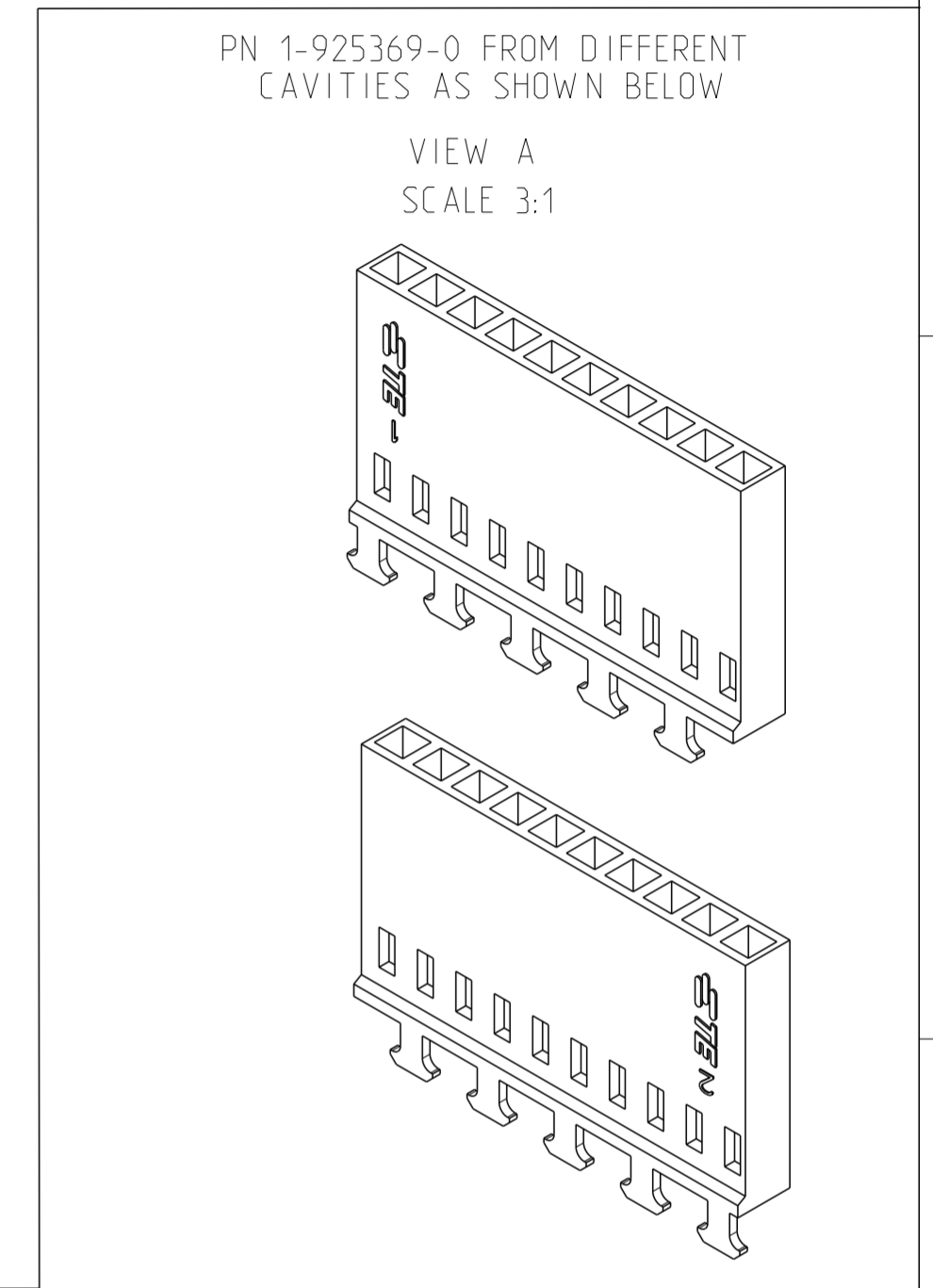
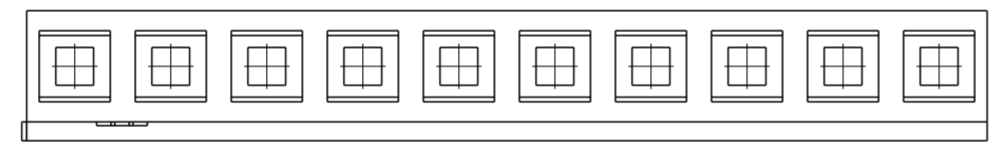
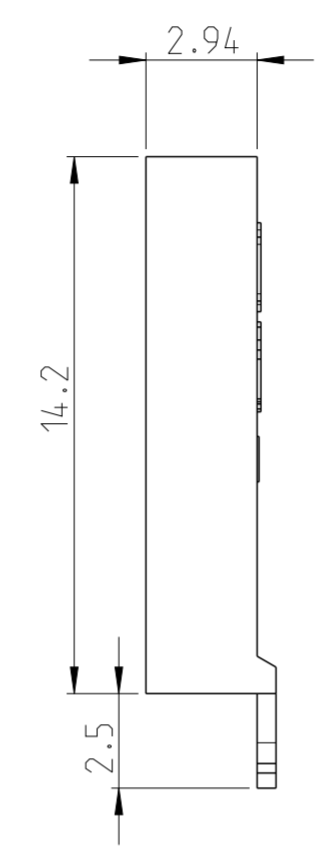
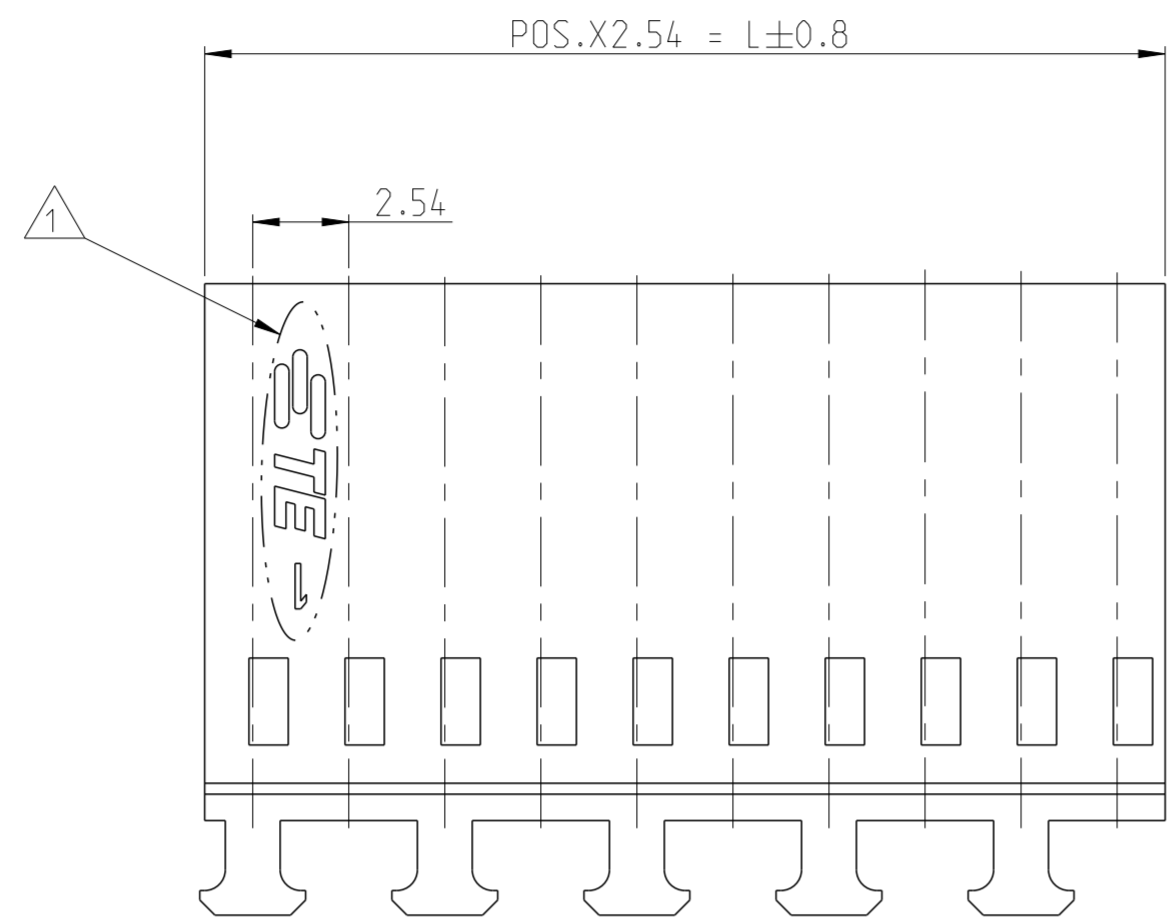
OBSOLETE

OBSOLETE

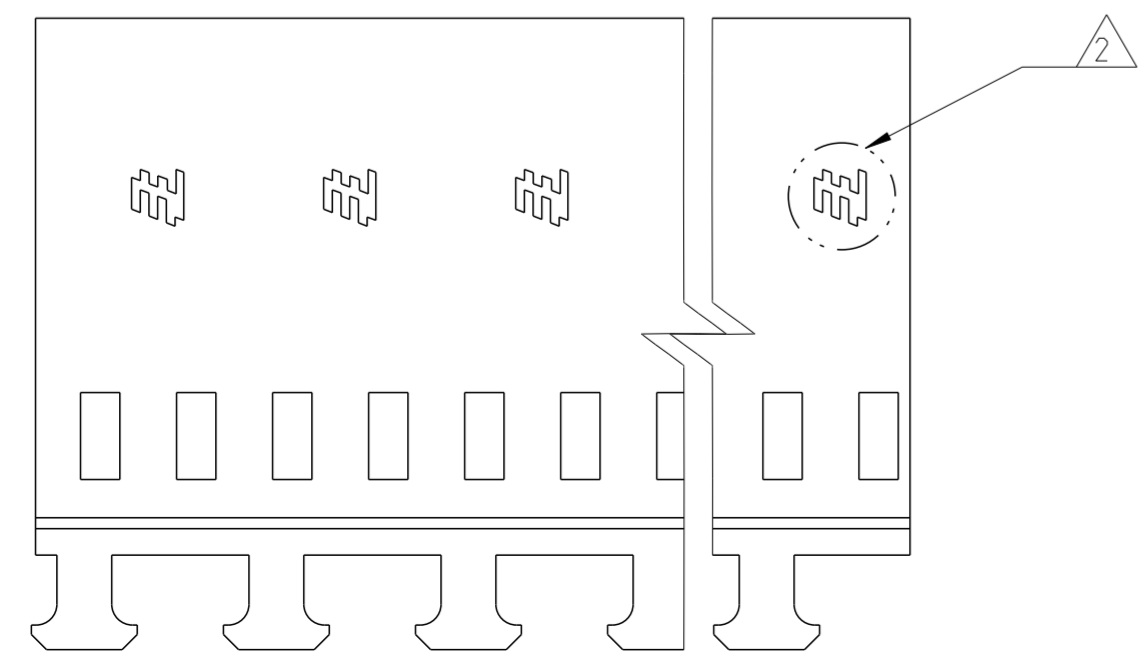
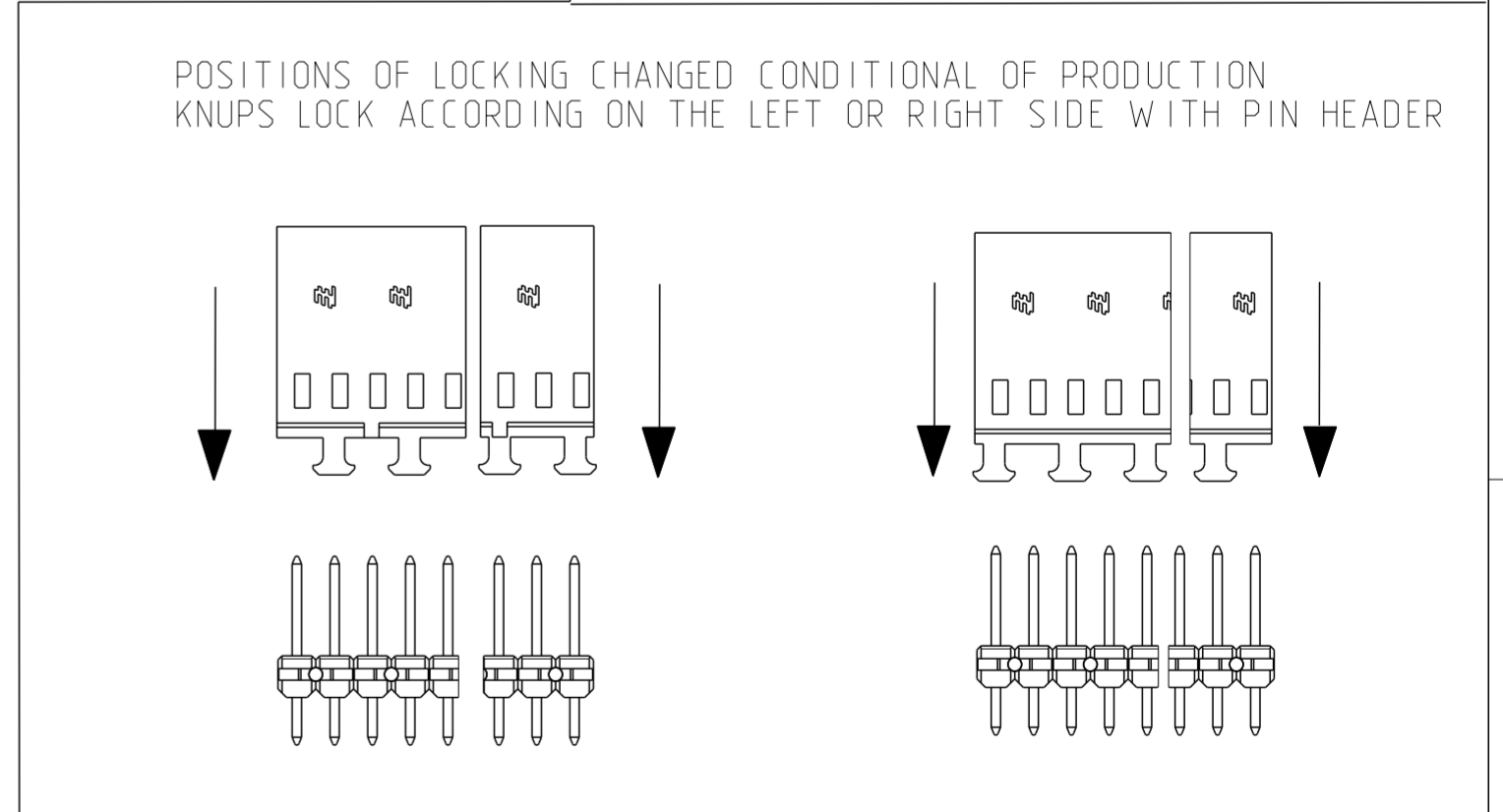
OBSOLETE

OBSOLETE

OBSOLETE



- NOTES:
- 1 TE LOGO FOR 2 POSITION TO 19 POSITION PART NUMBERS
TE LOGO CAN BE ON EITHER SIDE (LEFT OR RIGHT) OF THE HOUSINGS, REFER VIEW A
 - 2 TE LOGO FOR 20 POSITION TO 50 POSITION PART NUMBERS.
 - 3 PRODUCT SPECIFICATION -108-25020 (MOD IV STANDARD CONTACT PRESSURE)
-108-25021 (MOD IV INTERMEDIATE CONTACT PRESSURE)
-108-25007 (MOD V HIGH CONTACT PRESSURE)



THIS DRAWING IS A CONTROLLED DOCUMENT.		DWN KARTHIK J K 28AUG2019	TE Connectivity	
DIMENSIONS: mm		CHK HARI REDDY 28AUG2019		
TOLERANCES UNLESS OTHERWISE SPECIFIED: ±0.2mm		APVD PRASHANTH S 28AUG2019	NAME AMPMODU IV RECEPTACLE HOUSING SINGLE ROW, WITH STRAIN RELIEF	
0 PLC ± 1 PLC ± 2 PLC ± 3 PLC ± 4 PLC ± ANGLES ± FINISH -		PRODUCT SPEC 3	SIZE A2	CAGE CODE 00779
MATERIAL PA66 GREEN RAL 6001		APPLICATION SPEC 114-25003	DRAWING NO G-925369	RESTRICTED TO -
		WEIGHT -	SCALE 5:1	SHEET 1 OF 1
		CUSTOMER DRAWING	REV Y	