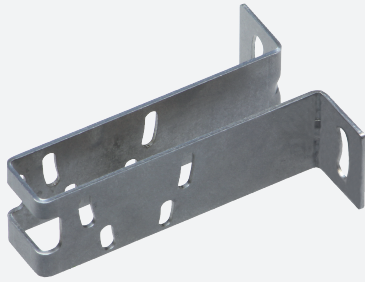


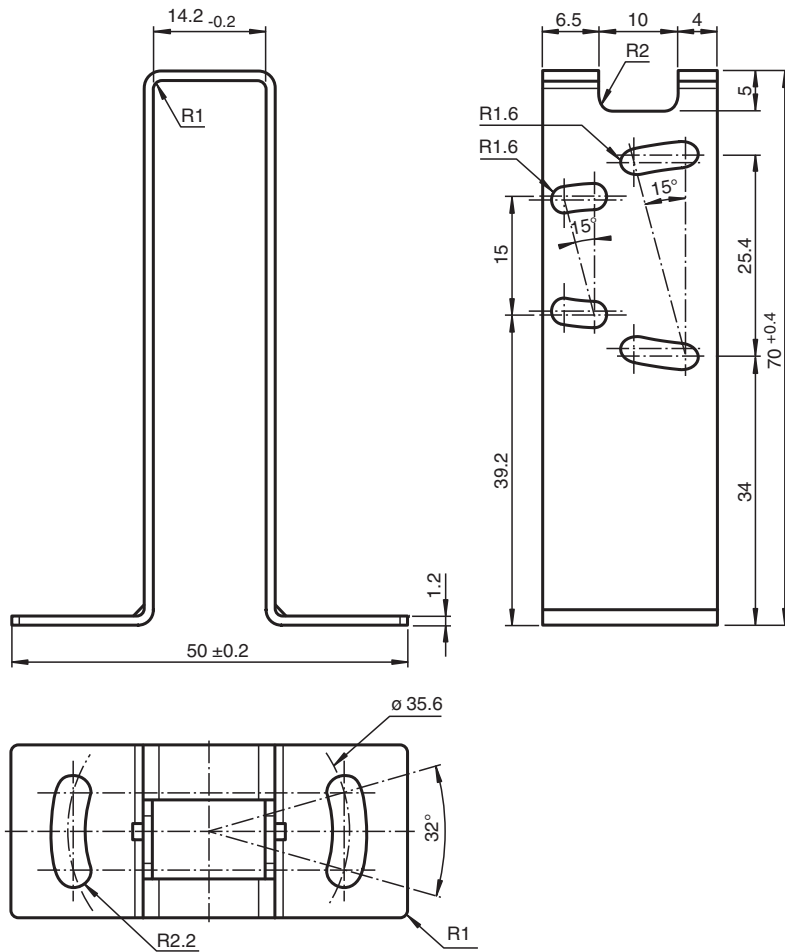
# Mounting aid OMH-R10X-02



- Mounting bracket
- Simple and fast mounting

Mounting bracket

## Dimensions



Release date: 2020-04-03 Date of issue: 2020-06-30 Filename: 273882\_eng.pdf

## Technical Data

### Mechanical specifications

|          |                 |
|----------|-----------------|
| Material | Stainless steel |
|----------|-----------------|

Refer to "General Notes Relating to Pepperl+Fuchs Product Information".

Pepperl+Fuchs Group  
www.pepperl-fuchs.com

USA: +1 330 486 0001  
fa-info@us.pepperl-fuchs.com

Germany: +49 621 776 1111  
fa-info@de.pepperl-fuchs.com

Singapore: +65 6779 9091  
fa-info@sg.pepperl-fuchs.com

**pf** PEPPERL+FUCHS

**Technical Data**

|                        |              |
|------------------------|--------------|
| Mass                   | approx. 32 g |
| <b>Suitable series</b> |              |
| Series                 | R100<br>R101 |

Release date: 2020-04-03 Date of issue: 2020-06-30 Filename: 273882\_eng.pdf

Refer to "General Notes Relating to Pepperl+Fuchs Product Information".

Pepperl+Fuchs Group  
www.pepperl-fuchs.comUSA: +1 330 486 0001  
fa-info@us.pepperl-fuchs.comGermany: +49 621 776 1111  
fa-info@de.pepperl-fuchs.comSingapore: +65 6779 9091  
fa-info@sg.pepperl-fuchs.com **PEPPERL+FUCHS**