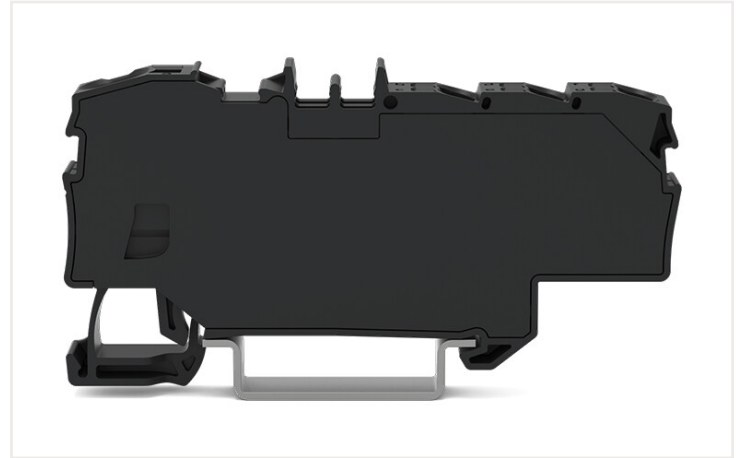
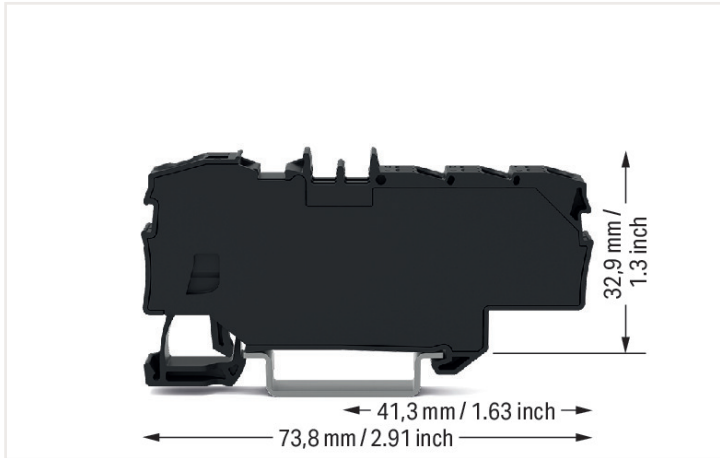


Data sheet | Item number: 2006-8035

Distribution terminal block; with operating slots; 1 x 6 mm² / 6 x 1.5 mm²; with integrated end plate; side and center marking; for DIN-rail 35 x 15 and 35 x 7.5; Push-in CAGE CLAMP®; 6,00 mm²; black



Electrical data

Ratings per IEC/EN

Nominal voltage (III/3)	800 V
Rated impulse voltage (III/3)	8 kV
Rated current	41 A
Rated current 2	57 A
Legend (ratings)	(III / 3) ≙ Overvoltage category III / Pollution degree 3

Power loss

Power loss, per pole (potential)	1.3112 W
Rated current I_N for specified power loss	41 A
Resistance value for specified, current-dependent power loss	0.00078 Ω

Connection data

Total number of connection points	7
Total number of potentials	1
Number of levels	1
Number of jumper slots	2

Connection 1

Connection type 1	Input
Connection technology	Push-in CAGE CLAMP®
Number of connection points	1
Actuation type	Push-in Operating tool
Connectable conductor materials	Copper
Nominal cross-section	6 mm ²
Solid conductor	0.5 ... 10 mm ² / 20 ... 8 AWG
Solid conductor; push-in termination	2.5 ... 10 mm ² / 14 ... 8 AWG
Fine-stranded conductor	0.5 ... 10 mm ² / 20 ... 8 AWG
Fine-stranded conductor; with insulated ferrule	0.5 ... 6 mm ² / 20 ... 10 AWG
Fine-stranded conductor; with ferrule; push-in termination	2.5 ... 6 mm ² / 16 ... 10 AWG
Note (conductor cross-section)	Depending on the conductor characteristic, a conductor with a smaller cross-section can also be inserted via push-in termination.
Strip length	13 ... 15 mm / 0.51 ... 0.59 inches
Wiring direction	Front-entry wiring

Connection 2

Connection type 2	Output
Connection technology 2	Push-in CAGE CLAMP®
Number of connection points 2	6
Nominal cross-section 2	1.5 mm ²
Solid conductor 2	0.25 ... 2.5 mm ² / 22 ... 14 AWG
Solid conductor; push-in termination 2	0.75 ... 2.5 mm ² / 18 ... 14 AWG
Fine-stranded conductor 2	0.25 ... 2.5 mm ² / 22 ... 14 AWG
Fine-stranded conductor; with insulated ferrule 2	0.25 ... 1.5 mm ² / 22 ... 16 AWG
Fine-stranded conductor; with ferrule; push-in termination; 2	0.75 ... 1.5 mm ² / 18 ... 16 AWG
Strip length 2	9 ... 11 mm / 0.35 ... 0.43 inches

Physical data

Width	9 mm / 0.354 inches
Height	73.8 mm / 2.905 inches
Depth from upper-edge of DIN-rail	32.9 mm / 1.295 inches

Mechanical data

Mounting type	DIN-35 rail
Marking level	Center/side marking

Material data

Note (material data)	Information on material data can be found here
Color	black
Material group	I
Insulation material	Polyamide (PA66)
Flammability class per UL94	V0
Clamping spring material	Chrome-nickel spring steel (CrNi)
Fire load	0.316 MJ
Weight	16.2 g

Commercial data

ETIM 8.0	EC000897
ETIM 7.0	EC000897
PU (SPU)	12 Pieces
Country of origin VKOrg Germany	DE
GTIN	4066966185782
Customs tariff number VKOrg Germany	85369010000

Downloads

Environmental Product Compliance

Compliance Search

Environmental Product Compliance 2006-8035 [↓](#)



Documentation

Additional Information

Technical Section pdf 2142.18 KB [↓](#)

Bid Text			
2006-8035		xml 6.02 KB	↓
2006-8035		docx 26.34 KB	↓

CAD/CAE-Data

CAD data

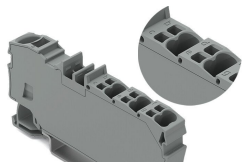
2D/3D Models 2006-8035 [↓](#)

Installation notes

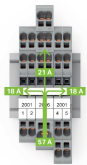
Conductor termination



All conductor types at a glance



Application



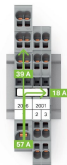
Commoning options for the 2006 Series Distribution Terminal Blocks and 2001 Series Terminal Blocks using 2001 Series Jumpers

Note:
The total current of the outgoing circuits must not exceed the nominal current of the push-in type jumper bar.



Commoning options for the 2006 Series Distribution Terminal Blocks and 2001 Series Terminal Blocks using 2001 Series Jumpers

Note:
The total current of the outgoing circuits must not exceed the nominal current of the push-in type jumper bar.



Commoning options for the 2006 Series Distribution Terminal Blocks and 2001 Series Terminal Blocks using 2001 Series Jumpers

Note:
The total current of the outgoing circuits must not exceed the nominal current of the push-in type jumper bar.

Subject to changes. Please also observe the further product documentation!

Current addresses can be found at: www.wago.com
