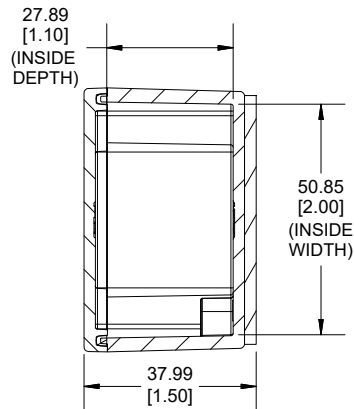
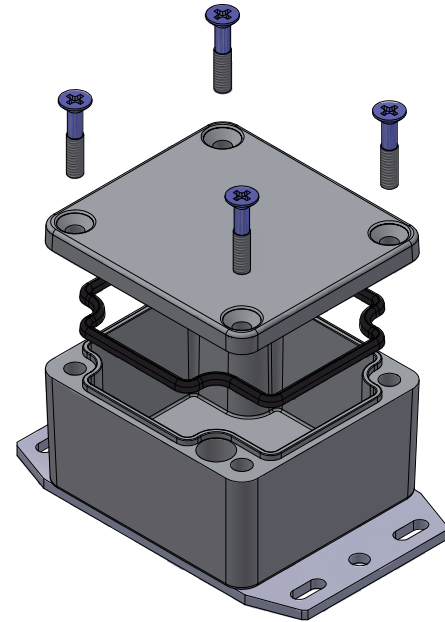


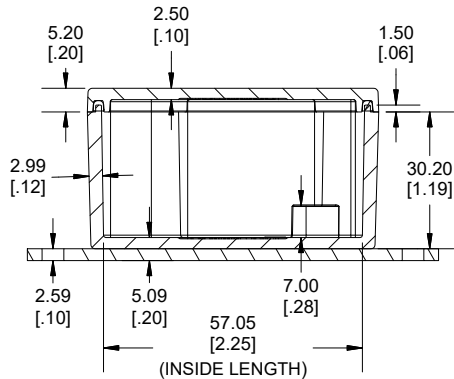
TOP VIEW



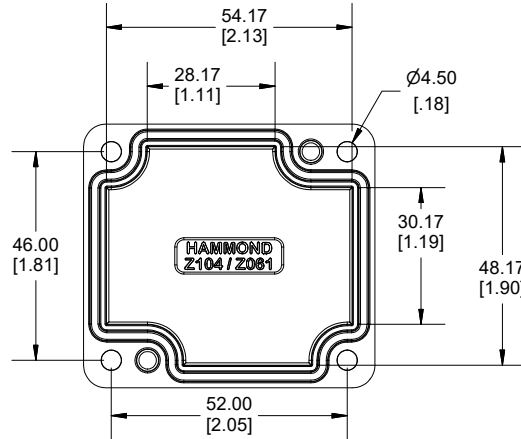
**SECTION A-A
END VIEW**



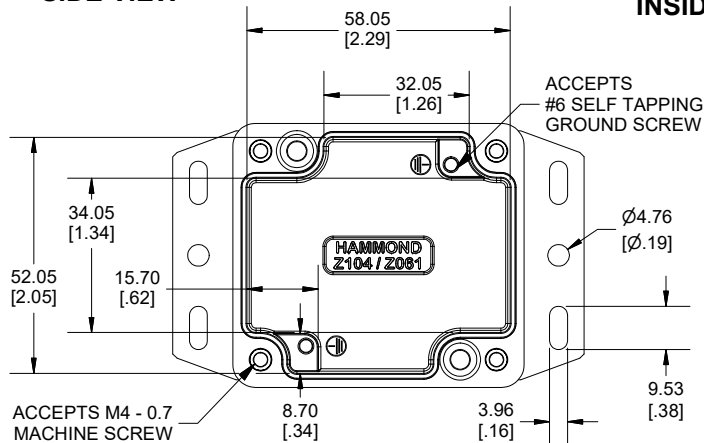
Enclosures can be Factory Modified (Milling, Drilling, Printing etc.)
 Contact Factory (modshop@hammfg.com) for quotes
 Solid models of this enclosure available in .stp or .x_t
 (Part number and text placement/orientation on our products are subject to change,
 we do not recommend using them as a locating reference for modification purposes)



**SECTION B-B
SIDE VIEW**



INSIDE LID



INSIDE BOX

NOTE	
Purchased assembly includes box, lid, silicone gasket, and 4 cover screws. Box and lid are made from Diecast Aluminum Alloy. Bottom flange is welded.	
Recommended Cover screw torque 5-7.5 lbf.in (50 -75 cN.m)	
PART NUMBERS	
1550Z104 Flange Enclosure	
Natural Finish Enclosure	1550Z104F
Black Textured Enclosure	1550Z104FBK
ACCESSORIES	
Stainless Steel Cover screws [M4 - 0.7 x 20mm] (50 Pack)	SC1550Z103-50
Ground Hardware (50 Pack) #6 Phos. Bronze plate Lock Washer #6-32 x 5/16 Copper plate Self-Tapping screw	SCG060-50
Pre-Formed Silicone Gasket (2 Pack)	1550Z104GASKET

Dimensions:
mm
[inches]

HAMMOND
 1550Z104F
 www.hammondmfg.com