

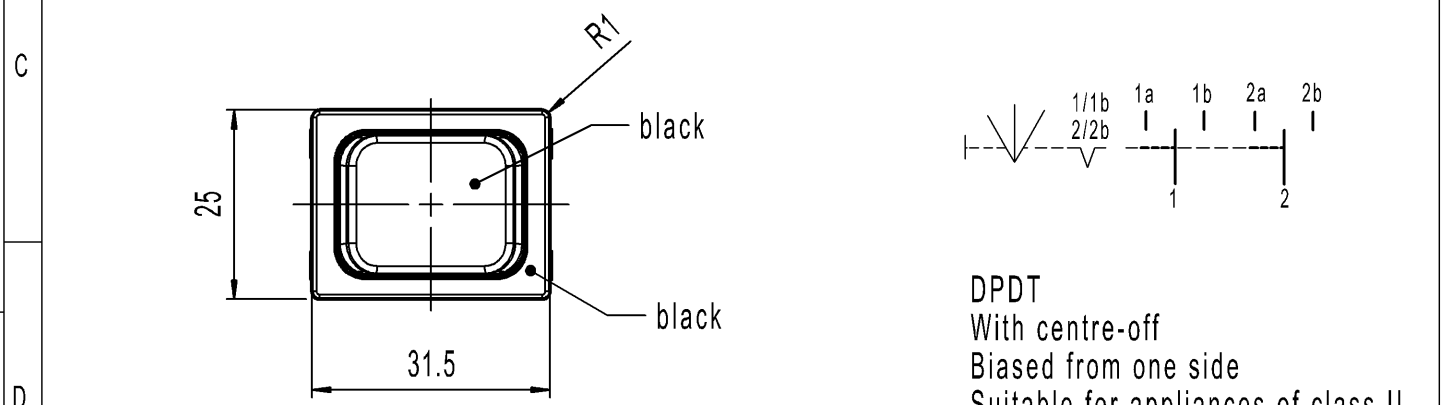
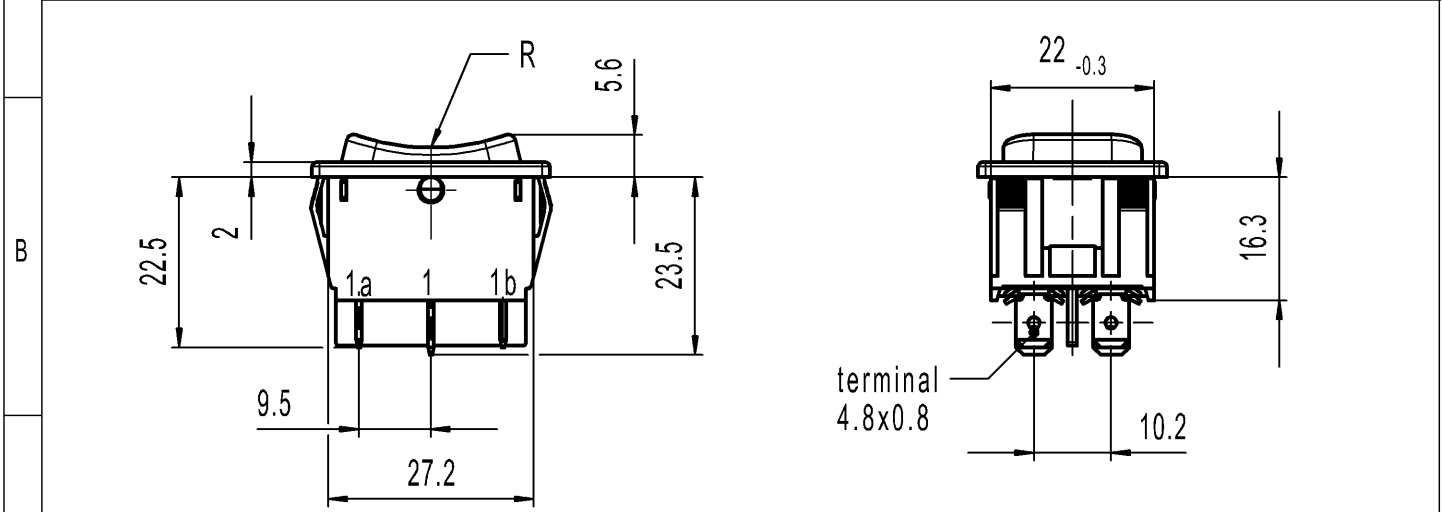
CONFIDENTIAL

VERTRAULICH

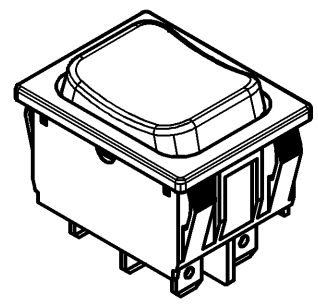
THIS DRAWING IS THE EXCLUSIVE PROPERTY OF MARQUARDT. WITHOUT THEIR CONSENT IT MAY NOT BE REPRODUCED OR GIVEN TO THIRD PARTIES.

Alle Rechte bei Marquardt, auch fuer den Fall von Schutzrechtsanmeldungen. Jede Verfuugungsbezugnis, wie Kopier- und Weitergaberecht, bei uns.

A	recommended cut-out for snap-in fixing (edge opposite to snap-in direction)	1	2	3	4
		wall thickness	length of cut-out	width of cut-out	
		0.75 to 1.25	30 -0.1	22+0.2	
		1.25 to 2	30.2 -0.1	22+0.2	
		2 to 3	30.6 -0.1	22+0.2	



DPDT  
With centre-off  
Biased from one side  
Suitable for appliances of class II



Marking

Ⓜ  
1839.  
6(4)/250~T105/55



6A 125-250V AC  
1/8 HP  
R58

Code of manufacture: place/year/week

-	-	-	1839.1602-XX
Figure	Type	Customer Part No.	Art.No.-PI
Shape and location	Angle ± 2 °	Sheet 01	Ident. K
	Edge tolerance	Format DIN A4	Document number 18391602
⊙ ≡		Projection	Index h
		Scale 1:1	Appliance Switch
h	141196	All dimensions are in millimetres	
g	64508	System NX V1899	
f	29987	Replacement of	
e	24370	Zg.gl.Nr.v.25.11.1996	
Index	MEC-No.	Date (YYYY-MM-DD)	Edited by

