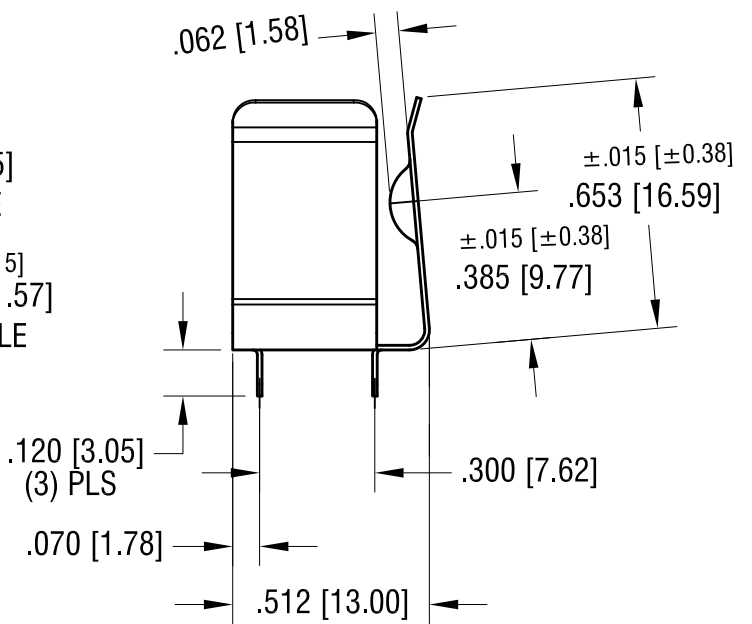
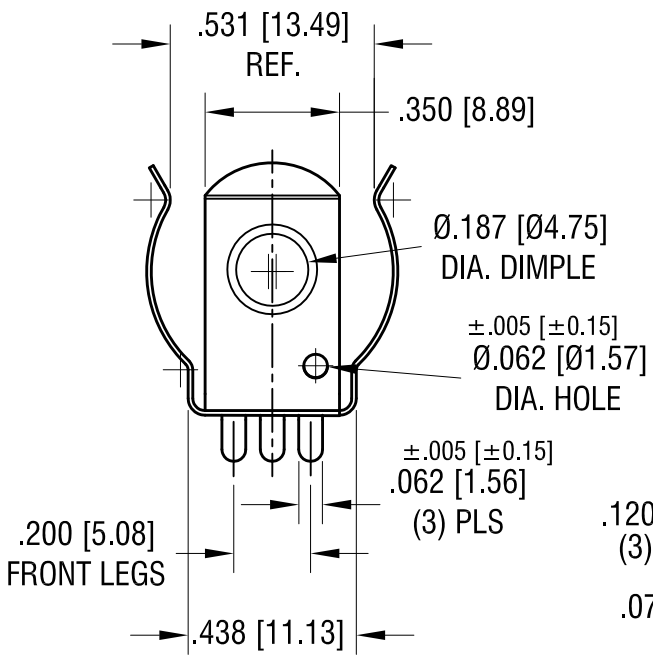
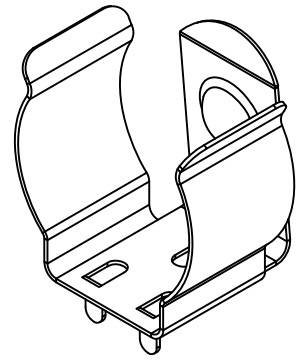
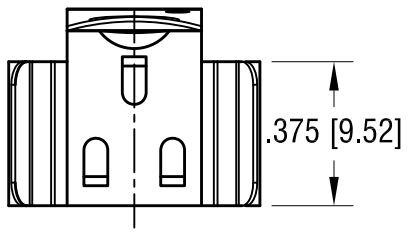
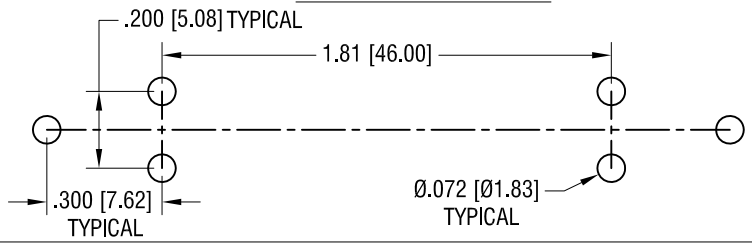


THIS DOCUMENT IS THE PROPERTY OF KEYSTONE ELECTRONICS CORP. AND SHALL NOT BE REPRODUCED, DISTRIBUTED OR USED AS A BASIS FOR MANUFACTURE WITHOUT PRIOR WRITTEN PERMISSION FROM KEYSTONE ELECTRONICS CORP.

MOUNTING LAYOUT FOR 18mm x 65mm BATTERY



NOTE:

- 1. HEAT TREAT TO SPRING TEMPER

PCB PROTECTION CIRCUITS ARE REQUIRED WHEN USED WITH LITHIUM-ION BATTERIES

11.9.10	CHANGE AS PER ECN 10-079	B
8.16.10	CHANGE AS PER ECN 10-060	A
DATE	DESCRIPTION	REV.

KEYSTONE ELECTRONICS CORP.			
www.keyelco.com • ASTORIA, N.Y. 11105-2017 • Tel (718) 956-8900			
PART NAME		18mm PC BATTERY CLIP	
MATERIAL		.012 [0.30] TH'K ANNEALED SPRING STEEL	
FINISH		DRN BY	DATE
TIN NICKEL PLATE		NT	5.04.09
		APP'D	SCALE
TOLERANCES INCH [MM]		LN	2X
		DWG NO.	
DECIMAL	± .010 [± 0.25]	CODE	54
ANGULAR	± 1°	C	
UNLESS OTHERWISE SPECIFIED			