

Data sheet Product SK 456 20 1 x M3 L

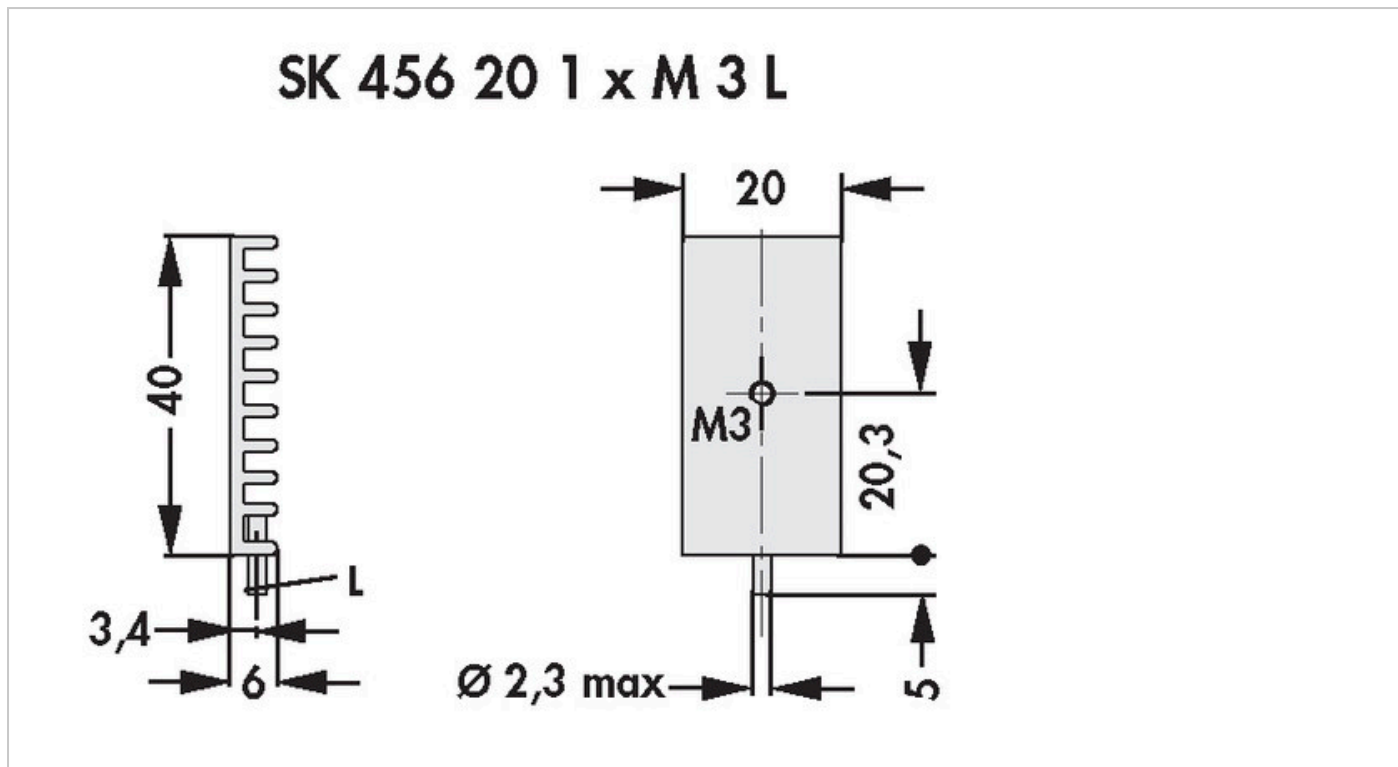


Profile heatsinks and liquid coolers>Extruded heatsinks for PCB mounting
40 x 6 mm, for transistor-design TO 218, TO 220, TO 247, TO 3 P

Features

way of fixation:	transistor screw mounting
width:	6 mm
height:	40 mm
plate thickness:	1.8 mm
length:	20 mm
thermal resistance:	13 K/W
drilling pattern:	<ul style="list-style-type: none">• TO 218• TO 220• TO 247• TO 248• TO 3 P
surface:	black anodised

Technical Drawing



Fischer Elektronik GmbH & Co. KG
DEUTSCHLAND • GERMANY • ALLEMAGNE

Nottebohmstraße 28
58511 Lüdenscheid

Telefon +49 2351 435-0
Telefax +49 2351 45754

info@fischerelektronik.de
www.fischerelektronik.de