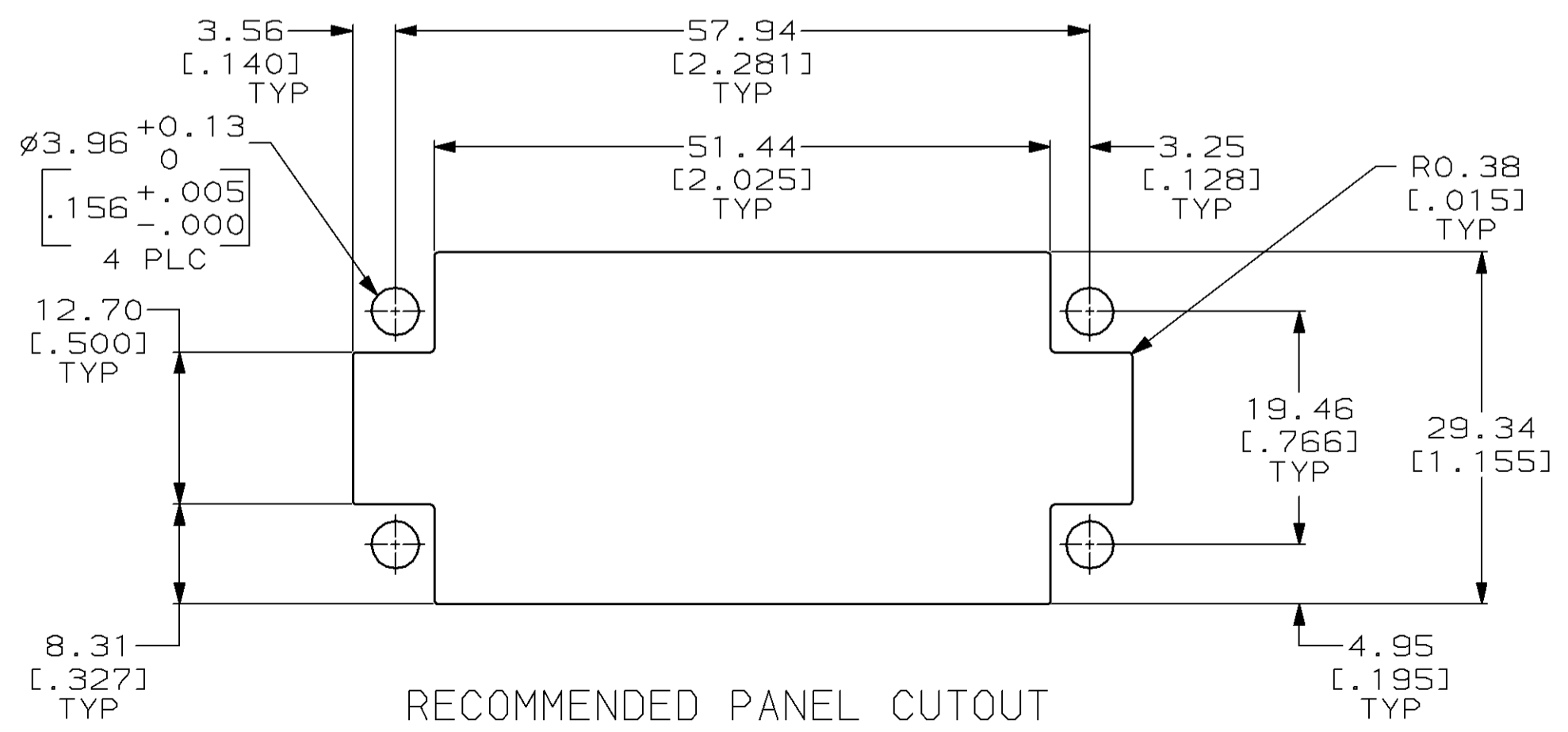
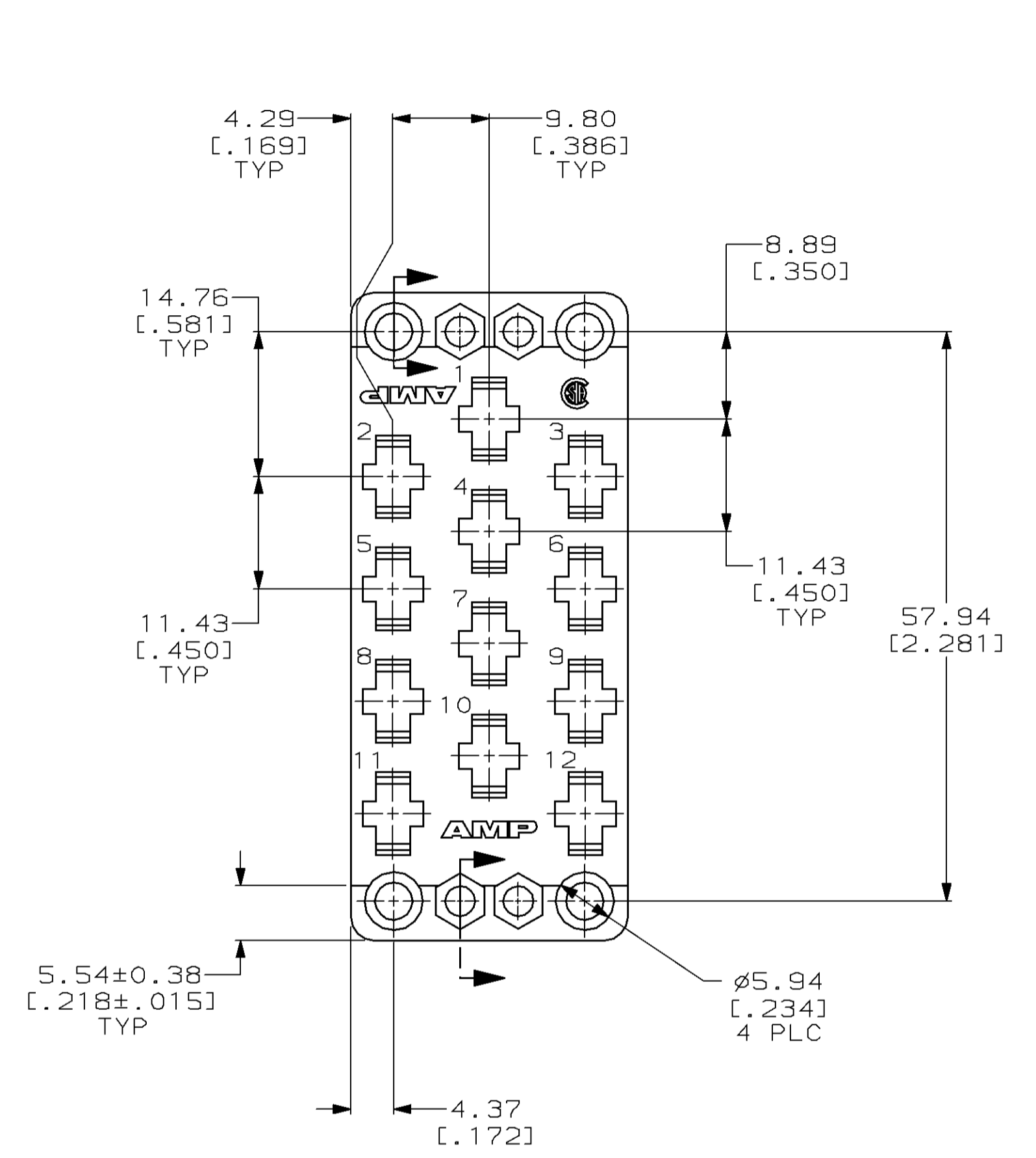
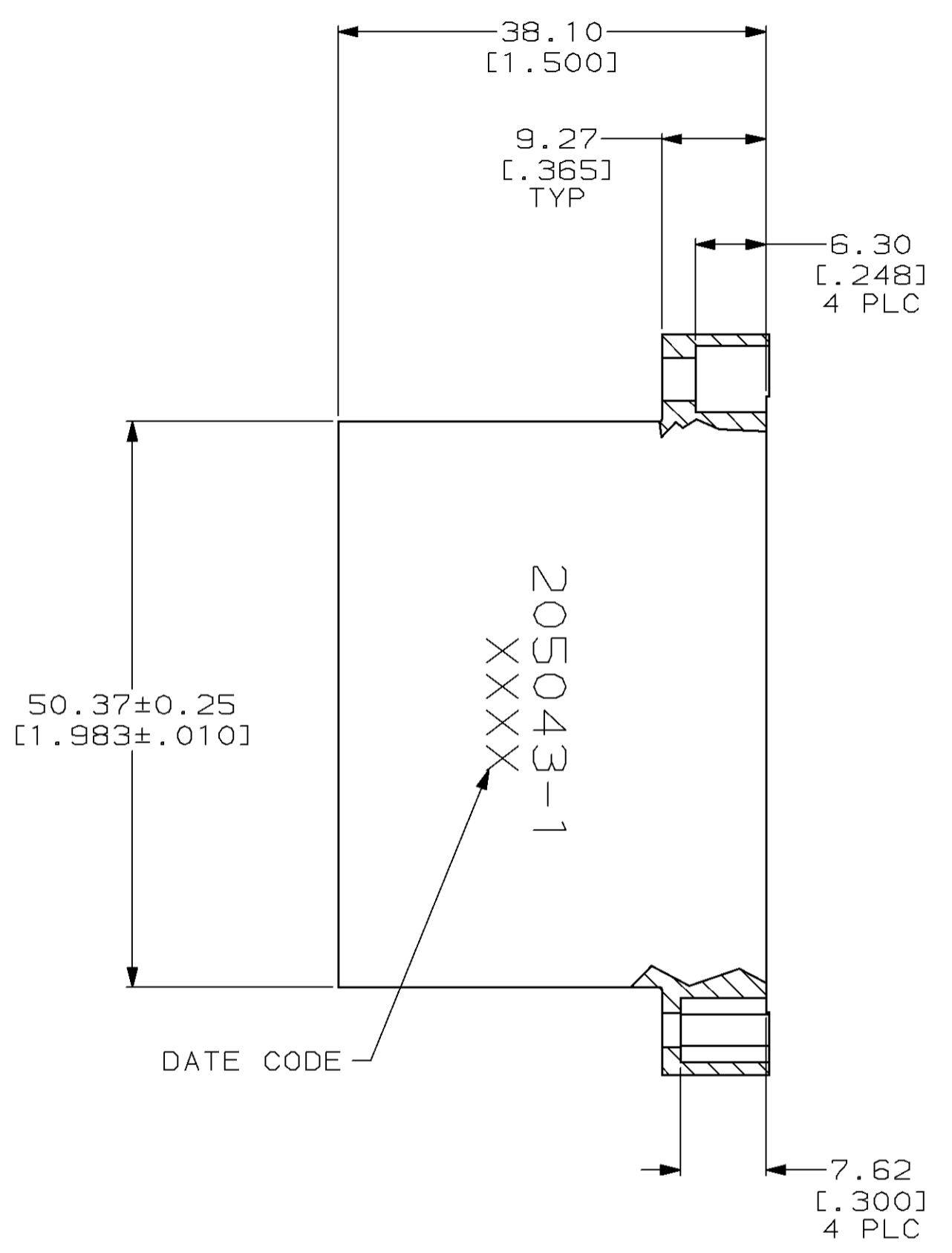
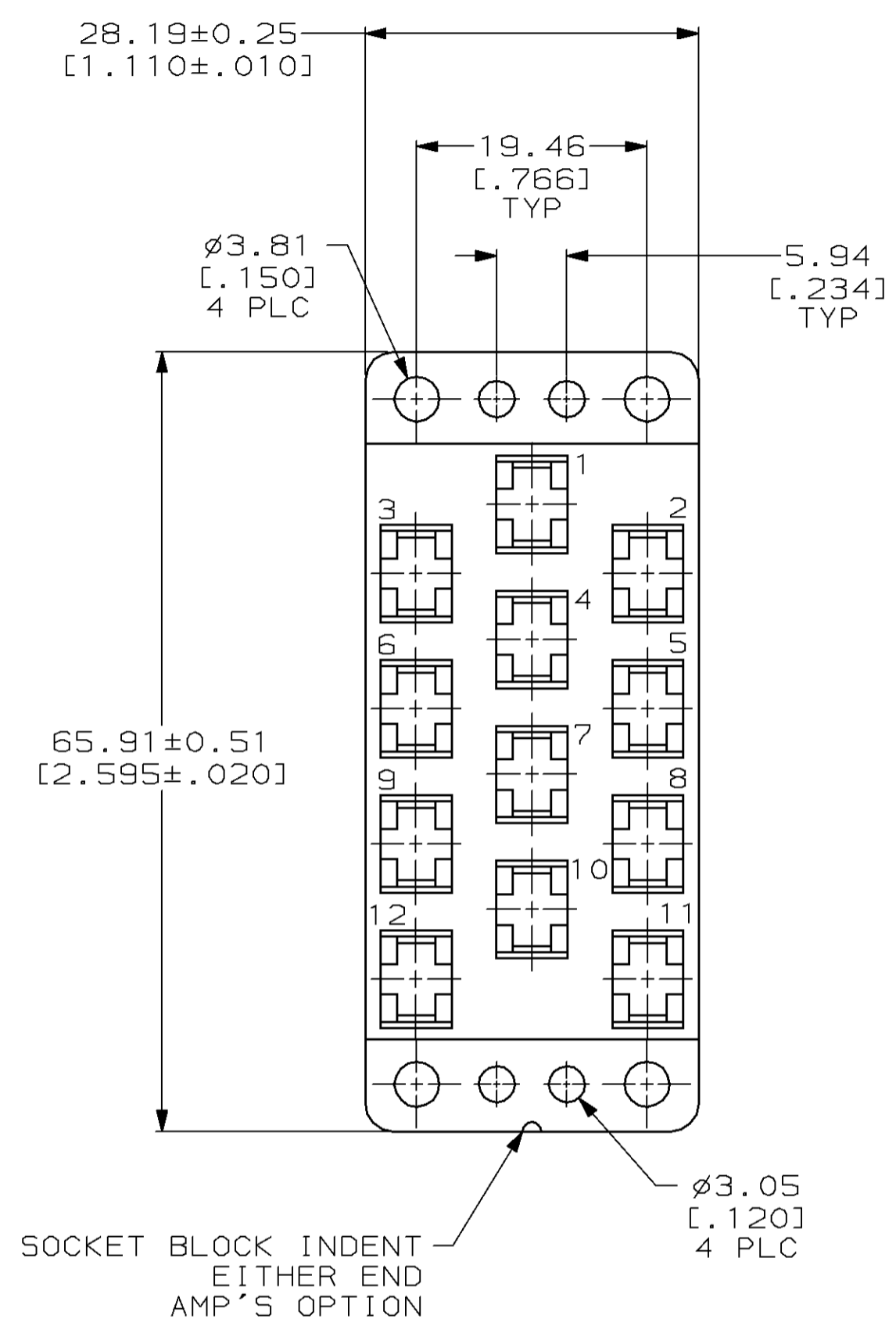


THIS DRAWING IS UNPUBLISHED. RELEASED FOR PUBLICATION
 © COPYRIGHT 19 BY AMP INCORPORATED. ALL RIGHTS RESERVED.

Loc		DIST		REVISIONS			
P	LTR	DESCRIPTION		DATE	DWN	APVD	
FT	8	A		REDRAWN W/O CHANGE PER EC 0020-1299-95	12 MAR 96	-	-



- 1. PHENOLIC PER MIL-M-14, TYPE CFG, BLACK.
- 2. MATES WITH BLOCK 205042.

205043-1
 PART NUMBER

THIS DRAWING IS A CONTROLLED DOCUMENT.		DWN C. REIFSNYDER 12 MAR 96	AMP Incorporated Harrisburg, PA 17105-3608
DIMENSIONS: mm [INCHES]		CHK R. STONE 15 MAR 96	
TOLERANCES UNLESS OTHERWISE SPECIFIED:		APVD G.A. STEINHAUER 25 JUN 96	NAME BLOCK, FEMALE, 12 PLACE, FOR TYPE XII CONTACTS, M SERIES
0 PLC ± 1 PLC ± 2 PLC ±0.13 [.005] 3 PLC ± 4 PLC ±		PRODUCT SPEC -	SIZE A2
ANGLES ± FINISH -		APPLICATION SPEC -	CAGE CODE 00779
MATERIAL △		WEIGHT -	DRAWING NO C-205043
		CUSTOMER DRAWING	SCALE 2:1
			SHEET 1 OF 1
			REV A