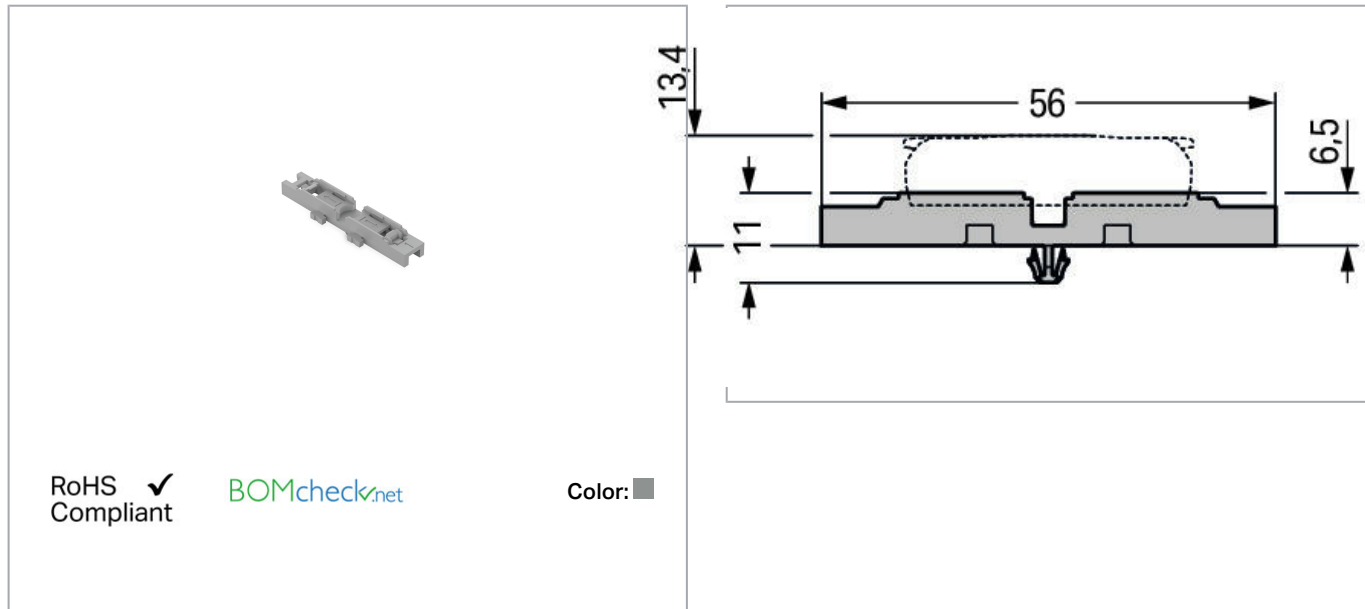


Data sheet | Item number: 221-2531 **NEW**

Mounting carrier; 1-way; for inline splicing connector with lever; with snap-in mounting foot; gray



[www.wago.com/221-2531](http://www.wago.com/221-2531)



**Data**

**Physical data**

Width	11.8 mm / 0.465 inch
Height from the surface	6.5 mm / 0.256 inch
Depth	56 mm / 2.205 inch

**Material data**

Color	gray
Weight	1.6 g

**Commercial data**

Packaging type	BOX
Country of origin	CN
GTIN	4055144066593
Customs tariff number	39269097900

Subject to changes. Please also observe the further product documentation!

WAGO Kontakttechnik GmbH & Co. KG  
Hansastr. 27  
32423 Minden  
Phone: +49571 887-0 | Fax: +49571 887-169  
Email: [info.de@wago.com](mailto:info.de@wago.com) | Web: [www.wago.com](http://www.wago.com)

Do you have any questions about our products?  
We are always happy to take your call at +49 (571) 887-44222.


## Compatible products


### Marking accessories

	<b>Item no.: 210-334</b> Marking strips; as a DIN A4 sheet; Strip width 5 mm; Strip length 182 mm; plain; Self-adhesive; white	<a href="http://www.wago.com/210-334">www.wago.com/210-334</a>
--	---	--

### assembling

	<b>Item no.: 209-119</b> Fixing screw; for 209-120 mounting carrier	<a href="http://www.wago.com/209-119">www.wago.com/209-119</a>
--	--	--

	<b>Item no.: 209-120</b> Mounting foot; can be snapped on terminal blocks with snap-in mounting foot; for mounting on relay-modules; 6.4 mm wide; gray	<a href="http://www.wago.com/209-120">www.wago.com/209-120</a>
--	---	--

	<b>Item no.: 209-123</b> Mounting foot with screw; can be screwed on terminal blocks with fixing flange; 6.4 mm wide; gray	<a href="http://www.wago.com/209-123">www.wago.com/209-123</a>
--	---	--

## Downloads

### Documentation

#### Additional Information

Technical explanations	3. 4. 2019	pdf 2.2 MB	Download
------------------------	------------	---------------	----------

## Environmental Product Compliance

### Compliance Search

Environmental Product Compliance 221-2531 Mounting carrier; 1-way; for inline splicing connector with lever; with snap-in mounting foot; gray	URL	Download
--	-----	----------

## Installation Notes

Subject to changes. Please also observe the further product documentation!