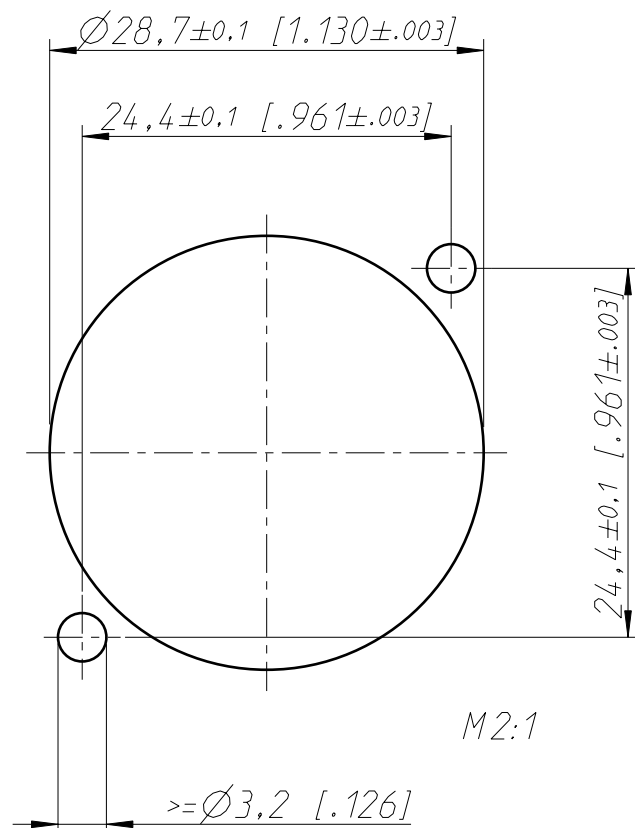
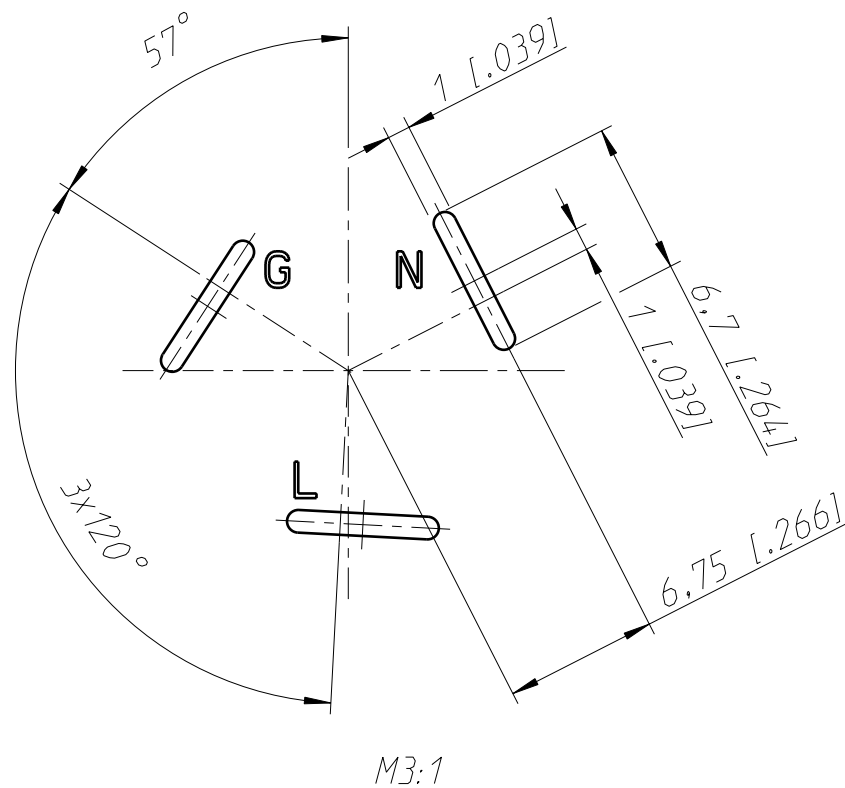


Frontplattenausschnitt Rückseite
panel cutout rearside



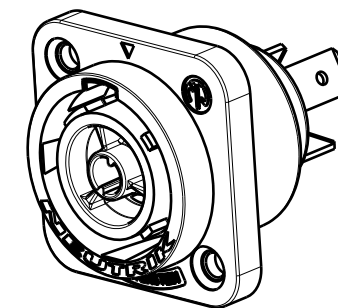
M2:1

Leiterplatten Layout Bestückungsseite
PCB-Layout (component side)
Toleranz: ±0.05 [0.002]



M3:1

APPLIANCE OUTLET!



M1:1

General tolerances ISO 2768-m		Scale	Date	Name
Refer to protection notice ISO 16016.		2:1 (A3)	03.05.18	Ender
Name		powerCON TRUE1 TOP	Modified	-
NAC3FPX-WOT-TOP		-	Change-No.	Sheet-No.
NEUTRIK		-	1 / 1	-
Replacement for:		Drawing-No.		
ST-NAC3FPX-WOT-TOP				