

4

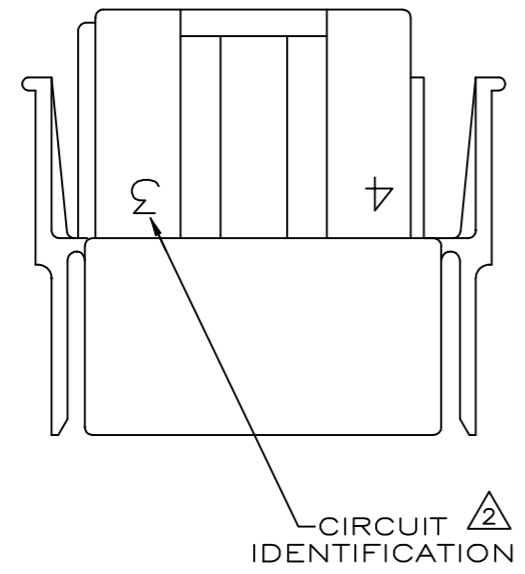
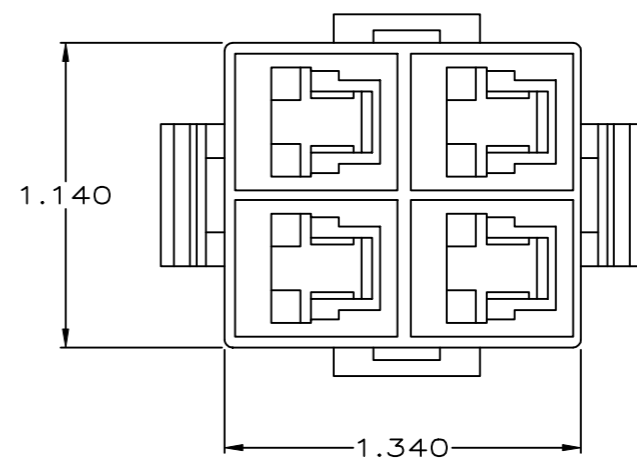
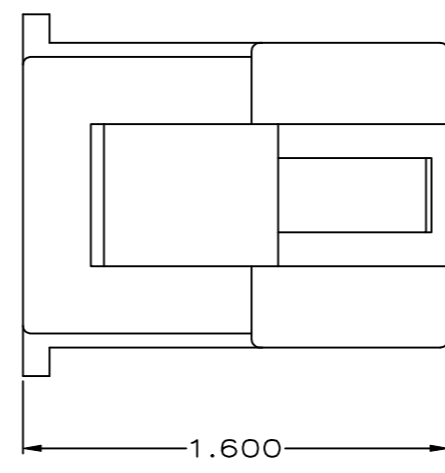
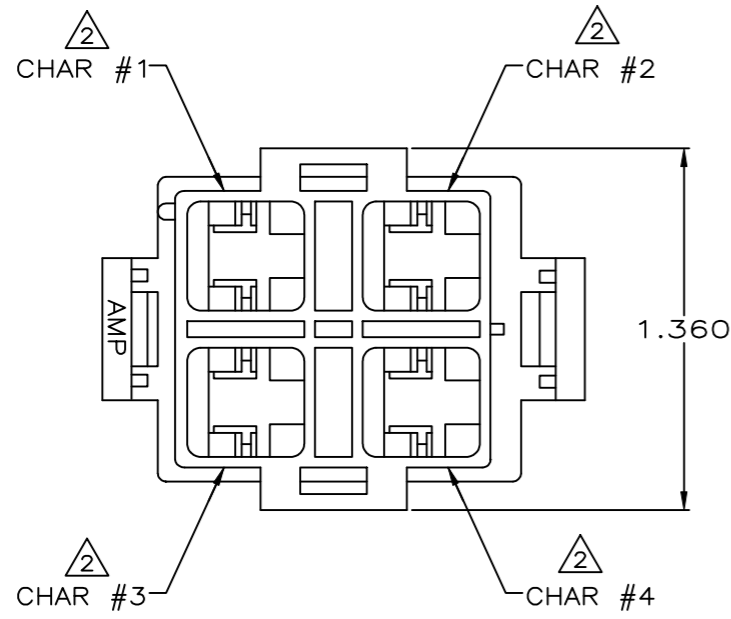
3

2

1

THIS DRAWING IS UNPUBLISHED. RELEASED FOR PUBLICATION
 © COPYRIGHT - By - ALL RIGHTS RESERVED.

REVISIONS					
P	LTR	DESCRIPTION	DATE	DWN	APVD
N2		REVISED PER ECO-11-005027	11MAR11	RK	HMR
P		REVISED PER ECO-18-019629	17DEC2018	RS	MZ
R		REVISED PER ECO-19-000322	11JAN2019	RS	MZ



- 1. ACCEPTS TERMINALS 350650 AND 350651.
- △2 CHARACTERS 3 AND 4 MARKED ON NEAR SURFACE AS SHOWN, CHARACTERS 1 AND 2 MARKED ON OPPOSITE SIDE.
- △3 PA 6/66, UL 94V-0 RATED, BLACK
- △4 NYLON, 94V-2 RATED, BLACK.
- △5 OBSOLETE PARTS: OBSOLETE CIS STREAMLINING PER D.RENAUD/D.SINISI

△5 OBSOLETE	△2	△4	643267-3
	△3		643267-1
CIRCUIT IDENTIFICATION		MAT'L	PART NUMBER

THIS DRAWING IS A CONTROLLED DOCUMENT.		DWN R.SHIREY 05/15/91	STE TE Connectivity Ltd.	
		CHK R.STONE 5-22-91		
DIMENSIONS: INCHES		APVD R.WALTER 5-22-91	NAME	
		PRODUCT SPEC		CAP, HIGH CURRENT, 4 CIRCUIT
		APPLICATION SPEC		
MATERIAL SEE TABLE		FINISH -	WEIGHT -	SIZE A2
		CAGE CODE 00779		DRAWING NO C-643267
CUSTOMER DRAWING			SCALE 2:1	SHEET 1 of 1
			REV R	

643267

B

A