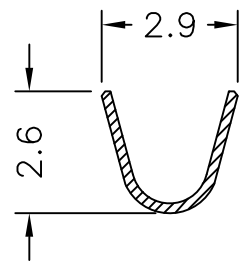
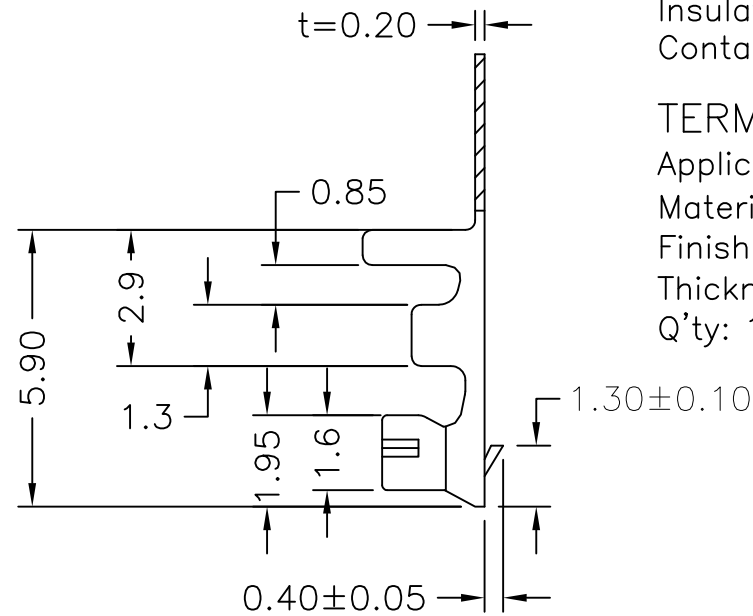
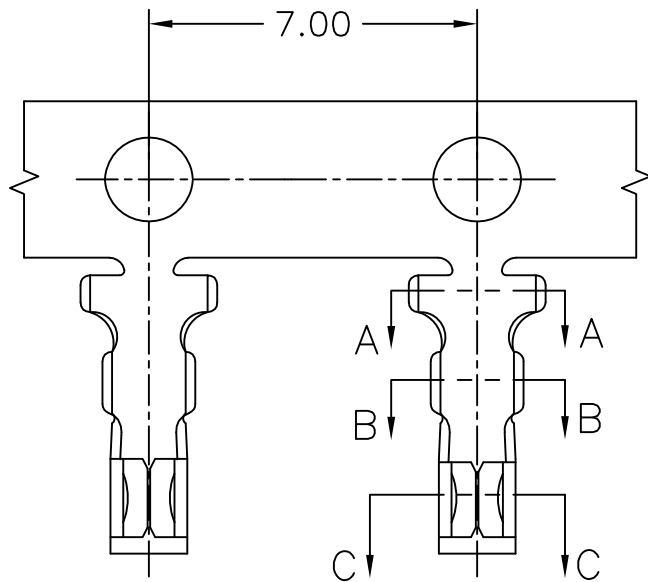


# SPECIFICATION

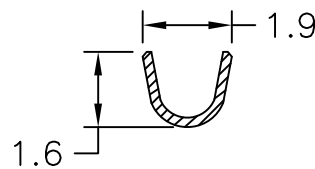
Voltage Rating: 250V AC/DC  
 Current Rating: 3A AC/DC  
 Withstanding Voltage: 800V AC/minute  
 Insulation Resistance: 1000MΩmin  
 Contact Resistance: 20mΩmax

# TERMINAL

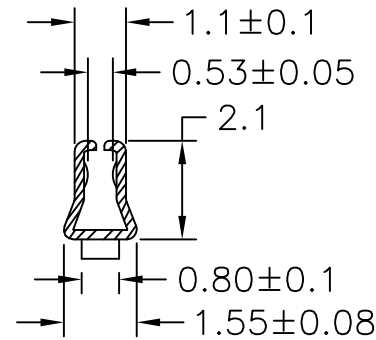
Applicable Wires: AWG#22~28  
 Material: Phos.Bronze  
 Finish: Tin plated  
 Thickness: 0.20mm  
 Q'ty: 10,000pcs./Reel



A-A SEC




B-B SEC



C-C SEC

755-7 0-T 00006  
 1 2 3

1. 7: Green Product
2. T: Tin plated
3. Pinrex internal code.

				TOLERANCE		UNITS : mm		OLD PART NO.		TITLE		 频锐科技股份有限公司 PINREX TECHNOLOGY CORP.	
				.0 =±.30 .00 =±.20 .000 =±.XXX .0000=±. ANG.=±3'		SCALE NONE SIZE A4		DRAWER 胡雨婷 CHECK		2.50mm Crimp Style Connectors Terminal			
A	RELEASE	2013/08/08						SHEET 1 OF 1 REV. A APP'D		NEW PART NO. 755-70-T00006		DRAW NO. 755-70-T00006	
REV.	DESCRIPTION	DATE											