

SPECIFICATIONS

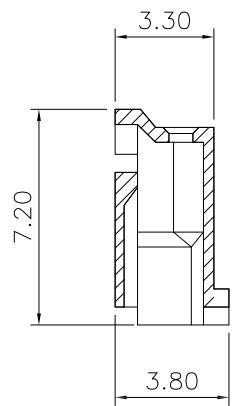
Current Rating: 3A AC/DC
 Insulation Resistance: 1000MΩmin
 Temperature Range: -25°C to +85°C
 Contact Resistance: 20mΩmax
 Withstanding Voltage: 1000V AC/minute

HOUSING

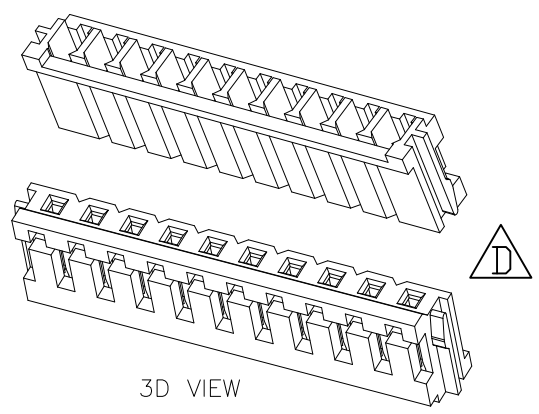
Material: Nylon 66 UL94V-0
 Q'ty: 1,000 pcs./Bag

755-7 5-xx W 006
 1 2 3 4

- 7: Green Product
- No. of contacts per row
- S: Crystal insulator
W: White insulator
- Pinrex internal code.



SECTION A-A



3D VIEW

Poles	Dimensions(mm)		
	A	B	C
2	2.50	7.00	5.40
3	5.00	9.50	7.90
4	7.50	12.00	10.40
5	10.00	14.50	12.90
6	12.50	17.00	15.40
7	15.00	19.50	17.90
8	17.50	22.00	20.40
9	20.00	24.50	22.90
10	22.50	27.00	25.40
11	25.00	29.50	27.90
12	27.50	32.00	30.40
13	30.00	34.50	32.90
14	32.50	37.00	35.40
15	35.00	39.50	37.90

REV.	DESCRIPTION	DATE
D	增加3D视图	2022/04/26
C	修改描述	2018/09/14
B	依廠商圖修改圖面	2018/02/23
A	RELEASE	2013/08/08

TOLERANCE

.0	=±.30
.00	=±.20
.000	=±.10
.0000=±.	
ANG.=±3'	

UNITS : mm

SCALE	NONE
SIZE	A4

OLD PART NO.		TITLE	
DRAWER	李孟瑶	CHECK	李剑
SHEET	1 OF 1	APP'D	李剑
REV.	D	NEW PART NO.	755-75-xxW006

TITLE		DRAW NO.	
2.50mm Wire to Board Hosing		755-75-xxW006(D版)	

频锐科技股份有限公司
 PINREX TECHNOLOGY CORP.
 DRAW NO. 755-75-xxW006(D版)