

**FEATURE AND SPECIFICATIONS**

SIZES 60 PIN.  
 FOR 0.3mm THICKNESS FFC/FPC.  
 VOLTAGE: 50V MAX.  
 CURRENT: 0.5A MAX.  
 CONTACT RESISTANCE: 20 milliohms MAX.  
 INSULATION RESISTANCE: 50 Megohms MIN.  
 DIELECTRIC WITHSTANDING VOLTAGE: 250V AC.  
 TEMPERATURE: -40°C TO 85°C  
 MATERIAL AND FINISH  
 HOUSING: PA-46 UL 94V-0.  
 ACTUATOR: PPS UL 94V-0.  
 CONTACT: PHOSPHOR BRONZE.  
 HOLDDOWN: BRASS. PLATING: 100u" TIN, OVER 50u" NI

PRODUCT NUMBER:  
 311A-XX U A A-R  
 1 2 3 4

- 1.Pin count  
03~60 Pin
- 2.Contact  
U:Upper Contact
- 3.Plating  
A:Tin
- 4.Packing  
A:Reel

RECOMMENDED PCB LAYOUT

						UNLESS OTHERWISE SPECIFIED TOLERANCE			 <a href="http://www.attend.com.tw">www.attend.com.tw</a>		
						ANGLES	ANG.	±5°			
						LINEAR	0.	±0.3			
							0.00	±0.25			
						SCALE	AS SHOWN	UNIT: mm			
						DRAWN	Willis	2012/08/03	DRAWN NAME: FPC Connector Pitch:0.5mm H:2.0mm Upper Contact Type		
						CHECKED	Angel	2012/08/03			
						APPROVED	Ken	2012/08/03	PRODUCT NO.	311A-XXUAA-R	
REV.	DESCRIPTION	DATE	REV.	DESCRIPTION	DATE	 SIZE A4		REV.	1.0	FILE NAME	311A-XXUAA-R_B_1
1			4								

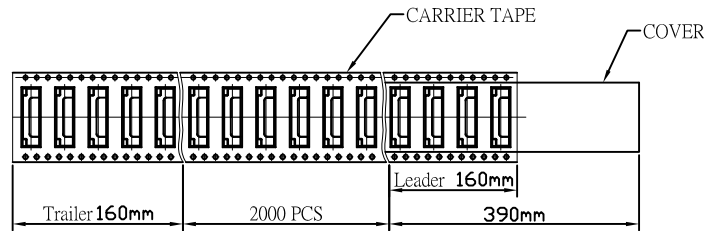
△: the pins that are with mold and under mass production

	PIN	A	B	C	D	E
△	3	8.10	1.00	6.10	2.11	7.70
△	4	8.60	1.50	6.60	2.61	8.20
	5	9.10	2.00	7.10	3.11	8.70
	6	9.60	2.50	7.60	3.61	9.20
△	7	10.10	3.00	8.10	4.11	9.70
△	8	10.60	3.50	8.60	4.61	10.20
	9	11.10	4.00	9.10	5.11	10.70
△	10	11.60	4.50	9.60	5.61	11.20
△	11	12.10	5.00	10.10	6.11	11.70
△	12	12.60	5.50	10.60	6.61	12.20
	13	13.10	6.00	11.10	7.11	12.70
△	14	13.60	6.50	11.60	7.61	13.20
△	15	14.10	7.00	12.10	8.11	13.70
	16	14.60	7.50	12.60	8.61	14.20
	17	15.10	8.00	13.10	9.11	14.70
	18	15.60	8.50	13.60	9.61	15.20
△	19	16.10	9.00	14.10	10.11	15.70
	20	16.60	9.50	14.60	10.61	16.20
	21	17.10	10.00	15.10	11.11	16.70
	22	17.60	10.50	15.60	11.61	17.20
	23	18.10	11.00	16.10	12.11	17.70
△	24	18.60	11.50	16.60	12.61	18.20
	25	19.10	12.00	17.10	13.11	18.70
△	26	19.60	12.50	17.60	13.61	19.20
△	27	20.10	13.00	18.10	14.11	19.70
△	28	20.60	13.50	18.60	14.61	20.20
△	29	21.10	14.00	19.10	15.11	20.70
△	30	21.60	14.50	19.60	15.61	21.20

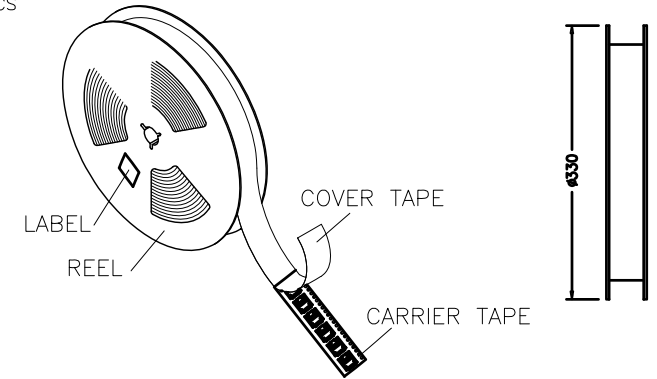
	PIN	A	B	C	D	E
△	31	22.10	15.00	20.10	16.11	21.70
△	32	22.60	15.50	20.60	16.61	22.20
	33	23.10	16.00	21.10	17.11	22.70
△	34	23.60	16.50	21.60	17.61	23.20
	35	24.10	17.00	22.10	18.11	23.70
△	36	24.60	17.50	22.60	18.61	24.20
△	37	25.10	18.00	23.10	19.11	24.70
△	38	25.60	18.50	23.60	19.61	25.20
	39	26.10	19.00	24.10	20.11	25.70
△	40	26.60	19.50	24.60	20.61	26.20
	41	27.10	20.00	25.10	21.11	26.70
	42	27.60	20.50	25.60	21.61	27.20
	43	28.10	21.00	26.10	22.11	27.70
	44	28.60	21.50	26.60	22.61	28.20
△	45	29.10	22.00	27.10	23.11	28.70
	46	29.60	22.50	27.60	23.61	29.20
	47	30.10	23.00	28.10	24.11	29.70
	48	30.60	23.50	28.60	24.61	30.20
△	49	31.10	24.00	29.10	25.11	30.70
△	50	31.60	24.50	29.60	25.61	31.20
	51	32.10	25.00	30.10	26.11	31.70
	52	32.60	25.50	30.60	26.61	32.20
	53	33.10	26.00	31.10	27.11	32.70
△	54	33.60	26.50	31.60	27.61	33.20
△	55	34.10	27.00	32.10	28.11	33.70
△	56	34.60	27.50	32.60	28.61	34.20
	57	35.10	28.00	33.10	29.11	34.70
	58	35.60	28.50	33.60	29.61	35.20
	59	36.10	29.00	34.10	30.11	35.70
△	60	36.60	29.50	34.60	30.61	36.20

						UNLESS OTHERWISE SPECIFIED TOLERANCE			 www.attend.com.tw	
						ANGLES	ANG.	±5°		
						LINEAR	0.	±0.3		
							0.00	±0.25		
						SCALE	AS SHOWN	UNIT: mm		
						DRAWN	Willis	2012/08/03	DRAWN NAME:	
						CHECKED	Angel	2012/08/03	FPC Connector Pitch:0.5mm H:2.0mm Upper Contact Type	
						APPROVED	Ken	2012/08/03	PRODUCT NO.	311A-XXUAA-R
REV.	DESCRIPTION			DATE	REV.	DESCRIPTION			DATE	FILE NAME
1					4					311A-XXUAA-R_B_1

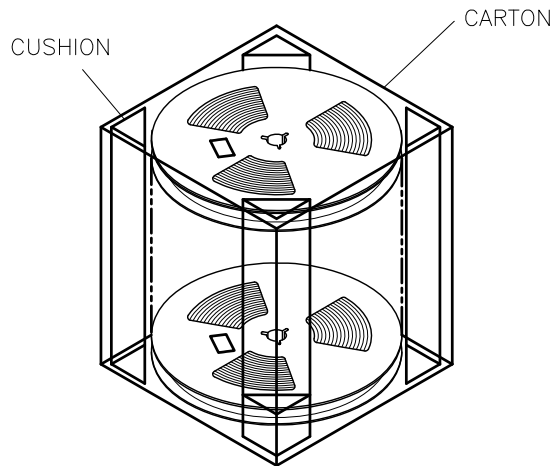
- 1-1. PUT PRODUCT IN COMPONENT AREA, FORMING OF PRODUCT IS THE SAME DIRECTION TO CARRIER TAPE.  
 1-2. SMT SURFACE TOWARDS TO THE BOTTOM.



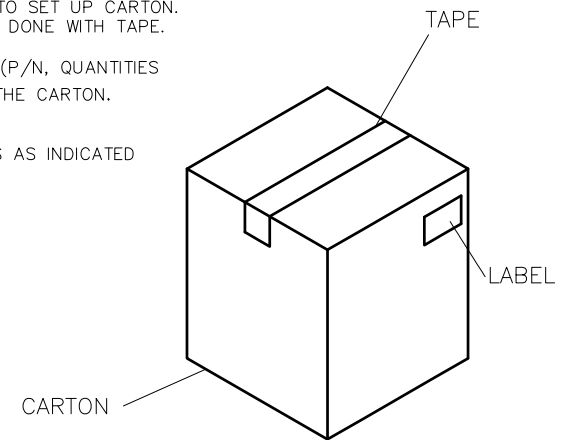
- 2-1. ADHERE OR HEAT COVER TAPE & CARRIER FOR SEALING. STICK END OF THE CARRIER ON THE HUB'S OPENING WITH TRANSPARENT TAPE.  
 2-2. LABEL MUST BE STICKED ON THE OUTSIDE OF THE REEL, NEARLY THE START POINT.  
 2-3 PARTS PER RELL 2000PCS



- 3-1. REEL FACE WITH LABEL UP.  
 3-2. PUT CUSHION INTO 4 CORNERS OF BOX. AS INDICATED IN PACKING LIST.



- 4-1. CARTON DIMENSION : 350 X 350 X 340 mm  
 4-2. STAPLES SHOULD ONLY BE USED TO SET UP CARTON. ALL CARTONS CLOSURES MUST BE DONE WITH TAPE.  
 4-3. MUST STICK THE PRODUCT LABEL (P/N, QUANTITIES & DATE ) ON THE LEFT SIDE OF THE CARTON.  
 4-4. FILL CARTON WITH THE QUANTITIES AS INDICATED IN PACKING LIST.



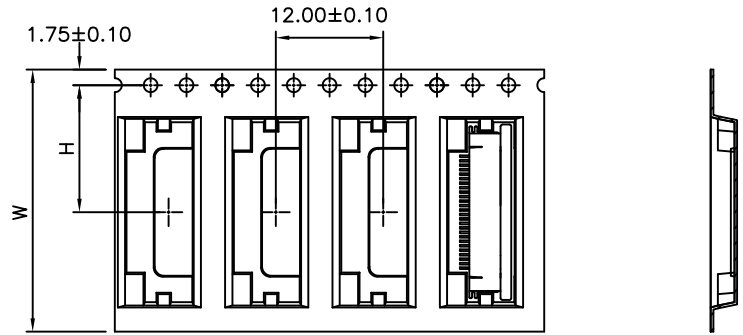
REV.	DESCRIPTION	DATE	REV.	DESCRIPTION	DATE	SIZE	REV.	FILE NAME
1			4			A4	1.0	311A-XXXAA-R_D_1
2			5					
3			6					
4			7					
5			8					
6			9					
7			10					

UNLESS OTHERWISE SPECIFIED TOLERANCE			DRAWN NAME:	
ANGLES	ANG.	±5°	FPC Connector Pitch:0.5mm H:2.0mm	
LINEAR	0.	±0.3	Upper Contact Type	
	0.0	±0.25	PRODUCT NO.	311A-XXXAA-R
	0.00	±0.20	FILE NAME	311A-XXXAA-R_D_1
SCALE	AS SHOWN	UNIT: mm	www.attend.com.tw	
DRAWN	Willis	2012/08/03		
CHECKED	Angel	2012/08/03		
APPROVED	Ken	2012/08/03		

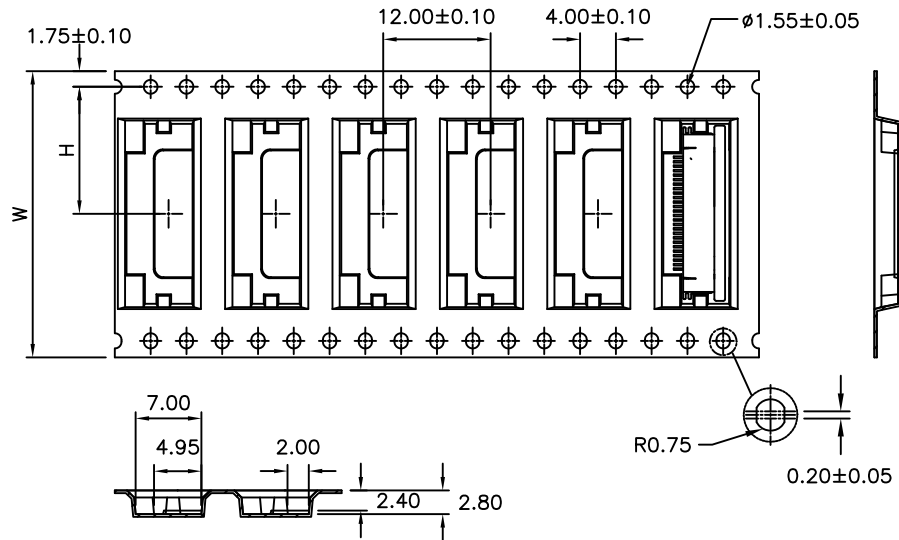


03 PIN-20 PIN

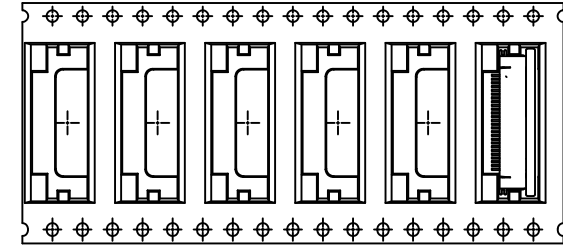


1. 10 sprocket hole pitch cumulative tolerance  $\pm 0.20$ .
2. Carrier camber is within 1 mm in 250mm.
3. Material : Black Conductive Polystyrene Alloy (UP-6100).
4. All dimensions meet EIA-481-B requirements.
5. Thickness :  $0.35 \pm 0.05$ mm.
6. Packing length per 22" reel : 75.0 Meters.
7. Components load per 13" reel : 2000 pcs.

21 PIN-60 PIN



USER DIRECTION OF FEED  $\rightleftarrows$



PIN= XX	03 — 04	05 — 20	21 — 30	31 — 50	51 — 60
W $\pm 0.30$	16.00	24.00	32.00	44.00	56.50
H $\pm 0.10$	7.50	11.50	14.20	20.20	26.20

UNLESS OTHERWISE SPECIFIED TOLERANCE		
ANGLES	ANG.	$\pm 5^\circ$
LINEAR	0.	$\pm 0.3$
	0.0	$\pm 0.25$
	0.00	$\pm 0.20$
SCALE	AS SHOWN	UNIT: mm
DRAWN	Willis	2012/08/03
CHECKED	Angel	2012/08/03
APPROVED	Ken	2012/08/03
SIZE	A4	REV. 1.0



www.attend.com.tw  
 DRAWN NAME:  
 FPC Connector Pitch:0.5mm H:2.0mm  
 Upper Contact Type  
 PRODUCT NO. 311A-XXXAA-R  
 FILE NAME 311A-XXXAA-R\_D\_1

REV.	DESCRIPTION	DATE	REV.	DESCRIPTION	DATE
1			4		
2			5		
3			6		
			7		
			8		
			9		
			10		

Revise:  
 Revise:  
 Revise:

A