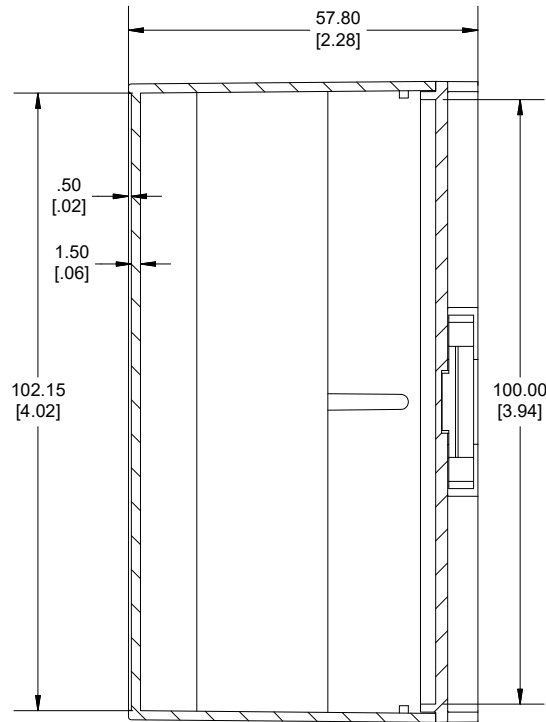
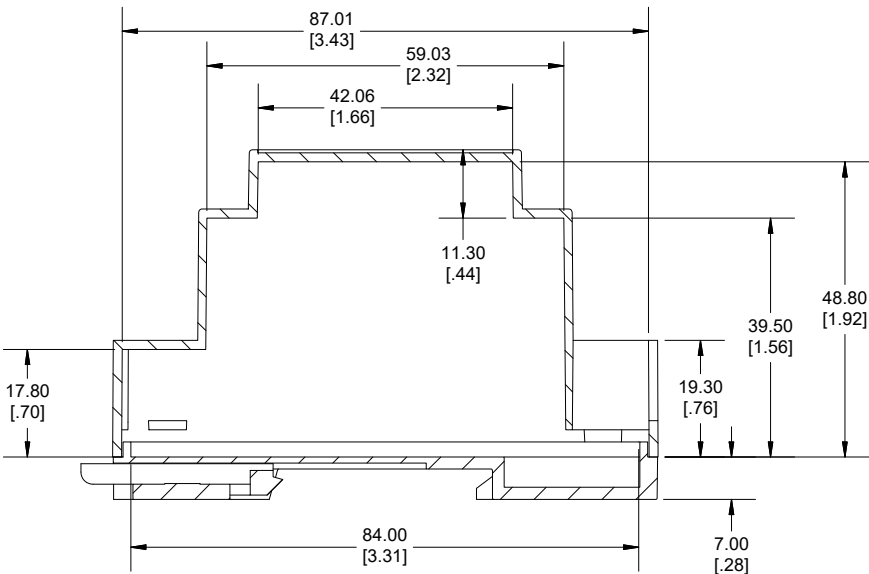


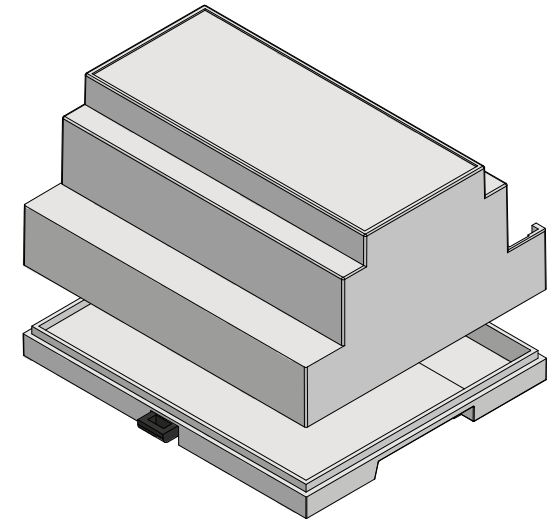
TOP VIEW



**SECTION B-B
END VIEW**



**SECTION A-A
SIDE VIEW**



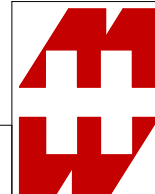
Enclosures can be Factory Modified (Milling, Drilling, Printing etc.)
 Contact Factory (modshop@hammfg.com) for quotes
 Solid models of this enclosure available in .stp or .x_t
 (Part number and text placement/orientation on our products are subject to change,
 we do not recommend using them as a locating reference for modification purposes)

NOTE	
Purchased enclosure includes base, cover and din clip.	
Cover and base made from PPO.	

PART NUMBERS	
1597DIN	
Enclosure grey Module 6	1597DIN6MC53
ACCESSORIES	
TERMINAL COVER BLANK CLOSED	1597D3MTC
TERMINAL COVER WITH HOLES	1597D3MTC6
TERMINAL COVER WITH PUNCH-OUT HOLES	1597D3MTCCKO
TERMINAL COVER WITH BUS CONNECTOR	1597D3MBC
TERMINAL COVER BLANK OPEN	1597D3MTCP
BREAD BOARD	1597D4MADP
DIN CLIP	1597DINCLIPXT

TERMINAL COVER
 DRAWINGS ARE
 AVAILABLE

Dimensions:
 mm
 [inches]



**HAMMOND
 MANUFACTURING®**
1597DIN6MC53

www.hammondmfg.com