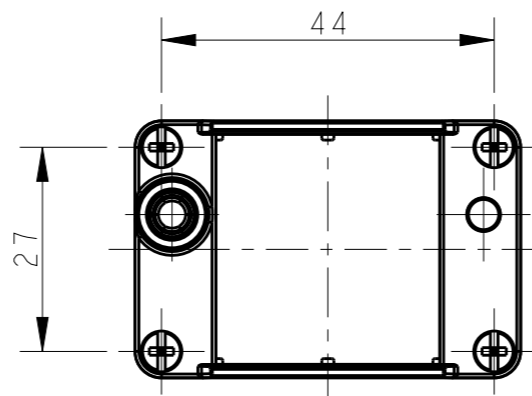
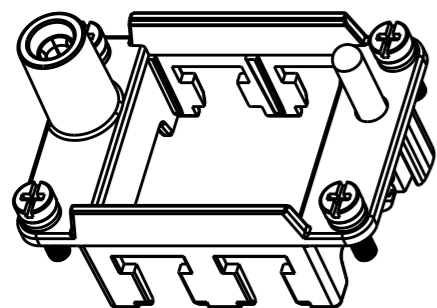


THIS DRAWING IS UNPUBLISHED. RELEASED FOR PUBLICATION 20  
 © COPYRIGHT 20 BY - ALL RIGHTS RESERVED.

REVISIONS

P	LTR	DESCRIPTION	DATE	DWN	APVD
	A	INITIAL	28FEB2015	DW	CW
	A1	ECR-16-000601	14JAN2016	DW	CW
	A2	ECR-16-017508	10DEC2016	RL	CW



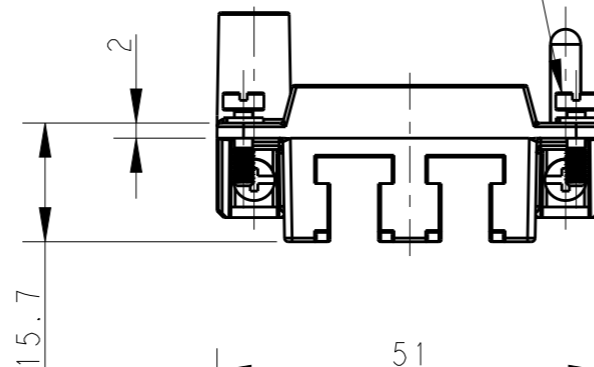
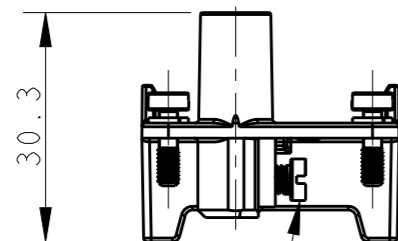
NOTES:

- 1. TECHNICAL CHARACTERISTICS:  
 FRAME MATERIAL: DIE CAST ZINC ALLOY  
 NUMBER OF MODULES: 2  
 SURFACE: ZINC PLATED  
 MATING CYCLES: 500 CYCLES

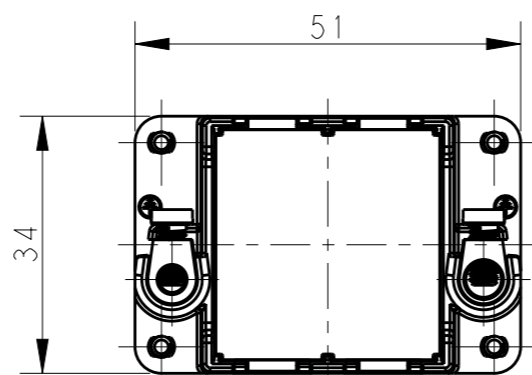
注释:

- 1. 技术参数:  
 框架材料: 锌合金  
 模块数量: 2  
 表面处理: 镀锌  
 插拔次数: 500次

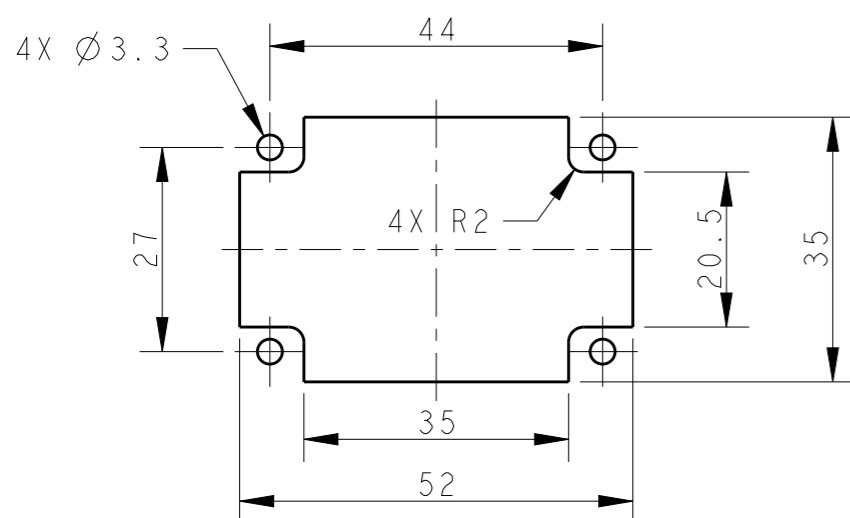
4X M3 SCREW  
 RECOMMENDED TIGHTENING TORQUE 0.5Nm  
 4X M3 螺丝推荐锁紧力矩为0.5Nm



2X M4 SCREW, RECOMMENDED TIGHTENING TORQUE 1.2Nm  
 2X M4 螺丝, 推荐锁紧力矩为1.2Nm



T2070064001-000 SHOWN ABOVE WITHOUT MARK  
 T2070064001-000, 不带标记



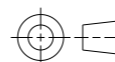
PANEL CUT FOR FRAME USE WITHOUT HOODS/ HOUSINGS

T2070064001-000	H6BN-T2	H6BN MODULE FRAME H6BN模块框架
T2070064101-000	H6BN-T2-M	H6BN MALE MODULE FRAME H6BN模块公框架
T2070064201-000	H6BN-T2-F	H6BN FEMALE MODULE FRAME H6BN模块母框架
PART NUMBER 料号	PART DESCRIPTION 描述	

THIS DRAWING IS A CONTROLLED DOCUMENT.

DIMENSIONS:  
mm

TOLERANCES UNLESS OTHERWISE SPECIFIED:



0 PLC	±0
1 PLC	±0.1
2 PLC	±0.2
3 PLC	±0.3
4 PLC ANGLES	±0.5

MATERIAL  
-

FINISH  
-

DWN	28FEB2015	DAVID WANG
CHK	28FEB2015	CHRIS WANG
APVD	28FEB2015	XIANG XU
PRODUCT SPEC	108-137057	
APPLICATION SPEC	114-137057	
WEIGHT	-	
Customer Drawing		

**STE** TE Connectivity

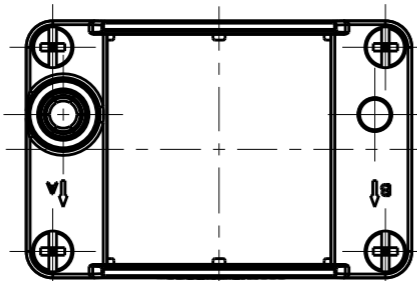
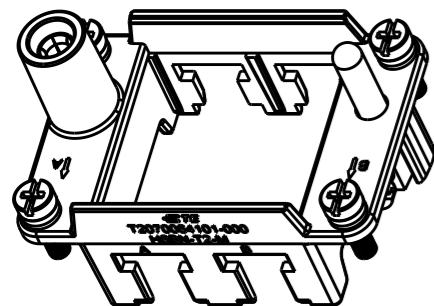
NAME: H6BN-T2

SIZE	CAGE CODE	DRAWING NO	RESTRICTED TO
A3	00779	©-T2070064001000	-

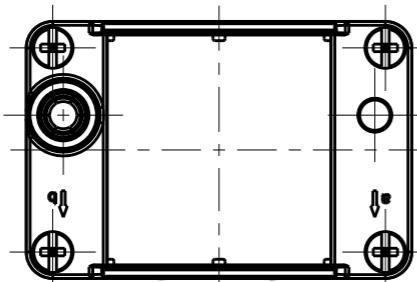
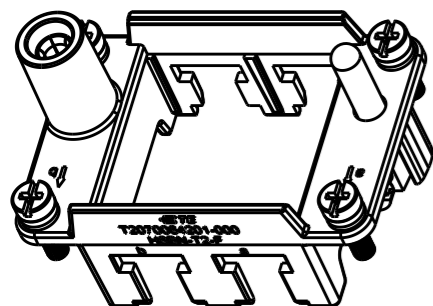
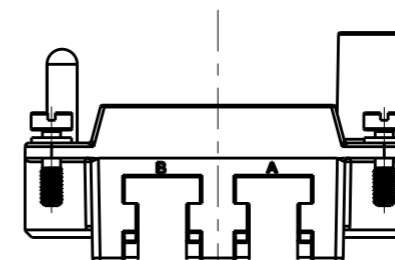
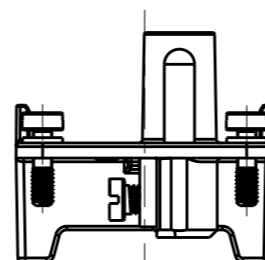
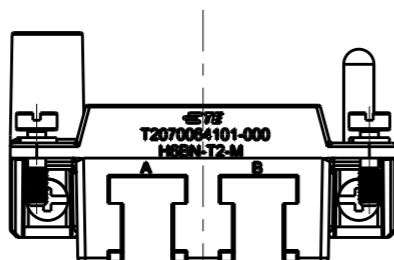
SCALE: 1:1 SHEET: 1 OF 2 REV: A2

REVISIONS

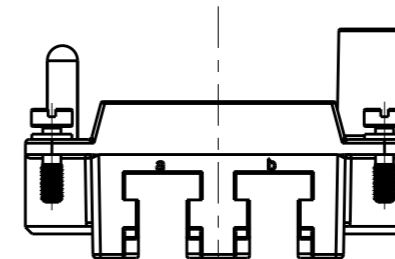
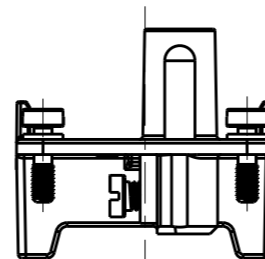
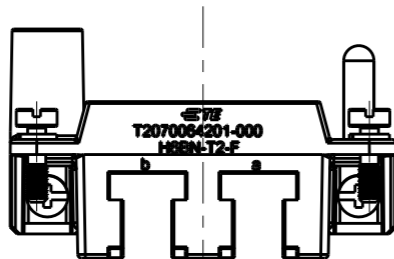
P	LTR	DESCRIPTION	DATE	DWN	APVD
-	-	SEE SHEET 1	-	-	-



T2070064101-000, H6BN-T2-M SHOWN  
 WITH MARK, ALL DIMENSIONS THE SAME TO T2070064001-000  
 T2070064101-000, H6BN-T2-M, 带标记, 所有尺寸同T2070064001-000一样



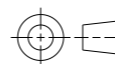
T2070064201-000, H6BN-T2-F SHOWN  
 WITH MARK, ALL DIMENSIONS THE SAME TO T2070064001-000  
 T2070064201-000, H6BN-T2-F, 带标记, 所有尺寸同T2070064001-000一样



THIS DRAWING IS A CONTROLLED DOCUMENT.

DIMENSIONS:

mm



TOLERANCES UNLESS OTHERWISE SPECIFIED:

- 0 PLC ±-
- 1 PLC ±-
- 2 PLC ±-
- 3 PLC ±-
- 4 PLC ±-
- ANGLES ±-
- FINISH -

MATERIAL

-

DWN 28FEB2015

DAVID WANG

CHK 28FEB2015

CHRIS WANG

APVD 28FEB2015

XIANG XU

PRODUCT SPEC

108-137057

APPLICATION SPEC

114-137057

WEIGHT

-

CUSTOMER DRAWING



TE Connectivity

NAME H6BN-T2

SIZE	CAGE CODE	DRAWING NO	RESTRICTED TO
------	-----------	------------	---------------

A3	00779	©-T2070064001000	-
----	-------	------------------	---

SCALE	SHEET	OF	REV
1:1	2	2	A2