

Display Elektronik GmbH

DATA SHEET

TFT MODULE

DEM 1024600I
TMH-PW-N(C-TOUCH)

10,1" TFT

+

Capacitive Touch

Product Specification

Ver.: 1

20.04.2018

Revision History

Revision	Date	Originator	Detail	Remarks
0	14.03.2018	ZDT	Initial Release	-
1	20.04.2018	ZFY	Add Weight Add Chromacity	P5 P8

Table of Contents

No.	Item	Page
1.	General Description	5
2.	Module Parameter.....	5
3.	Absolute Maximum Ratings	5
4.	DC Characteristics	6
5.	Backlight Characteristic.....	6
5.1.	Backlight Characteristic	6
5.2.	Backlighting circuit	6
6.	Touch Screen Panel Specifications.....	7
7.	Optical Characteristics	8
7.1.	Optical Characteristics.....	8
7.2.	Definition of Response Time.....	8
7.3.	Definition of Contrast Ratio	9
7.4.	Definition of Viewing Angles	9
7.5.	Definition of Color Appearance	10
7.6.	Definition of Surface Luminance, Uniformity and Transmittance.....	10
8.	Block Diagram and Power Supply	11
9.	Interface Pins Definition	12
10.	INPUT SIGNAL TIMING.....	14
10.1.	Parallel RGB input timing table.....	14
10.2.	Output timing table.....	14
10.3.	Input clock and data timing diagram	15
10.4.	Source output timing diagram(Cascade).....	15
10.5.	Vertical timing diagram HV(Cascade).....	16
10.6.	Vertical timing diagram DE(Cascade).....	16
10.7.	Gate output timing diagram(Cascade).....	17
10.8.	Vertical timing diagram HV(Dual gate).....	17
10.9.	Vertical timing diagram DE(Dual gate)	17
10.10.	Gate output timing diagram(Dual gate)	18
11.	Quality Assurance	19
11.1	Purpose	19
11.2	Standard for Quality Test.....	19
11.3	Nonconforming Analysis & Disposition	19
11.4	Agreement Items	19
11.5	Standard of the Product Visual Inspection	20
11.6	Inspection Specification	20
11.7	Classification of Defects.....	27
11.8	Identification/marketing criteria	27
11.9	Packaging.....	27
12.	Reliability Specification	28
13.	Precautions and Warranty.....	29
13.1	Safety.....	29
13.2	Handling.....	29
13.3	Storage.....	29

13.4 Metal Pin (Apply to Products with Metal Pins) 29

13.5 Operation 30

13.6 Static Electricity 30

13.7 Limited Warranty 30

14. Outline Drawing 31

1. General Description

The specification is a transmissive type color active matrix liquid crystal display (LCD) which uses amorphous thin film transistor (TFT) as switching devices. This product is composed of a TFT-LCD panel, driver ICs, a touch panel and a backlight unit.

2. Module Parameter

Features	Details	Unit
Display Size (Diagonal)	10.1"	-
LCD Type	TN TFT	-
Display Mode	Transmissive / Normally White	-
Resolution	1024 x RGB x 600	Pixels
View Direction	12 O'CLOCK	Best Image
Gray Scale Inversion Direction	6 O'CLOCK	-
Module Outline	259.50 x 161.66 x 7.35 (Note1)	mm
Active Area	222.72 x 125.28	mm
Pixel Pitch	0.2175 x 0.2088	mm
Pixel Arrangement	RGB Vertical Stripe	-
Polarizer Surface Treatment	Anti-Glare	-
Display Colors	16.7 Million	-
Interface	24-Bit RGB Interface	-
Driver IC	HX8282-A & HX8696-A (Himax)	-
With or without the Touch Panel	With Projective Capacitive Touch	-
Operating Temperature	-20°C to +70°C	°C
Storage Temperature	-30°C to +80°C	°C
Weight	~ 455	g

Note 1: Inclusive hooks, posts, FFC/FPC tail etc.

3. Absolute Maximum Ratings

V_{SS}=0V, Ta=25°C

Item	Symbol	Min.	Max.	Unit
Supply Voltage	DVDD	-0.5	+3.96	V
	AVDD	-0.5	+14.85	V
	VGH	-0.3	+42.0	V
	VGL	VGH-42	+0.3	V
Storage Temperature	T _{stg}	-30	+80	°C
Operating Temperature	T _{op}	-20	+70	°C

Note 1: If Ta below 50°C, the maximal humidity is 90%RH, if Ta over 50°C, absolute humidity should be less than 60%RH.

Note 2: The response time will be extremely slow when the operating temperature is around -10°C, and the back ground will become darker at high temperature operating.

4. DC Characteristics

Item	Symbol	Min.	Typ.	Max.	Unit	
Supply Voltage	DVDD	3.0	-	3.6	V	
	AVDD	6.5	10.8	13.5	V	
	VGH	(16)	21	(26)	V	
	VGL	(-13)	-8	(-3)	V	
Input Signal Voltage	VCOM	-	3.7	-	V	
Logic Low Input Voltage	V _{IL}	0	-	0.3*DVDD	V	
Logic High Input Voltage	V _{IH}	0.7*DVDD	-	DVDD	V	
Logic Low Output Voltage	V _{OL}	-	-	GND+0.4		
Logic High Output Voltage	V _{OH}	DVDD-0.4	-	-		
Current Consumption All Black	Logic	I _{CC+ I_{IN}}	-	TBD	-	mA
	Analog					

Note 1: All of the voltage listed above are with respective to GND = 0v

Note 2: Device is subject to be damaged permanently if stresses beyond those absolute maximum rating listed above

5. Backlight Characteristic

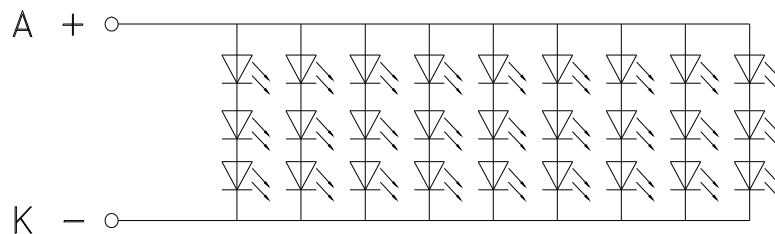
5.1. Backlight Characteristic

Item	Symbol	Condition	Min.	Typ.	Max.	Unit
Forward Voltage	V _F	T _a =25 °C, I _F =20mA/LED	8.4	9.9	10.2	V
Forward Current	I _F	T _a =25 °C, V _F =3.3V/LED	-	180	-	mA
Power Dissipation	P _D	-	-	1782	-	mW
Uniformity	Avg	-	70	80	-	%
LED Lifetime (+25°C)	-	-	20,000	30,000	-	Hrs
Drive Method	Constant current					
LED Configuration	27 White LEDs (3 LEDs in one string and 9 groups in parallel)					

Note1: LED life time defined as follows: The final brightness is at 50% of original brightness.

The environmental conducted under ambient air flow, at T_a=25°C±2 °C, 60%RH±5%, I_F=20mA.

5.2. Backlighting Circuit



6. Touch Screen Panel Specifications

Technical Parameters:

1. Structure: Cover GLASS+OCA+DITO GLASS+FPC
 DITO GLASS:T=0.70mm
 Cover GLASS:1.10mm
 OCA=0.15mm
 Lead line:FPC
2. IC: FT5526
3. Surface Hardness: ≥6H
4. Transmittance: ≥87%
5. Operation Voltage: 2.8V~3.3V
6. Operation Temperature:-20°C to +70°C
7. Storage Temperature: -30°C to +80°C
8. ROHS must be complied
9. Unspecification tolerance are ±0.2mm

7. Optical Characteristics

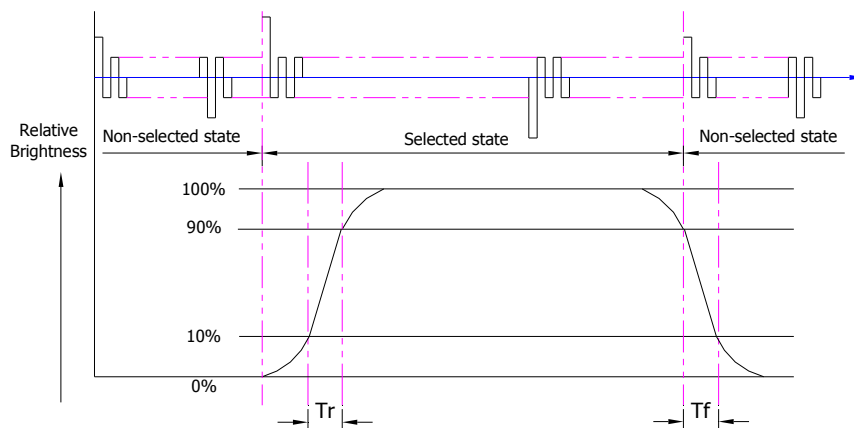
7.1. Optical Characteristics

Ta=25°C, DVDD=3.3V

	Item	Symbol	Condition	Specification			Unit	
				Min.	Typ.	Max.		
Backlight On (Transmissive Mode)	Luminance on TFT ($I_f = 20\text{mA/LED}$)	Lv		200	260	-	cd/m ²	
	Contrast Ratio(See 6.3)	CR		400	450	-		
	Response Time (See 6.2)	TR+TF		-	8	-	ms	
	Chromaticity Transmissive (See 6.5)	Red	XR	Center CR≥10	0.547	0.597	0.647	
			YR		0.302	0.352	0.402	
		Green	XG		0.279	0.329	0.379	
			YG		0.566	0.616	0.666	
		Blue	XB		0.101	0.151	0.201	
			YB		0.090	0.140	0.190	
	White	XW	0.253	0.303	0.353			
		YW	0.300	0.350	0.400			
	Viewing Angle (See 6.4)	Horizontal	θ_{x+}	Center CR≥10	60	70	-	Deg.
			θ_{x-}		60	70	-	
Vertical		ϕ_{y+}	50		60	-		
		ϕ_{y-}	60		70	-		
NTSC ratio (Color gamut)				-	52	-	%	

7.2. Definition of Response Time

7.2.1. Normally Black Type (Negative)

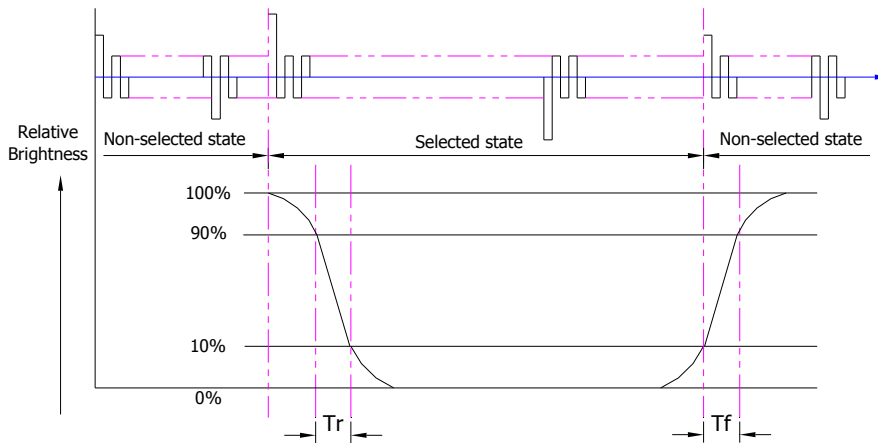


Tr is the time it takes to change from non-selected stage with relative luminance 10% to selected state with relative luminance 90%;

Tf is the time it takes to change from selected state with relative luminance 90% to non-selected state with relative luminance 10%.

Note: Measuring machine: LCD-5100

7.2.2. Normally White Type (Positive)



T_r is the time it takes to change from non-selected stage with relative luminance 90% to selected state with relative luminance 10%;

T_f is the time it takes to change from selected state with relative luminance 10% to non-selected state with relative luminance 90%;

Note: Measuring machine: LCD-5100 or EQUI

7.3. Definition of Contrast Ratio

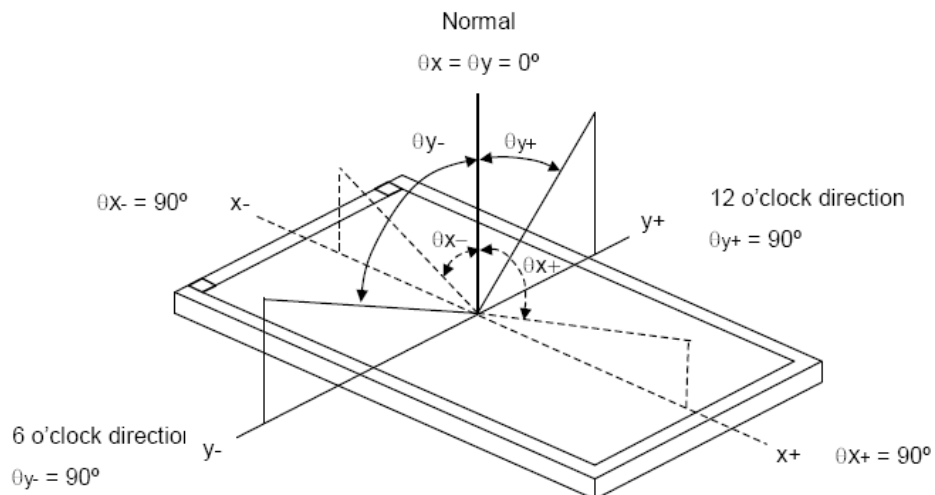
Contrast is measured perpendicular to display surface in reflective and transmissive mode.

The measurement condition is:

Measuring Equipment	Eldim or Equivalent
Measuring Point Diameter	3mm//1mm
Measuring Point Location	Active Area centre point
Test pattern	A: All Pixels white
	B: All Pixel black
Contrast setting	Maximum

Definitions: CR (Contrast) = Luminance of White Pixel / Luminance of Black Pixel

7.4. Definition of Viewing Angles



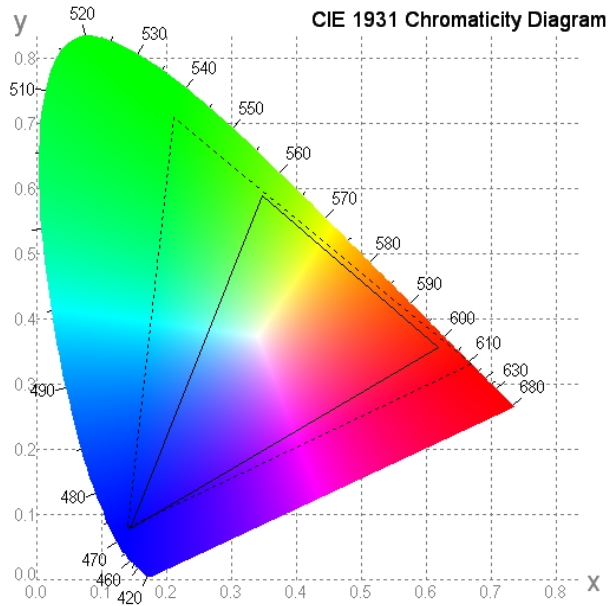
Measuring machine: LCD-5100 or EQUI

7.5. Definition of Color Appearance

R,G,B and W are defined by (x, y) on the IE chromaticity diagram

NTSC=area of RGB triangle/area of NTSC triangleX100%

Measuring picture: Red, Green, Blue and White (Measuring machine: BM-7)



7.6. Definition of Surface Luminance, Uniformity and Transmittance

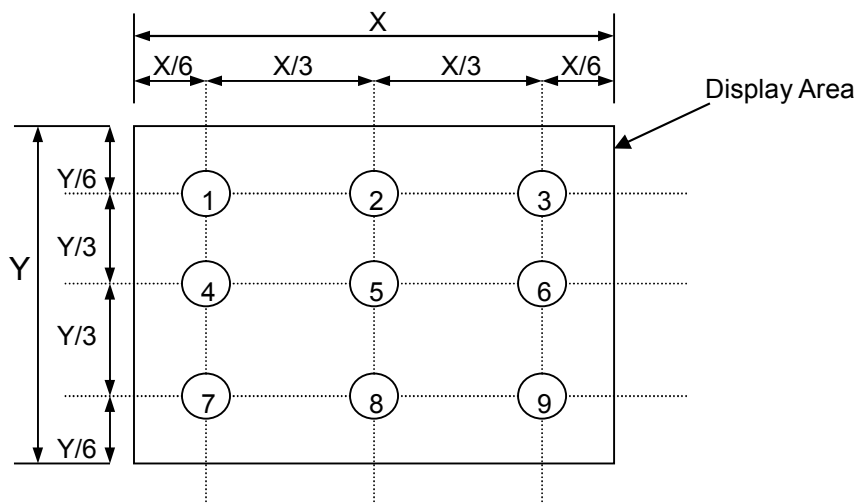
Using the transmissive mode measurement approach, measure the white screen luminance of the display panel and backlight.

7.6.1. Surface Luminance: $L_v = \text{average} (L_{P1}:L_{P9})$

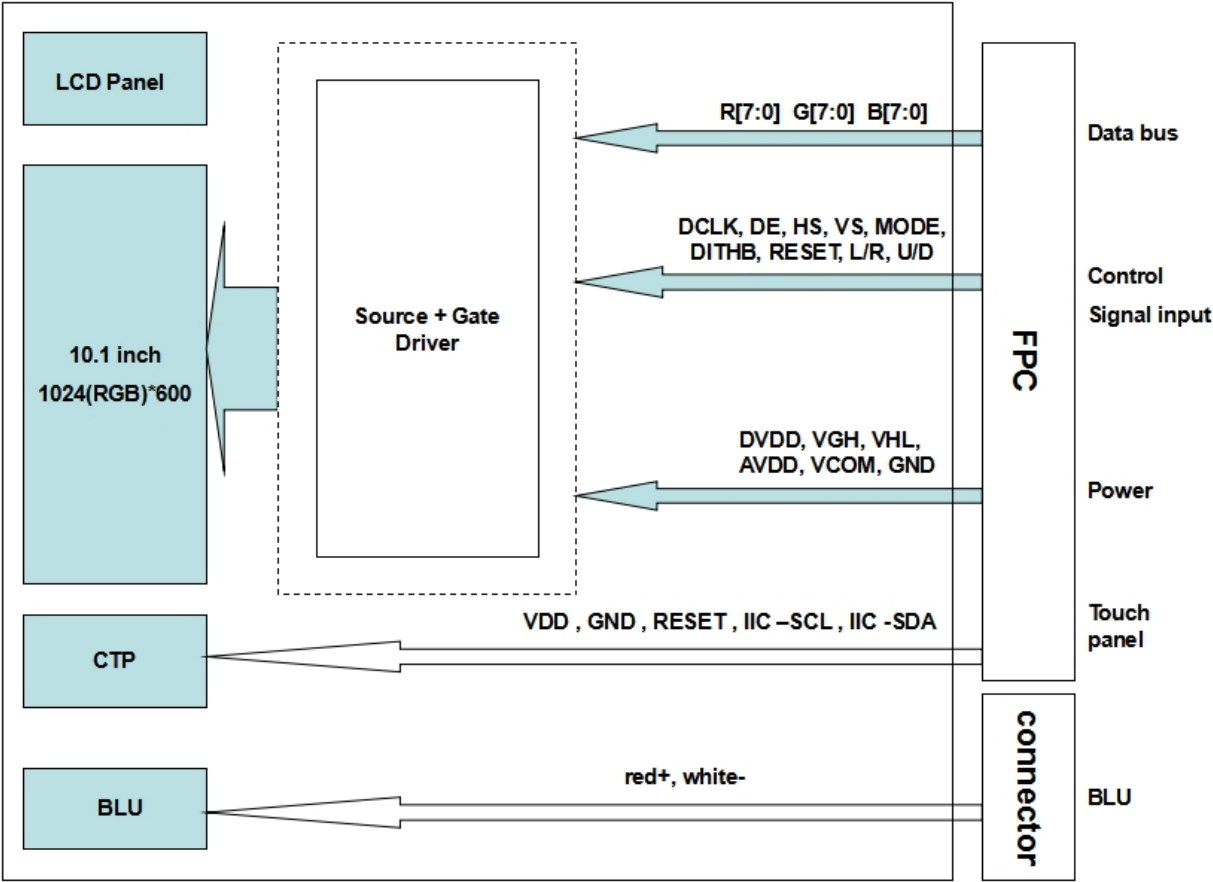
7.6.2. Uniformity = $\text{Minimal} (L_{P1}:L_{P9}) / \text{Maximal} (L_{P1}:L_{P9}) * 100\%$

7.6.3. Transmittance = $L_v \text{ on LCD} / L_v \text{ on Backlight} * 100\%$

Note: Measuring machine: BM-7



8. Block Diagram and Power Supply



9. Interface Pins Definition

No.	Symbol	Function
1	VLED+	NC
2	VLED+	NC
3	VLED-	NC
4	VLED-	NC
5	GND	Ground
6	VCOM	Comman voltage
7	DVDD	Power Voltage for digital circuit
8	MODE	DE/SYNC Mode selection.Normally pull high When Mode=H,DE Mode When Mode=L,SYNC Mode
9	DE	Data input enable for TTL mode
10	VS	Vertical sync. Signal in RGB I/F mode
11	HS	Horizontal sync. Signal in RGB I/F mode
12	B7	Blue data
13	B6	Blue data
14	B5	Blue data
15	B4	Blue data
16	B3	Blue data
17	B2	Blue data
18	B1	Blue data
19	B0	Blue data
20	G7	Green data
21	G6	Green data
22	G5	Green data
23	G4	Green data
24	G3	Green data
25	G2	Green data
26	G1	Green data
27	G0	Green data
28	R7	Red data
29	R6	Red data
30	R5	Red data
31	R4	Red data
32	R3	Red data
33	R2	Red data
34	R1	Red data
35	R0	Red data
36	GND	Ground
37	DCLK	In TTL Mode ,DLCK for clock input
38	GND	Ground
39	L/R	Lift/Right scan control

40	U/D	Up/Down scan control
41	VGH	Gate On Voltage
42	VGL	Gate OFF Voltage
43	AVDD	Power for Analog circuit
44	RESET	Reset signal
45	NC	No connection
46	VCOM	Comman voltage
47	DITHB	Dither function enable control. Normally pull Low When DITHB=H,Enable internally Dithering function. When DITHB=L,Disable internally Dithering function.
48	GND	Ground
49	NC	No connection
50	NC	No connection

Backlight Unit PIN symbol

Symbol	Color	Function
Red+	Red	LED Anode
White-	Green	LED Cathode

Capacitive Touch Panel PIN:

No.	Symbol	Function	Remark
1	GND	Ground	
2	GND	Ground	
3	VDD	Power supply	
4	INT	Interrupt	
5	RESET	Reset	
6	IIC_SCL	Clock	
7	IIC_SDA	Data	
8	GND	Ground	

10. INPUT SIGNAL TIMING

10.1. Parallel RGB Input Timing Table

DE mode

Parameter	Symbol	Spec.			Unit
		Min.	Typ.	Max.	
DCLK Frequency	fclk	40.8	51.2	67.2	MHz
Horizontal Display Area	thd	1024			DCLK
HSD Period	th	1114	1344	1400	DCLK
HSD Blanking	thb+ thfp	90	320	376	DCLK
Vertical Display Area	tvd	600			T _H
VSD Period	tv	610	635	800	T _H
VSD Blanking	tvbp+ tvfp	10	35	200	T _H

HV mode

Horizontal timing

Parameter	Symbol	Spec.			Unit
		Min.	Typ.	Max.	
DCLK Frequency	fclk	44.9	51.2	63	MHz
Horizontal Display Area	thd	1024			DCLK
HSD Period	th	1200	1344	1400	DCLK
HSD Pulse Width	thpw	1	-	140	DCLK
HSD Back Porch	thbp	160			DCLK
HSD Front Porch	thfp	16	160	216	DCLK

Vertical Timing

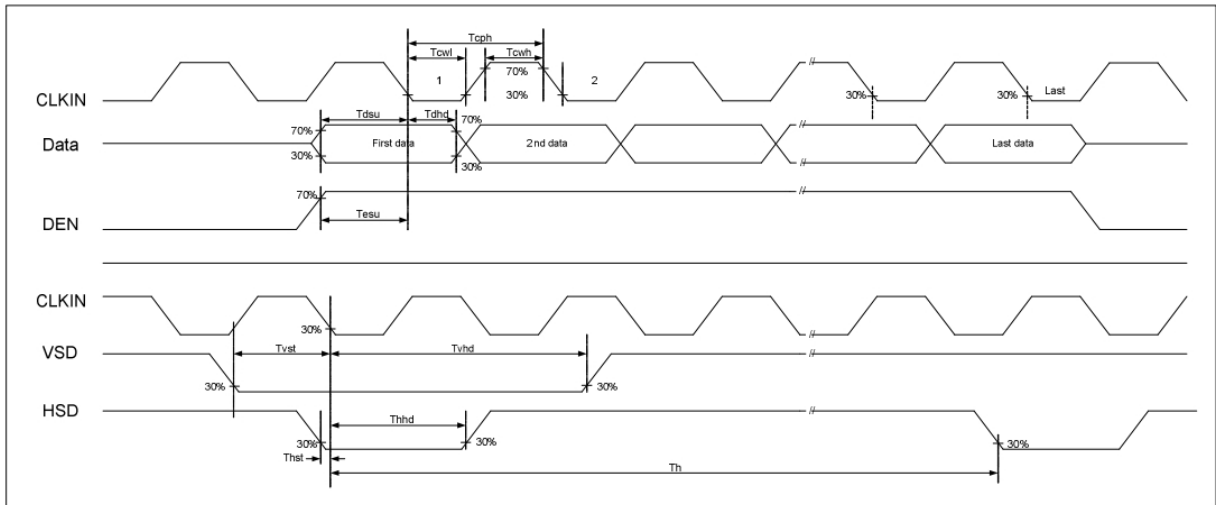
Parameter	Symbol	Spec.			Unit
		Min.	Typ.	Max.	
Vertical Display Area	tvd	600			T _H
VSD Period	tv	624	635	750	T _H
VSD Pulse Width	tvpw	1	-	20	T _H
VSD Back Porch	tvbp	23			T _H
VSD Front Porch	tvfp	1	12	127	T _H

10.2. Output Timing Table

Parallel 24-bit RGB mode

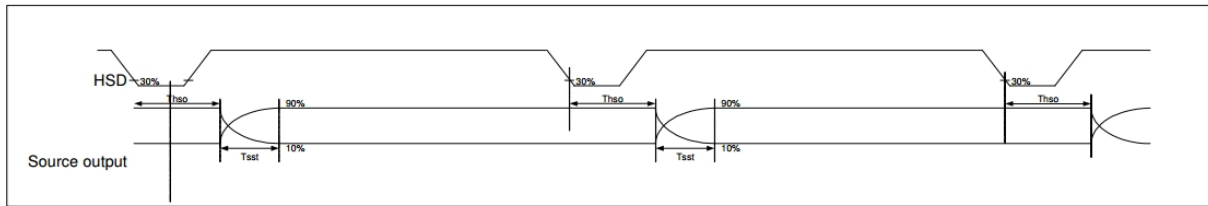
Parameter	Symbol	Spec.			Unit	Conditions
		Min.	Typ.	Max.		
CLKIN Frequency	Fclk	-	65	71	MHz	VDD=3.0V~3.6V
CLKIN Cycle Time	Tclk	14.1	15.4	-	ns	-
CLKIN Pulse Duty	Tcwh	40	50	60	%	Tclk
Time from HSD to Source Output	Thso	64			CLKIN	-
Time from HSD to LD	Thld	64			CLKIN	-
Time from HSD to STV	Thstv	2			CLKIN	-
Time from HSD to CKV	Thckv	20			CLKIN	-
Time from HSD to OEV	Thoev	4			CLKIN	-
LD Pulse Width	Twld	10			CLKIN	-
CKV Pulse Width	Twckv	66			CLKIN	-
OEV Pulse Width	Twoev	74			CLKIN	-

10.3. Input Clock and Data Timing Diagram

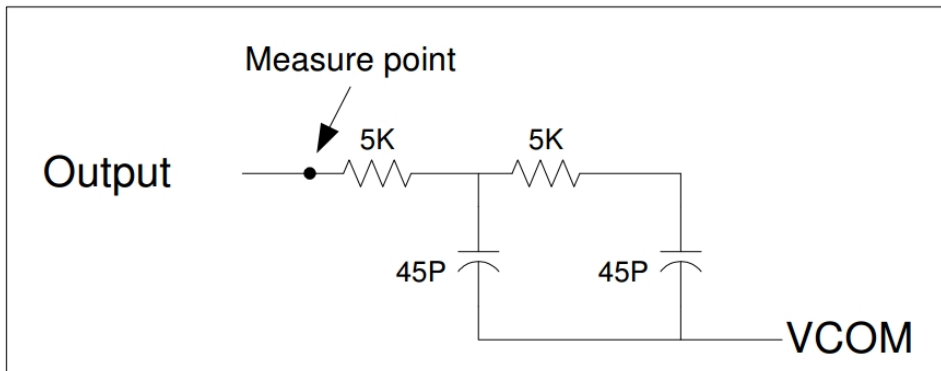


Input clock and data timing diagram

10.4. Source Output Timing Diagram (Cascade)

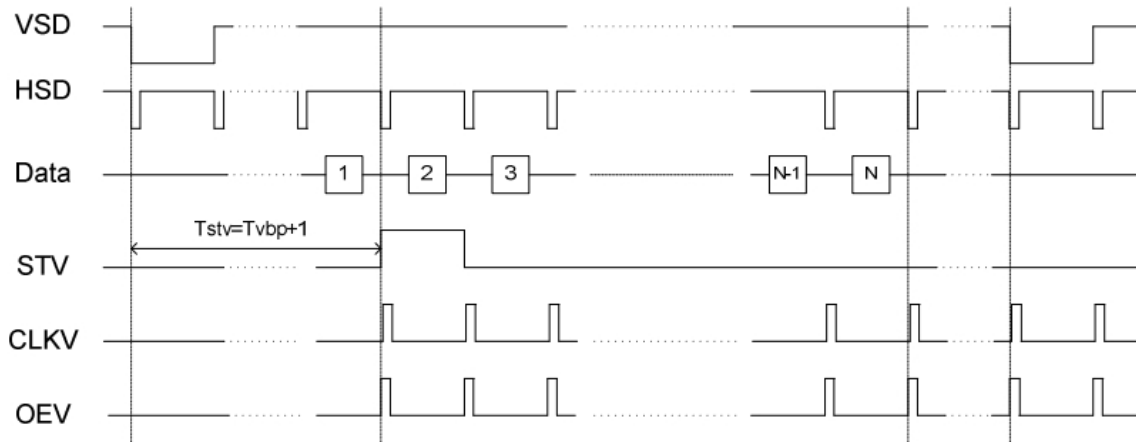


Source output timing diagram



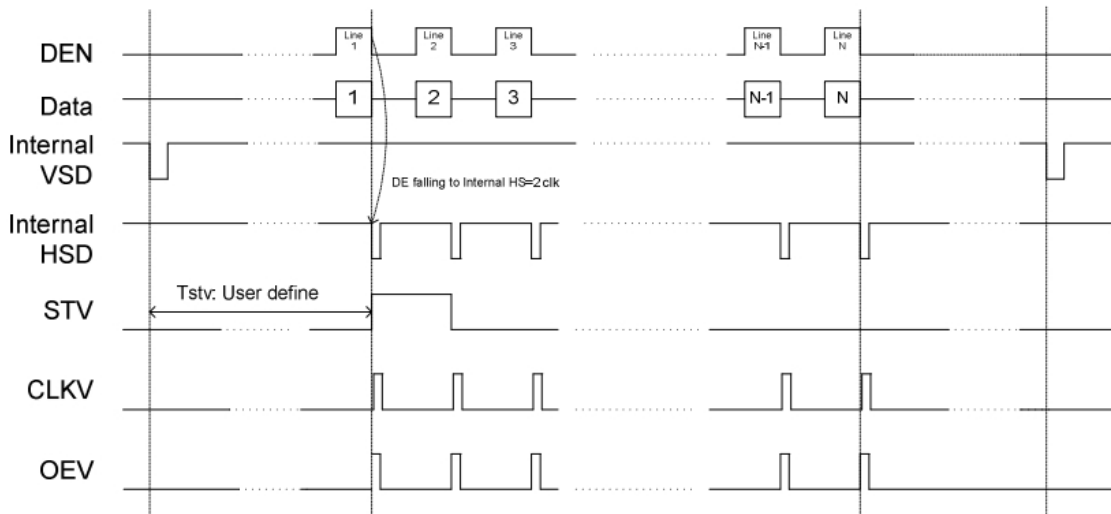
Output load condition

10.5. Vertical Timing Diagram HV (Cascade)



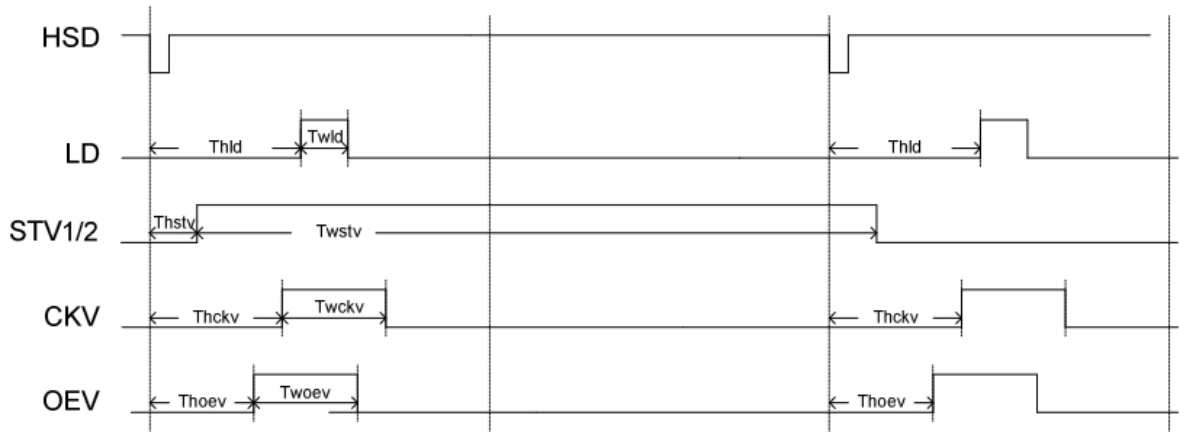
Vertical timing diagram HV (Cascade)

10.6. Vertical Timing Diagram DE (Cascade)



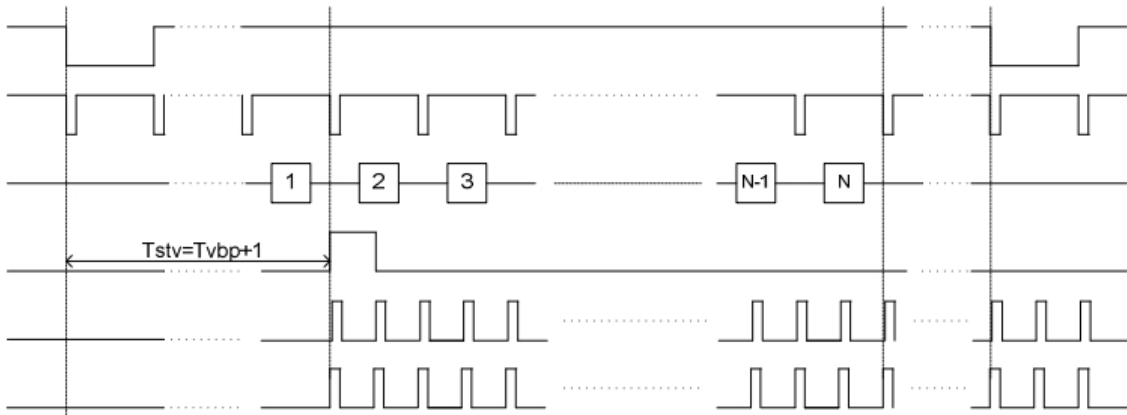
Vertical timing diagram DE (Cascade)

10.7. Gate Output Timing Diagram (Cascade)



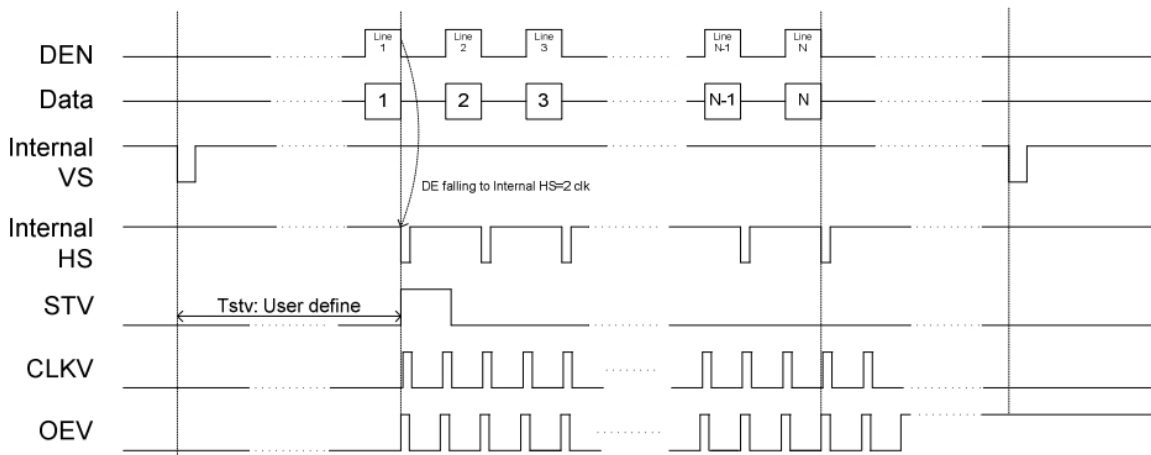
Gate output timing diagram (Cascade)

10.8. Vertical Timing Diagram HV (Dual Gate)



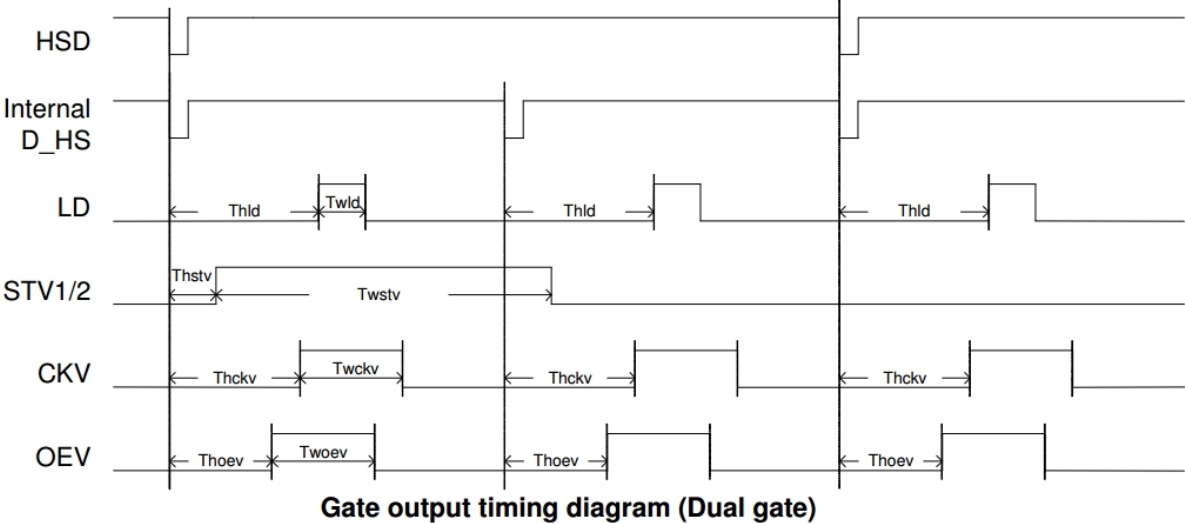
Vertical timing diagram HV (Dual gate)

10.9. Vertical Timing Diagram DE (Dual Gate)



Vertical timing diagram DE (Dual gate)

10.10. Gate Output Timing Diagram (Dual Gate)



11. Quality Assurance

11.1 Purpose

This standard for Quality Assurance assures the quality of LCD module products supplied to customer.

11.2 Standard for Quality Test

11.2.1 Sampling Plan:

GB2828.1-2012

Single sampling, general inspection level II

11.2.2 Sampling Criteria:

Visual inspection: AQL 1.5%

Electrical functional: AQL 0.65%.

11.2.3 Reliability Test:

Detailed requirement refer to Reliability Test Specification.

11.3 Nonconforming Analysis & Disposition

11.3.1 Nonconforming analysis:

11.3.1.1 Customer should provide overall information of non-conforming sample for their complaints.

11.3.1.2 After receipt of detailed information from customer, the analysis of nonconforming parts usually should be finished in one week.

11.3.1.3 If cannot finish the analysis on time, customer will be notified with the progress status.

11.3.2 Disposition of nonconforming:

11.3.2.1 Non-conforming product over PPM level will be replaced.

11.3.2.2 The cause of non-conformance will be analyzed. Corrective action will be discussed and implemented.

11.4 Agreement Items

Shall negotiate with customer if the following situation occurs:

11.4.1 There is any discrepancy in standard of quality assurance.

11.4.2 Additional requirement to be added in product specification.

11.4.3 Any other special problem.

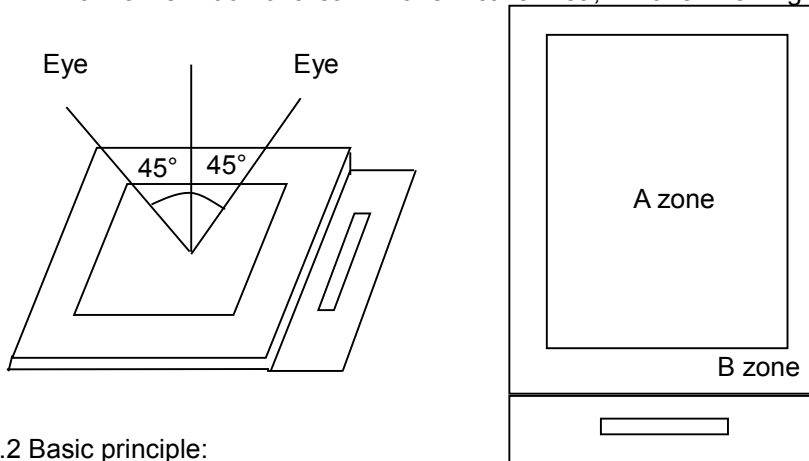
11.5 Standard of the Product Visual Inspection

11.5.1 Appearance inspection:

11.5.1.1 The inspection must be under illumination about 1000 – 1500 lx, and the distance of view must be at 30cm ± 2cm.

11.5.1.2 The viewing angle should be 45° from the vertical line without reflection light or follows customer's viewing angle specifications.

11.5.1.3 Definition of area: A Zone: Active Area, B Zone: Viewing Area,

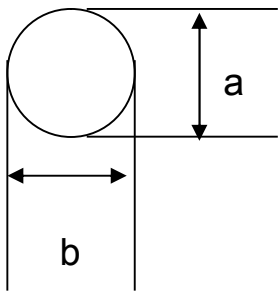


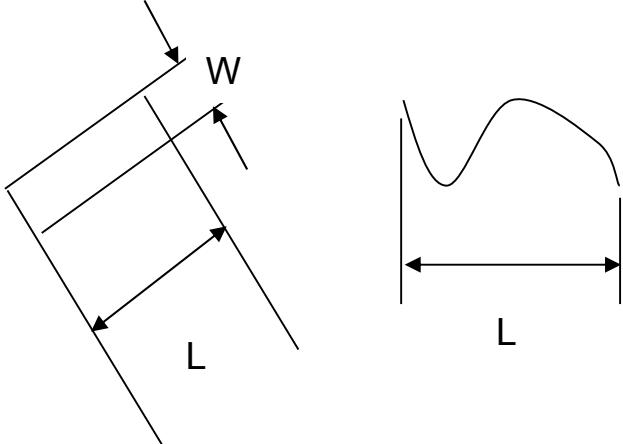
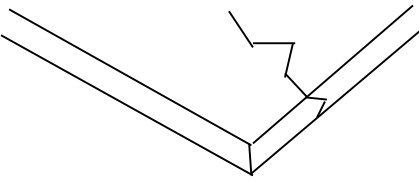
11.5.2 Basic principle:

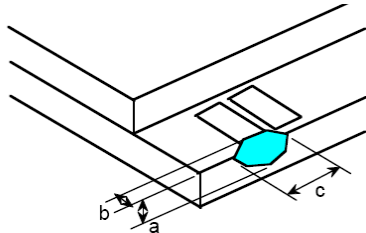
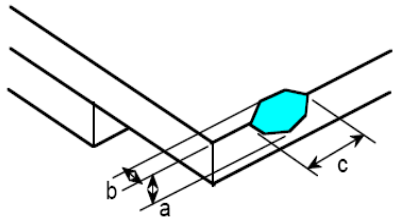
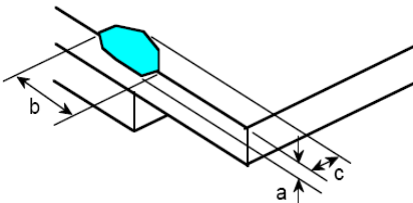
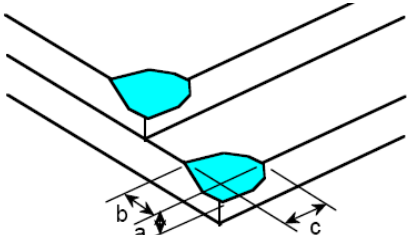
11.5.2.1 A set of sample to indicate the limit of acceptable quality level must be discussed by both us and customer when there is any dispute happened.

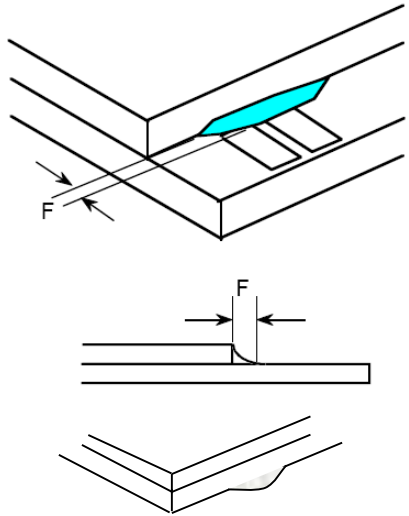
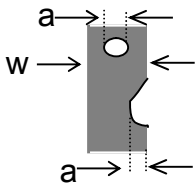
11.5.2.2 New item must be added on time when it is necessary.

11.6 Inspection Specification

No.	Item	Criteria (Unit: mm)												
01	Black / White spot Foreign material (Round type) Pinholes Stain Particles inside cell. (Minor defect)	 <table border="1" data-bbox="909 1276 1412 1489"> <thead> <tr> <th>Size</th> <th>Area</th> <th>Acc. Qty</th> </tr> </thead> <tbody> <tr> <td>$\phi \leq 0.20$</td> <td></td> <td>Ignore</td> </tr> <tr> <td>$0.20 < \phi \leq 0.50$</td> <td></td> <td>$N \leq 3$</td> </tr> <tr> <td>$0.50 < \phi$</td> <td></td> <td>0</td> </tr> </tbody> </table> <p>$\phi = (a + b) / 2$</p> <p>Distance between 2 defects should more than 5mm apart.</p>	Size	Area	Acc. Qty	$\phi \leq 0.20$		Ignore	$0.20 < \phi \leq 0.50$		$N \leq 3$	$0.50 < \phi$		0
Size	Area	Acc. Qty												
$\phi \leq 0.20$		Ignore												
$0.20 < \phi \leq 0.50$		$N \leq 3$												
$0.50 < \phi$		0												

02	Electrical Defect (Minor defect)	<table border="1" data-bbox="549 226 1414 443"> <tr> <td rowspan="2">Bright dot</td> <td>Display Area</td> <td>Total</td> <td rowspan="3">Note1</td> </tr> <tr> <td>$N \leq 2$</td> <td>$N \leq 2$</td> </tr> <tr> <td>Dark dot</td> <td>$N \leq 4$</td> <td>$N \leq 4$</td> </tr> <tr> <td>Total dot</td> <td>$N \leq 4$</td> <td>$N \leq 4$</td> <td></td> </tr> <tr> <td>Mura</td> <td colspan="2">Not visible through 5% ND filters.</td> <td>Note 2</td> </tr> </table> <p>Remark: 1. Bright dot caused by scratch and foreign object accords to item 1.</p>	Bright dot	Display Area	Total	Note1	$N \leq 2$	$N \leq 2$	Dark dot	$N \leq 4$	$N \leq 4$	Total dot	$N \leq 4$	$N \leq 4$		Mura	Not visible through 5% ND filters.		Note 2
Bright dot	Display Area	Total		Note1															
	$N \leq 2$	$N \leq 2$																	
Dark dot	$N \leq 4$	$N \leq 4$																	
Total dot	$N \leq 4$	$N \leq 4$																	
Mura	Not visible through 5% ND filters.		Note 2																
03	Black and White line Scratch Foreign material (Line type) (Minor defect)	 <table border="1" data-bbox="608 1066 1235 1330"> <thead> <tr> <th>Length</th> <th>Width</th> <th>Acc. Qty</th> </tr> </thead> <tbody> <tr> <td>/</td> <td>$W \leq 0.1$</td> <td>Ignore</td> </tr> <tr> <td>$L \leq 2.5$</td> <td>$0.1 < W \leq 0.2$</td> <td>3</td> </tr> <tr> <td>$L > 2.5$</td> <td>$0.2 < W$</td> <td>0</td> </tr> <tr> <td colspan="2">Total</td> <td>3</td> </tr> </tbody> </table> <p>Distance between 2 defects should more than 3mm apart. Scratches not viewable through the back of the display are acceptable.</p>	Length	Width	Acc. Qty	/	$W \leq 0.1$	Ignore	$L \leq 2.5$	$0.1 < W \leq 0.2$	3	$L > 2.5$	$0.2 < W$	0	Total		3		
Length	Width	Acc. Qty																	
/	$W \leq 0.1$	Ignore																	
$L \leq 2.5$	$0.1 < W \leq 0.2$	3																	
$L > 2.5$	$0.2 < W$	0																	
Total		3																	
04	Glass Crack (Minor defect)	 <p>Crack is potential to enlarge, any type is not allowed.</p>																	

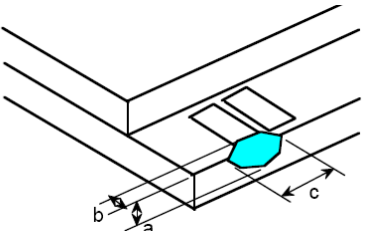
<p>05</p>	<p>Glass Chipping Pad Area: (Minor defect)</p> 	<table border="1"> <thead> <tr> <th>Length and Width</th> <th>Acc. Qty</th> </tr> </thead> <tbody> <tr> <td>$c > 3.0, b < 1.0$</td> <td>1</td> </tr> <tr> <td>$c < 3.0, b < 1.0$</td> <td>3</td> </tr> <tr> <td colspan="2">$a < \text{Glass Thickness}$</td> </tr> </tbody> </table>	Length and Width	Acc. Qty	$c > 3.0, b < 1.0$	1	$c < 3.0, b < 1.0$	3	$a < \text{Glass Thickness}$			
Length and Width	Acc. Qty											
$c > 3.0, b < 1.0$	1											
$c < 3.0, b < 1.0$	3											
$a < \text{Glass Thickness}$												
<p>06</p>	<p>Glass Chipping Rear of Pad Area: (Minor defect)</p> 	<table border="1"> <thead> <tr> <th>Length and Width</th> <th>Acc. Qty</th> </tr> </thead> <tbody> <tr> <td>$c > 3.0, b < 1.0$</td> <td>1</td> </tr> <tr> <td>$c < 3.0, b < 1.0$</td> <td>2</td> </tr> <tr> <td>$c < 3.0, b < 0.5$</td> <td>4</td> </tr> <tr> <td colspan="2">$a < \text{Glass Thickness}$</td> </tr> </tbody> </table>	Length and Width	Acc. Qty	$c > 3.0, b < 1.0$	1	$c < 3.0, b < 1.0$	2	$c < 3.0, b < 0.5$	4	$a < \text{Glass Thickness}$	
Length and Width	Acc. Qty											
$c > 3.0, b < 1.0$	1											
$c < 3.0, b < 1.0$	2											
$c < 3.0, b < 0.5$	4											
$a < \text{Glass Thickness}$												
<p>07</p>	<p>Glass Chipping Except Pad Area: (Minor defect)</p> 	<table border="1"> <thead> <tr> <th>Length and Width</th> <th>Acc. Qty</th> </tr> </thead> <tbody> <tr> <td>$c > 3.0, b < 1.0$</td> <td>1</td> </tr> <tr> <td>$c < 3.0, b < 1.0$</td> <td>2</td> </tr> <tr> <td>$c < 3.0, b < 0.5$</td> <td>4</td> </tr> <tr> <td colspan="2">$a < \text{Glass Thickness}$</td> </tr> </tbody> </table>	Length and Width	Acc. Qty	$c > 3.0, b < 1.0$	1	$c < 3.0, b < 1.0$	2	$c < 3.0, b < 0.5$	4	$a < \text{Glass Thickness}$	
Length and Width	Acc. Qty											
$c > 3.0, b < 1.0$	1											
$c < 3.0, b < 1.0$	2											
$c < 3.0, b < 0.5$	4											
$a < \text{Glass Thickness}$												
<p>08</p>	<p>Glass Corner Chipping: (Minor defect)</p> 	<table border="1"> <thead> <tr> <th>Length and Width</th> <th>Acc. Qty</th> </tr> </thead> <tbody> <tr> <td>$c < 3.0, b < 3.0$</td> <td>Ignore</td> </tr> <tr> <td colspan="2">$a < \text{Glass Thickness}$</td> </tr> </tbody> </table>	Length and Width	Acc. Qty	$c < 3.0, b < 3.0$	Ignore	$a < \text{Glass Thickness}$					
Length and Width	Acc. Qty											
$c < 3.0, b < 3.0$	Ignore											
$a < \text{Glass Thickness}$												

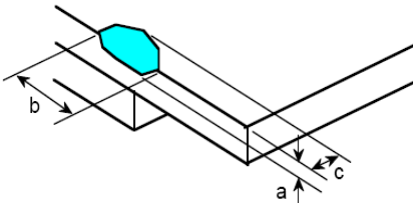
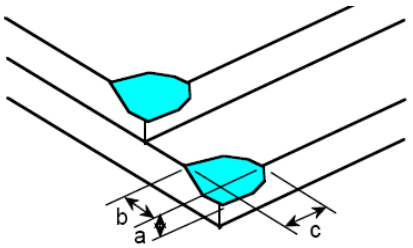
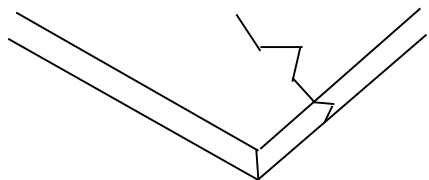
<p>09</p>	<p>Glass Burr: (Minor defect)</p> 	<table border="1" data-bbox="858 264 1332 353"> <thead> <tr> <th>Length</th> <th>Acc. Qty</th> </tr> </thead> <tbody> <tr> <td>$F < 1.0$</td> <td>Ignore</td> </tr> </tbody> </table> <p>Glass burr don't affect assemble and module dimension.</p>	Length	Acc. Qty	$F < 1.0$	Ignore				
Length	Acc. Qty									
$F < 1.0$	Ignore									
<p>10</p>	<p>FPC Defect: (Minor defect)</p> 	<p>10.1 Dent, pinhole width $a < w/3$. (w: circuitry width.) 10.2 Open circuit is unacceptable. 10.3 No oxidation, contamination and distortion.</p>								
<p>11</p>	<p>Bubble on Polarizer (Minor defect)</p>	<table border="1" data-bbox="737 1326 1208 1498"> <thead> <tr> <th>Diameter</th> <th>Acc. Qty</th> </tr> </thead> <tbody> <tr> <td>$\varphi \leq 0.30$</td> <td>Ignore</td> </tr> <tr> <td>$0.30 < \varphi \leq 0.50$</td> <td>$N \leq 2$</td> </tr> <tr> <td>$0.50 < \varphi$</td> <td>$N = 0$</td> </tr> </tbody> </table>	Diameter	Acc. Qty	$\varphi \leq 0.30$	Ignore	$0.30 < \varphi \leq 0.50$	$N \leq 2$	$0.50 < \varphi$	$N = 0$
Diameter	Acc. Qty									
$\varphi \leq 0.30$	Ignore									
$0.30 < \varphi \leq 0.50$	$N \leq 2$									
$0.50 < \varphi$	$N = 0$									
<p>12</p>	<p>Dent on Polarizer (Minor defect)</p>	<table border="1" data-bbox="737 1552 1208 1724"> <thead> <tr> <th>Diameter</th> <th>Acc. Qty</th> </tr> </thead> <tbody> <tr> <td>$\varphi \leq 0.25$</td> <td>Ignore</td> </tr> <tr> <td>$0.25 < \varphi \leq 0.50$</td> <td>$N \leq 4$</td> </tr> <tr> <td>$0.50 < \varphi$</td> <td>None</td> </tr> </tbody> </table>	Diameter	Acc. Qty	$\varphi \leq 0.25$	Ignore	$0.25 < \varphi \leq 0.50$	$N \leq 4$	$0.50 < \varphi$	None
Diameter	Acc. Qty									
$\varphi \leq 0.25$	Ignore									
$0.25 < \varphi \leq 0.50$	$N \leq 4$									
$0.50 < \varphi$	None									
<p>13</p>	<p>Bezel</p>	<p>13.1 No rust, distortion on the Bezel. 13.2 No visible fingerprints, stains or other contamination.</p>								



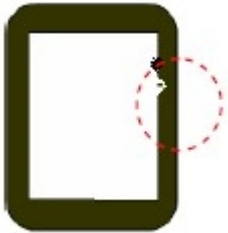
14	Touch Panel	<p>D: Diameter W: width L: length</p> <p>14.1 Spot: $D < 0.25$ is acceptable $0.25 \leq D \leq 0.4$</p> <p>2dots are acceptable and the distance between defects should more than 10 mm.</p> <p>$D > 0.4$ is unacceptable</p> <p>14.2 Dent: $D > 0.40$ is unacceptable</p> <p>14.3 Scratch: $W \leq 0.03$, $L \leq 10$ is acceptable, $0.03 < W \leq 0.10$, $L \leq 10$ is acceptable</p> <p>Distance between 2 defects should more than 10 mm. $W > 0.10$ is unacceptable.</p>
15	PCB	<p>15.1 No distortion or contamination on PCB terminals.</p> <p>15.2 All components on PCB must same as documented on the BOM/component layout.</p> <p>15.3 Follow IPC-A-600F.</p>
16	Soldering	Follow IPC-A-610C standard
17	Electrical Defect (Major defect)	<p>The below defects must be rejected.</p> <p>17.1 Missing vertical / horizontal segment,</p> <p>17.2 Abnormal Display.</p> <p>17.3 No function or no display.</p> <p>17.4 Current exceeds product specifications.</p> <p>17.5 LCD viewing angle defect.</p> <p>17.6 No Backlight.</p> <p>17.7 Dark Backlight.</p> <p>17.8 Touch Panel no function.</p>

Remark: LCD Panel Broken shall be rejected. Defect out of LCD viewing area is acceptable.

Inspection Specification for the Capacitive Touch Panel

01	<p>Chipping Pad Area(Not include the cover lens): (Minor defect)</p> 	<p>The chip is seriously influence the product's function, any type is not allowed.</p>
----	---	---

<p>02</p>	<p>Chipping Except Pad Area(Not include the cover lens): (Minor defect)</p> 	<table border="1"> <thead> <tr> <th>Length and Width</th> <th>Acc. Qty</th> </tr> </thead> <tbody> <tr> <td>$c < 1.5, b < 1$</td> <td>$N \leq 5$</td> </tr> <tr> <td colspan="2">$a < 1/2$ Glass Thickness</td> </tr> </tbody> </table>	Length and Width	Acc. Qty	$c < 1.5, b < 1$	$N \leq 5$	$a < 1/2$ Glass Thickness	
Length and Width	Acc. Qty							
$c < 1.5, b < 1$	$N \leq 5$							
$a < 1/2$ Glass Thickness								
<p>03</p>	<p>Corner Chipping(Not include the cover lens): (Minor defect)</p> 	<table border="1"> <thead> <tr> <th>Length and Width</th> <th>Acc. Qty</th> </tr> </thead> <tbody> <tr> <td>$c < 1.5, b < 0.5$</td> <td>Ignore</td> </tr> <tr> <td colspan="2">$a < 1/2$ Glass Thickness</td> </tr> </tbody> </table>	Length and Width	Acc. Qty	$c < 1.5, b < 0.5$	Ignore	$a < 1/2$ Glass Thickness	
Length and Width	Acc. Qty							
$c < 1.5, b < 0.5$	Ignore							
$a < 1/2$ Glass Thickness								
<p>04</p>	<p>Crack: (Minor defect)</p>	 <p>Crack is potential to enlarge, any type is not allowed.</p>						
<p>05</p>	<p>Cover lens must be without any chips, cracks or other damage when viewed from the front.</p>							

<p>06</p>	<p>Same/Different color spot</p> 	<p>D: Diameter W: width L: length</p> <table border="1" data-bbox="890 228 1343 362"> <thead> <tr> <th>Diameter</th> <th>Acc. Qty</th> </tr> </thead> <tbody> <tr> <td>D < 0.20</td> <td>Ignore</td> </tr> </tbody> </table> <p>Active Area:</p> <table border="1" data-bbox="890 407 1343 631"> <thead> <tr> <th>Diameter</th> <th>Acc. Qty</th> </tr> </thead> <tbody> <tr> <td>0.20 < D ≤ 0.30</td> <td>2</td> </tr> <tr> <td>0.30 < D ≤ 0.50</td> <td>1</td> </tr> <tr> <td>D > 0.5</td> <td>NG</td> </tr> </tbody> </table> <p>Viewing Area :</p> <table border="1" data-bbox="890 676 1343 922"> <thead> <tr> <th>Diameter</th> <th>Acc. Qty</th> </tr> </thead> <tbody> <tr> <td>D < 0.20</td> <td>Ignore</td> </tr> <tr> <td>0.20 < D ≤ 0.5</td> <td>3</td> </tr> <tr> <td>D > 0.5</td> <td>NG</td> </tr> </tbody> </table> <p>Distance between 2 defects should more than 15mm apart.</p>	Diameter	Acc. Qty	D < 0.20	Ignore	Diameter	Acc. Qty	0.20 < D ≤ 0.30	2	0.30 < D ≤ 0.50	1	D > 0.5	NG	Diameter	Acc. Qty	D < 0.20	Ignore	0.20 < D ≤ 0.5	3	D > 0.5	NG
Diameter	Acc. Qty																					
D < 0.20	Ignore																					
Diameter	Acc. Qty																					
0.20 < D ≤ 0.30	2																					
0.30 < D ≤ 0.50	1																					
D > 0.5	NG																					
Diameter	Acc. Qty																					
D < 0.20	Ignore																					
0.20 < D ≤ 0.5	3																					
D > 0.5	NG																					
<p>07</p>	<p>Cover lens line Scratch</p> 	<table border="1" data-bbox="794 1137 1423 1444"> <thead> <tr> <th>Length</th> <th>Width</th> <th>Acc. Qty</th> </tr> </thead> <tbody> <tr> <td>/</td> <td>W ≤ 0.08mm</td> <td>Ignore</td> </tr> <tr> <td>L ≤ 5</td> <td>0.08 < W ≤ 0.15</td> <td>2</td> </tr> <tr> <td>L ≤ 3</td> <td>0.15 < W ≤ 0.20</td> <td>1</td> </tr> <tr> <td>-</td> <td>W > 0.2</td> <td>NG</td> </tr> <tr> <td>L > 5</td> <td>-</td> <td>NG</td> </tr> </tbody> </table> <p>Distance between 2 defects should more than 15mm apart.</p>	Length	Width	Acc. Qty	/	W ≤ 0.08mm	Ignore	L ≤ 5	0.08 < W ≤ 0.15	2	L ≤ 3	0.15 < W ≤ 0.20	1	-	W > 0.2	NG	L > 5	-	NG		
Length	Width	Acc. Qty																				
/	W ≤ 0.08mm	Ignore																				
L ≤ 5	0.08 < W ≤ 0.15	2																				
L ≤ 3	0.15 < W ≤ 0.20	1																				
-	W > 0.2	NG																				
L > 5	-	NG																				
<p>08</p>	<p>Printing sawtooth</p> 	<table border="1" data-bbox="794 1646 1423 1870"> <thead> <tr> <th>Length</th> <th>Width</th> <th>Acc. Qty</th> </tr> </thead> <tbody> <tr> <td>/</td> <td>W ≤ 0.2mm</td> <td>2</td> </tr> <tr> <td>L ≤ 2</td> <td>0.2 < W ≤ 0.3</td> <td>1</td> </tr> <tr> <td>L ≤ 2</td> <td>W > 0.3</td> <td>NG</td> </tr> </tbody> </table>	Length	Width	Acc. Qty	/	W ≤ 0.2mm	2	L ≤ 2	0.2 < W ≤ 0.3	1	L ≤ 2	W > 0.3	NG								
Length	Width	Acc. Qty																				
/	W ≤ 0.2mm	2																				
L ≤ 2	0.2 < W ≤ 0.3	1																				
L ≤ 2	W > 0.3	NG																				

11.7 Classification of Defects

11.7.1 Visual defects (Except no / wrong label) are treated as minor defect and electrical defect is major.

11.7.2 Two minor defects are equal to one major in lot sampling inspection.

11.8 Identification/marketing criteria

Any unit with illegible / wrong /double or no marking/ label shall be rejected.

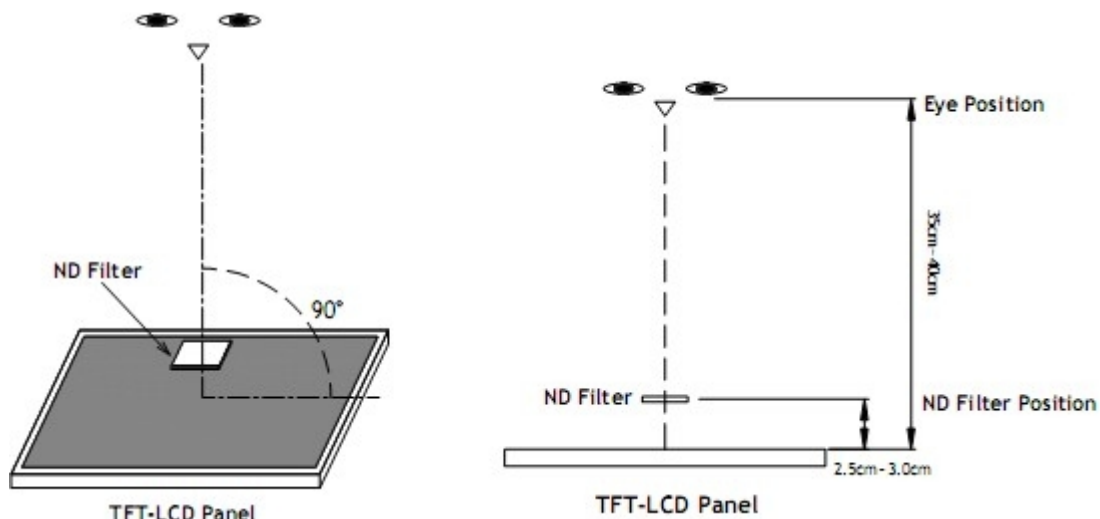
11.9 Packaging

11.9.1 There should be no damage of the outside carton box, each packaging box should have one identical label.

11.9.2 Modules inside package box should have compliant mark.

11.9.3 All direct package materials shall offer ESD protection

Note1: Bright dot is defined as the defective area of the dot is larger than 50% of one sub-pixel area.



Bright dot: The bright dot size defect at black display pattern. It can be recognized by 2% transparency of filter when the distance between eyes and panel is $350\text{mm} \pm 50\text{mm}$.

Dark dot: Cyan, Magenta or Yellow dot size defect at white display pattern. It can be recognized by 5% transparency of filter when the distance between eyes and panel is $350\text{mm} \pm 50\text{mm}$.

Note2: Mura on display which appears darker / brighter against background brightness on parts of display area.

12. Reliability Specification

No	Item	Condition	Quantity	Criteria
1	High Temperature Operating	+70°C, 96Hrs	2	GB/T2423.2-2008
2	Low Temperature Operating	-20°C, 96Hrs	2	GB/T2423.1-2008
3	High Humidity	+50°C, 90%RH, 96Hrs	2	GB/T2423.3-2006
4	High Temperature Storage	+80°C, 96Hrs	2	GB/T2423.2-2008
5	Low Temperature Storage	-30°C, 96Hrs	2	GB/T2423.1-2008
6	Thermal Cycling Test	-20°C, 60min~+70°C, 60min, 20 cycles.	2	GB/T2423.22-2012
7	Packing vibration	Frequency range:10Hz~50Hz Acceleration of gravity:5G X,Y,Z 30 min for each direction.	2	GB/T5170.14-2009
8	Electrical Static Discharge	Air: ±8kV 150pF/330 Ω 5 times Contact: ±4kV 150pF/330 Ω 5 times	2	GB/T17626.2-2006
9	Drop Test (Packaged)	Height:80 cm,1 corner, 3 edges, 6 surfaces.	2	GB/T2423.8-1995

Note1. No defection cosmetic and operational function allowable.

Note2. Total current Consumption should be below double of initial value

13. Precautions and Warranty

13.1 Safety

13.1.1 The liquid crystal in the LCD is poisonous. Do not put it in your mouth. If the liquid crystal touches your skin or clothes, wash it off immediately using soap and water.

13.1.2 Since the liquid crystal cells are made of glass, do not apply strong impact on them. Handle with care.

13.2 Handling

13.2.1 Reverse and use within ratings in order to keep performance and prevent damage.

13.2.2 Do not wipe the polarizer with dry cloth, as it might cause scratch. If the surface of the LCD needs to be cleaned, wipe it swiftly with cotton or other soft cloth soaked with petroleum IPA, do not use other chemicals.

13.3 Storage

13.3.1 Do not store the LCD module beyond the specified temperature ranges.

13.3.2 Strong light exposure causes degradation of polarizer and color filter.

13.4 Metal Pin (Apply to Products with Metal Pins)

13.4.1 Pins of LCD and Backlight

13.4.1.1 Solder tip can touch and press on the tip of Pin LEAD during the soldering

13.4.1.2 Recommended Soldering Conditions

Solder Type: Sn96.3~94-Ag3.3~4.3-Cu0.4~1.1

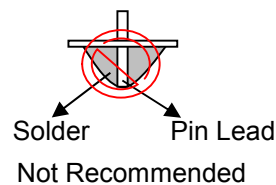
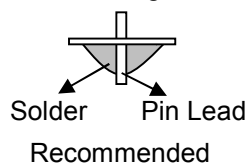
Maximum Solder Temperature: 370°C

Maximum Solder Time: 3s at the maximum temperature

Recommended Soldering Temp: 350±20°C

Typical Soldering Time: ≤3s

13.4.1.3 Solder Wetting



13.4.2 Pins of EL

13.4.2.1 Solder tip can touch and press on the tip of EL leads during soldering.

13.4.2.2 No Solder Paste on the soldering pad on the motherboard is recommended.

13.4.2.3 Recommended Soldering Conditions

Solder type: Nippon Alimit Leadfree SR-34, size 0.5mm

Recommended Solder Temperature: 270~290°C

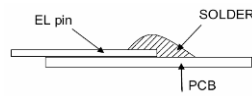
Typical Soldering Time: ≤2s

Minimum solder distance from EL lamp (body):2.0mm

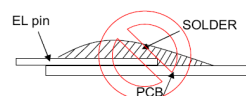
13.4.2.4 No horizontal press on the EL leads during soldering.

13.4.2.5 180° bend EL leads three times is not allowed.

13.4.2.6 Solder Wetting

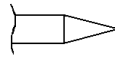


Recommended

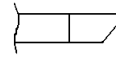


Not Recommended

13.4.2.7 The type of the solder iron:

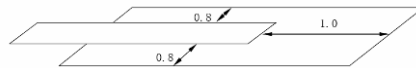


Recommended



Not Recommended

13.4.2.8 Solder Pad



13.5 Operation

- 13.5.1 Do not drive LCD with DC voltage
- 13.5.2 Response time will increase below lower temperature
- 13.5.3 Display may change color with different temperature
- 13.5.4 Mechanical disturbance during operation, such as pressing on the display area, may cause the segments to appear "fractured".
- 13.5.5 Do not connect or disconnect the LCM to or from the system when power is on.
- 13.5.6 Never use the LCM under abnormal condition of high temperature and high humidity.
- 13.5.7 Module has high frequency circuits. Sufficient suppression to the electromagnetic interface shall be done by system manufacturers. Grounding and shielding methods may be important to minimize the interference.
- 13.5.8 Do not display the fixed pattern for long time (we suggest the time not longer than one hour) because it may develop image sticking due to the TFT structure.

13.6 Static Electricity

- 13.6.1 CMOS LSIs are equipped in this unit, so care must be taken to avoid the electro-static charge, by ground human body, etc.
- 13.6.2 The normal static prevention measures should be observed for work clothes and benches.
- 13.6.3 The module should be kept into anti-static bags or other containers resistant to static for storage.

13.7 Limited Warranty

- 13.7.1 Our warranty liability is limited to repair and/or replacement. We will not be responsible for any consequential loss.
- 13.7.2 If possible, we suggest customer to use up all modules in six months. If the module storage time over twelve months, we suggest that recheck it before the module be used.
- 13.7.3 After the product shipped, any product quality issues must be feedback within three months, otherwise, we will not be responsible for the subsequent or consequential events.

14. Outline Drawing

