

# Technical features

## Display modules

**H725 E**

### Main applications :

- ▶ Petrol price signs.
- ▶ Scoreboards, sport timing.
- ▶ Queuing systems, stock exchange board.
- ▶ Industrial displays.
- ▶ Advertising, information board.
- ▶ Toll indications boards for highways and tunnel bridges.
- ▶ Time, temperature, date and sound displays.



### Technical features :

- ▶ Bi-stable 7 segments electromagnetic display modules with individually controlled segments.
- ▶ character height : 25 cm.
- ▶ White or yellow segments and black background.
- ▶ Casing and segments in polycarbonate material.
- ▶ Reflective display technology ideal for outdoor applications.
- ▶ Easy mounting with built-in twist locks.
- ▶ No power consumption at rest and very low at state change.
- ▶ Maintenance free operation.
- ▶ Life expectancy over 70 million operations.
- ▶ Power supply 12V +/- 20%.
- ▶ 3 types : with multiplexing card.  
without multiplexing card.

### Environment :

- ▶ Temperature : -40°C to +80°C (when using permanently above 40°C (104°F), the voltage at segment coils must be 12V minimum).
- ▶ Humidity up to 93 % without condensation.

### Norms :

- ▶ Low power supply : norm NF EN60950.
- ▶ Electromagnetic compatibility : norm NF EN50081-1.  
norm NF EN50082-1.



Yellow reflective segments



Yellow segments



White segments



Multiplexing card

### Display modules references

	Yellow Segments	White Segments
▶ With multiplexing card	917230	917236
▶ Without multiplexing card	917231	917237
▶ With multiplexing card and reflective segments	917233	917239



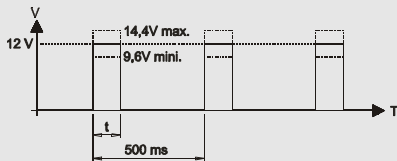
Ref. 643611C

# Technical features

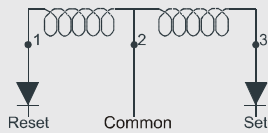
## Display modules

**H725 E**

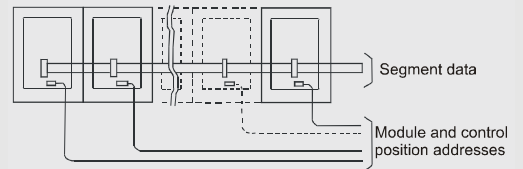
**Impulses diagram**



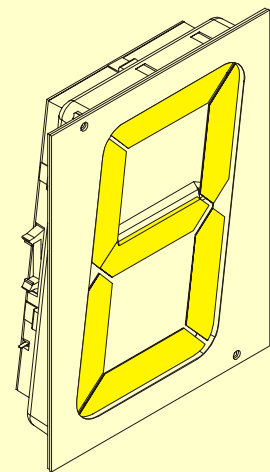
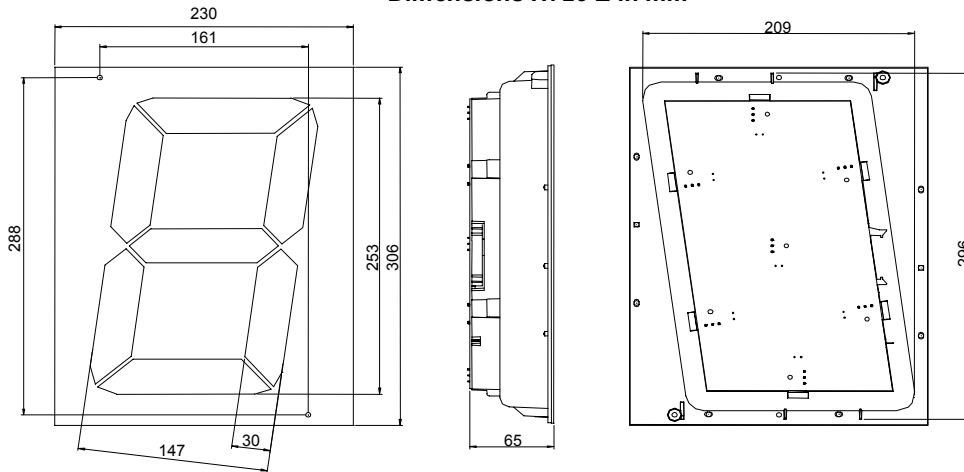
**Coil electrical diagram**



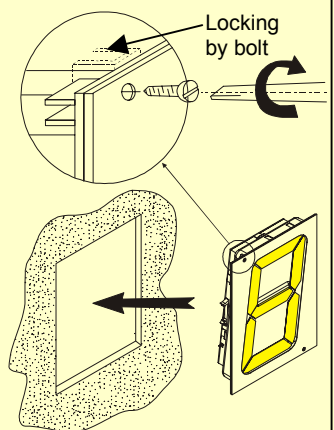
**Wiring principle – Multiplexing operation**



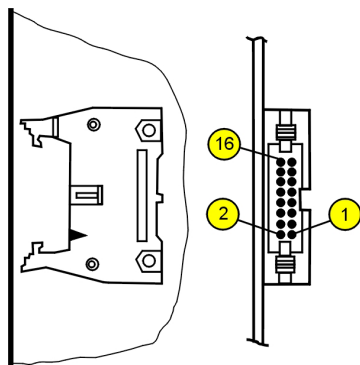
**Dimensions H725 E in mm**



**Mounting principle**



**Card connector**



PIN N°	1	2	3	4	5	6	7	8	9	10	11	12	13	14	15	16
FUNCTION																
SEGMENT	X	D	E	C	E	C	F	B	F	B	G	A	G	A	G	A
	■															
	RESET															
		□														
		SET														

Technical features	H725 E
Maximum readability	100 m
Character size	253 mm
Module weight	890 g to 925 g according to model
Voltage requirement at 20°C (68°F)	12V ± 20%
Minimum pulse duration	t = 150 ms
Pulse current per segment at 12 V, at 20°C (68°F)	353 mA
Coil resistance at 20°C	34 Ω

