

Data sheet

734-205/037-000

**FEMALE PLUG WITH LOCKING LEVER
PIN SPACING 3.81 MM / 0.15 IN 100% PROTECTED AGAINST MISMATING WITH
CODIG FINGERS**



Technical data

Package size 50 pieces.

Pin spacing from	3.81 mm
Pin spacing from	0.15 in
pole count	5
Cross section from [mm ²]	0.08 mm ²
Cross section to [mm ²]	1.5 mm ²
Cross section from [AWG]	28 AWG
Cross section to [AWG]	14 AWG
Voltage UL	250 V
Voltage CSA	300 V
Current UL	10 A
Current CSA	10 A
Measured voltage EN	250 V
Measured shock voltage	2.5 kV
Pollution degree	2
Current intensity EN	10 A
Weight	4.694 g
Color	orange
No. of connection Points	5
No. of potentials	5
Height	13.4 mm
Height	0.528 in
Width	30.85 mm
Width	1.215 in

Data sheet**734-205/037-000****FEMALE PLUG WITH LOCKING LEVER
PIN SPACING 3.81 MM / 0.15 IN 100% PROTECTED AGAINST MISMATING WITH
CODIG FINGERS**

Depth	18.6 mm
Depth	0.732 in
Strip length from	7 mm
Strip length to	7 mm
Strip length	0.28 in

xxx-xxx/033-000	Strain relief plate 12,5 mm
-----------------	-----------------------------

Data sheet

734-205/037-000

**FEMALE PLUG WITH LOCKING LEVER
PIN SPACING 3.81 MM / 0.15 IN 100% PROTECTED AGAINST MISMATING WITH
CODIG FINGERS**

Approval	Voltage	Current	Approval number	Notes
CCA	250	10	123898-02	
CCA	250	10	NL5641	
CSA	300	10	154112-1465035	
KEMA	250	10	2077592.02	
UL	250	10	E45171	
UL	300	10	E45172	

Data sheet

734-205/037-000

**FEMALE PLUG WITH LOCKING LEVER
PIN SPACING 3.81 MM / 0.15 IN 100% PROTECTED AGAINST MISMATING WITH
CODIG FINGERS**

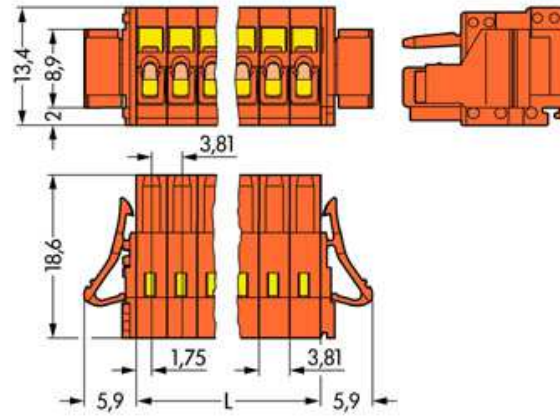
Accessories**Item number**

OPERATING STICKER FOR MULTI CONNECTION SYSTEM	210-199
SCREWDRIVER Type 1, bar (2,5 x 0,4) mm	210-119
SCREWDRIVER WITH PARTIALLY INSULATED SHAFT Type 1, bar (2,5 x 0,4) mm	210-619
SNAP-ON TYPE RELIEF HOUSING SUITABLE FOR PIN SPACING 3.81 MM / 0.15 IN	734-635
STRAIN RELIEF PLATE FOR SERIES 734	734-228

Data sheet

734-205/037-000

FEMALE PLUG WITH LOCKING LEVER
PIN SPACING 3.81 MM / 0.15 IN 100% PROTECTED AGAINST MISMATING WITH
CODIG FINGERS



Data sheet

734-205/037-000

**FEMALE PLUG WITH LOCKING LEVER
PIN SPACING 3.81 MM / 0.15 IN 100% PROTECTED AGAINST MISMATING WITH
CODIG FINGERS**

L = No.of poles x pin spacing