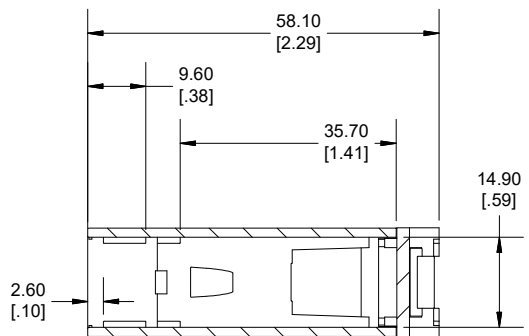
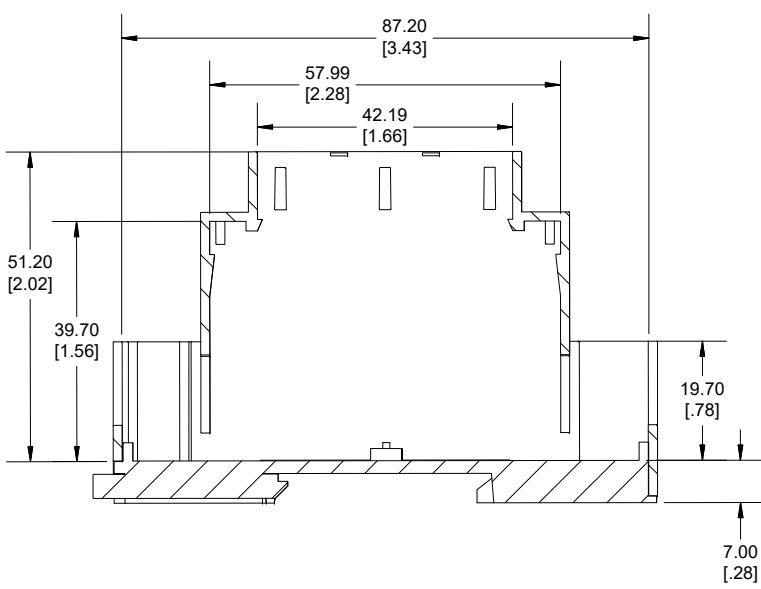
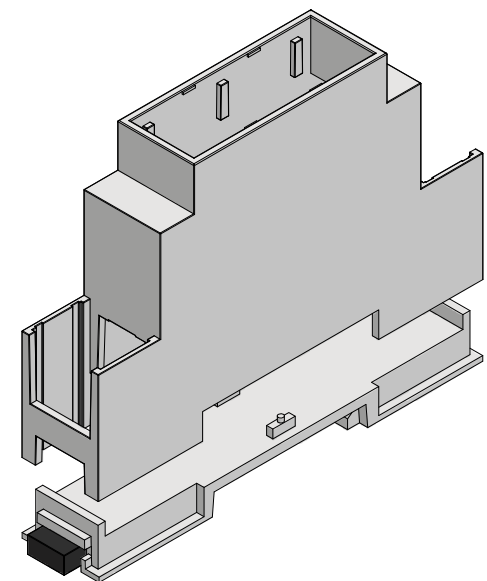


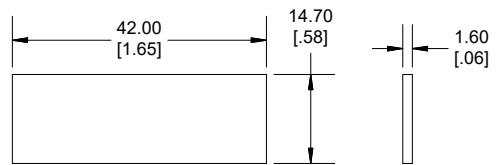
TOP VIEW



**SECTION B-B
END VIEW**



**SECTION A-A
SIDE VIEW**



**1597DIN1MPTPC
TOP COVER
NOT
INCLUDED**

Enclosures can be Factory Modified (Milling, Drilling, Printing etc.)
 Contact Factory (modshop@hammfg.com) for quotes
 Solid models of this enclosure available in .stp or .x_t
 (Part number and text placement/orientation on our products are subject to change,
 we do not recommend using them as a locating reference for modification purposes)

NOTE	
Purchased enclosure includes base, cover and din clip. Cover and base made from PPO.	
PART NUMBERS	
1597DIN	
Enclosure grey Module 1	1597DIN1MH53
ACCESSORIES	
TOP PANEL COVER, CLEAR	1597DIN1MPTPC
BREAD BOARD	1597D4MADP
DIN CLIP FOR 1M WITH SPRING	1597DINCLIP1M

**HAMMOND
MANUFACTURING®**

1597DIN1MH53

www.hammondmfg.com

TERMINAL COVER
DRAWINGS ARE
AVAILABLE

Dimensions:
mm
[inches]