

The XTR-7020A-4 is a **10 channel** transceiver which compared with the XTR-903A-4, offers improved performance, as such as longer RF range, serial transmission speed and error checking. It has the same pin out.

The data is transmitted in FSK modulation which assures a larger immunity to noise compared with amplitude modulation, allowing a range of more than 300 m in free air, by using omnidirectional antennas.

The XTR-7020A-4 allows data transfer by **TTL RS-232** logic by utilising a microcontroller which operates the redundancy over the RF data.???? The speed of the data at the input serial port (9600-19200-38400 bps and 9600-57600-115200 bps according to S5 register setting) can be set through SP1 and SP2 pins.

The data transmission is carried out according to *store and forward* technique: the data entered the serial port is memorized in a buffer and forwarded only at the end of their reception. During RF reception phase the bytes are memorized and transferred to the serial port only after checksum validation. In case of failure the whole lot is rejected.

The data transmission delay (between input and output ports), depends upon packet length and speed of both serial connections.

The high serial speeds (57600-115200bps) available, allows compensation of the introduced packaging delays: for instance a 64 Byte case, at a serial speed of 115200bps, the transmission delay shall be around 21ms, which is comparable, therefore, to XTR-903A-4.

The maximum packet length is 240 Byte.

By sending 'AT' type commands the communication channel, the serial speed and the outlet power can be selected and the RF channel occupation be monitored.

The module is mechanically compact and maintains the same reduced dimensions of the XTR-903A-4 model (23 x 33 mm). The supply voltage is 3 Volt.

The maximum power consumption is reduced to 10 μ A. in stand-by condition

Features

- **RS-232 signals store and forward operation**
- **No code or preamble demanded to User**
- **AT Commands for internal registers programming**
- **HyperTerminal* compatible**
- **Number of channels: 10**
- **Compact dimensions (23x33 mm)**
- **Bit rate: 9600, 19200, 38400, 57600, 115200 bps**
- **Power transmitted: 10 mW max.**
- **3v power supply**
- **Typical range: 300 m**

Applications

- **Wireless handsfree**
- **House automation**
- **Telemetry**
- **Access control ???**
- **Instruments monitoring**
- **Data acquisition**
- **POS terminals**

* Trade Mark by Hilgraeve, Inc.

Absolute limits

Operating temperature	-20 °C ÷ +70 °C
Storage temperature	-40 °C ÷ +100 °C
Power supply	+6V
Input voltage	-1.0 ÷ Vcc + 0.3V
Output voltage	-1.0 ÷ Vcc + 0.3V

Technical features

	Min.	Typ.	Max.	Unit
DC Levels				
Supply voltage	2.7	3.3	3.6	V
Power consumption (rx mode)		26		mA
Power consumption (tx mode @ -8 dBm)		20		mA
Power consumption (tx mode @ 10 dBm)		31		mA
Power consumption (stand-by mode)		8	10	µA
Logic level "1" in input/output	0.7xVcc		Vcc	V
Logic level "0" in input/output	0		0.3xVcc	V
RF				
Band	433.19÷434.57			MHz
Modulation type		FSK		
RX Sensibility (@ 115200 bps)		-100		dBm
TX Power	-8		10	dBm
Performance				
Serial Bit Rate ¹	9600, 19200, 38400, 57600, 115200			bps
Outdoor range		300		m
Number of channels			10	
Channel Spacing		153.6		kHz
Commutation times				
PWRDN → RX	TBD			ms
TX → RX			TBD	ms
RX → TX			TBD	ms
Default setting				
Channel		433.96		MHz
Output Power (tx)		10		dBm

¹ As input serial signal is intended 8,n,1.

Pins description

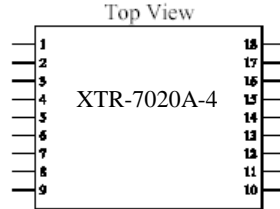



Fig. 1: Device's pinout

Pin		Description																								
1,3	RF GND	Connection with RF ground plane																								
2	ANT	Antenna connection, 50 ohm impedance																								
4, 5, 6, 7, 8	/	Not in use in this model																								
9,10,18	GND	Connection to ground plane																								
11,15	SP1, SP2	Serial speed selection pins. The selection must be carried out before switching on the device <table border="1" data-bbox="657 1010 1219 1193" style="margin: 10px auto;"> <thead> <tr> <th colspan="2">Jumper</th> <th colspan="2">Serial speed</th> </tr> <tr> <th>S1</th> <th>S2</th> <th>S5=0</th> <th>S5=1</th> </tr> </thead> <tbody> <tr> <td>Open</td> <td>Close</td> <td>38400</td> <td>115200</td> </tr> <tr> <td>Close</td> <td>Open</td> <td>19200</td> <td>57600</td> </tr> <tr> <td>Open</td> <td>Open</td> <td>9600</td> <td>9600</td> </tr> <tr> <td>Close</td> <td>Close</td> <td>Test Mode: pseudonoise</td> <td>Test Mode : data packet</td> </tr> </tbody> </table>	Jumper		Serial speed		S1	S2	S5=0	S5=1	Open	Close	38400	115200	Close	Open	19200	57600	Open	Open	9600	9600	Close	Close	Test Mode: pseudonoise	Test Mode : data packet
Jumper		Serial speed																								
S1	S2	S5=0	S5=1																							
Open	Close	38400	115200																							
Close	Open	19200	57600																							
Open	Open	9600	9600																							
Close	Close	Test Mode: pseudonoise	Test Mode : data packet																							
12	RSRX	Serial data output with TTL RS-232 logic with 1 start bit (0V), 8 data bit and 1 stop bit (3V). The line must be driven at high logic level (3V)																								
13	485EN	The 485EN line allows to drive the RS-232 / RS-485 interface. In correspondence of the output data on the RSRX line, the signal reaches a high logic level. 																								
14	RSTX	Serial data input with TTL RS-232 logic with 1 start bit (0V), 8 data bit and 1 stop bit (3V). The line must be driven at high logic level.																								
16	PWRDN	Device state. In Power Down the transceiver XTR-7020A-4 goes off reducing the consumption to less than 10µA. <table border="1" data-bbox="727 1615 1134 1711" style="margin: 10px auto;"> <thead> <tr> <th>PWRDN</th> <th>STATE</th> </tr> </thead> <tbody> <tr> <td>0</td> <td>On</td> </tr> <tr> <td>1</td> <td>Off</td> </tr> </tbody> </table> <p>It is recommended not to leave the pin under a variable voltage if inactive, in order to prevent module's malfunctionings</p>	PWRDN	STATE	0	On	1	Off																		
PWRDN	STATE																									
0	On																									
1	Off																									
17	Vcc	Module's supply (3V), duly filtered and adjusted.																								

Tab. 1: Pins description

Technical specifications may be changed without notice. AUREL S.p.A. declines all responsibilities deriving from a wrong utilisation of the equipment.

XTR-7020A-4 Operating mode

The device's operating modes can be summarized in 6 conditions (Fig. 2):

1. **Test Mode**
2. **Idle Mode**
3. **RF Transmit Mode**
4. **RF Receive Mode**
5. **Power Down Mode**
6. **Command Mode**

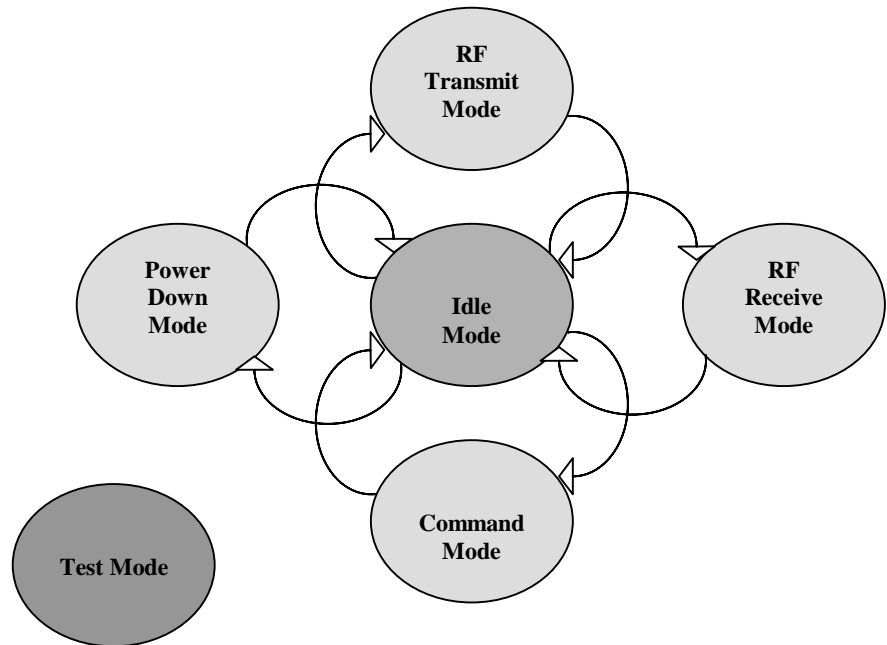


Fig. 2 Operating modes

1. Test Mode

The Test Mode can be reached by short circuiting pins SP1 and SP2 to ground, prior to switching on the device. According to S5 register content, two different test modes can be obtained:

- S5=0: An RF continuous transmission of a carrier modulated by a 20 kHz signal composed by a sequence of pseudorandom data.
- S5=1: Transmission of a data packet defined by a 4 digits incremental numerical value.

To exit such mode the supply must be cut off and a new configuration of SP1 and SP2 must be selected.

2. Idle Mode

It is the initial rest state of the device when is switched on (if SP1 and SP2 select the Test Mode): in such operating mode the transceiver waits the data reception from RF or from the RSTX serial line.

3. RF Transmit Mode

From the inactive condition (Idle Mode) the module switches to an RF transmission state, when on the RSTX input line (pin 14) is available a start bit (low logic level, 0V) and consequently at list one byte of data.

The mechanism of data transfer *Store & Forward* may be described by pairs of operations in a sequence.

Technical specifications may be changed without notice. AUR'EL S.p.A. declines all responsibilities deriving from a wrong utilisation of the equipment.

- Unit A serial reception / Unit A RF transmission
- Unit B RF reception / Unit B serial transmission [Fig. 3]

The lack of data at the XTR-7020A-4 module's input is established by the expiring of a Timeout (determined according to the speed of the data serial). Once it is off, the transceiver does not memorize further incoming data until the RF transmission, of those already inside its reception buffer, is carried out.

The data is transmitted through an RF channel only after the serial reception is over. In the same way the receiver analyzes the received packets from the RF, proceeding then with the serial transmission if the data is valid or discarding them if not correct.

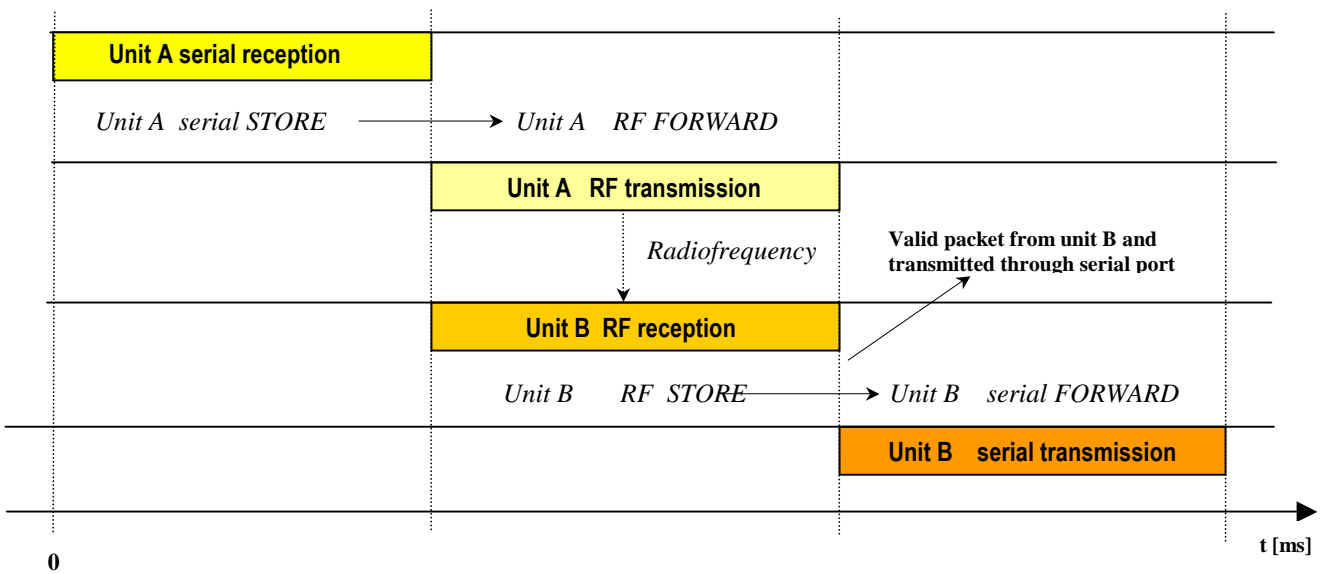


Fig. 3: Store & Forward mechanism

As shown by the Fig. 3 time diagram, the time interval, from the starting moment (instant 0) when the data reaches the module's port, to the moment when it is received by the remote module, is the function of the number of Bytes that form the packet and of the serial speeds used for the reception as well as for the transmission.

For the correct operation of the device consider that the phases contemporaneity??? inside the same unit is not allowed; for instance : the data that possibly has entered through serial port of unit A is not memorized in the input buffer if the same unit is in RF transmission phase.

Same thing for unit B; it is not allowed to receive RF data while the previous bytes packet is under serial transmission.

Fig. 4 shows the case of the transmission of two packets in a sequence from unit A to unit B: packet #1 enters unit A and is transmitted to unit B that forwards it through the serial port. The transmission of the packet #2 must be carried out bearing in mind that the end of the serial reception of unit A has to take place AFTER the end of the serial transmission of packet #1 by unit B so to avoid the overlapping of the RF reception and of the serial transmission phases in this device: it is therefore necessary to enter a safety interval between the transmissions of the two packets in function of the number of byte of the first packet, of

Technical specifications may be changed without notice. AUR'EL S.p.A. declines all responsibilities deriving from a wrong utilisation of the equipment.

the serial speed of unit B and in function of the time required $T_{RF} [ms]$ for the transmission of the packet on the RF which depends upon the number of bytes of the packet and it is given by

$$T_{RF} [ms] = K + 0.139 \cdot N_{byte}$$

with $K=4,21$ @9600bps, $K=3,35$ @19200bps, $K=3,1$ @38400 and 57600bps, $K=2,8$ @115200bps.

The last byte of the second packet must enter unit A after unit B has ended the serial transmission of the first packet .

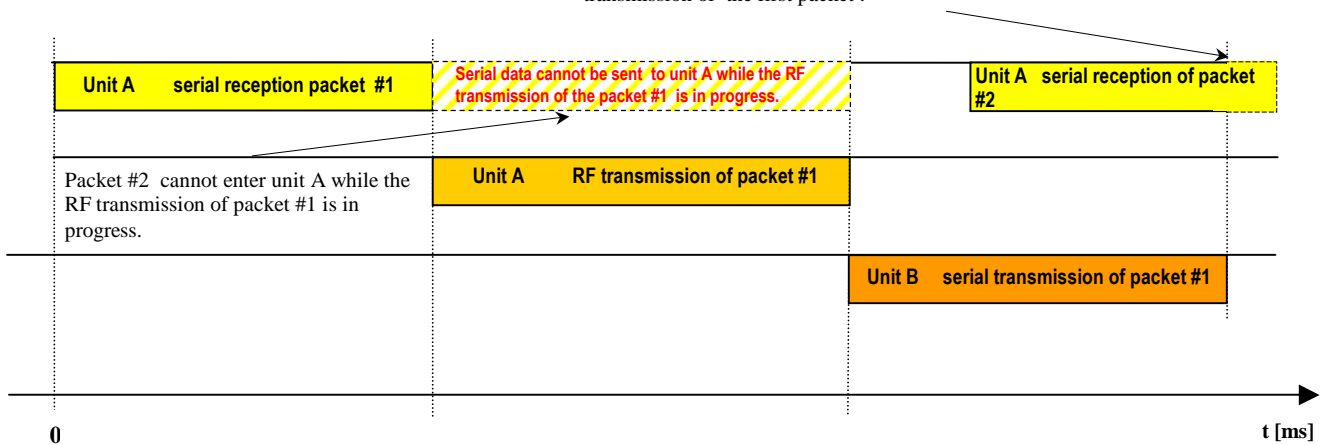


Fig. 4: Two data packets transmission

5. Power Down Mode

By bringing to high level (+3V) pin 16 (PWRDN), the device enters into a power saving state; the consumption in fact is limited to less than 10 μA . In this mode, the transceiver can neither receive nor transmit. It is necessary to commutate pin 16 to low level (0V) to bring it back to the normal operating state (Idle mode).

In such a state the RSTX line must be maintained to the high logic level (+3V) to avoid a wrong data transmission when the module is switched on.

6. Command Mode (XTR-7020A-4 module programming)

The Command Mode state allows the Owner to configure the operating parameters of the device. The programming is carried out by means of 'AT' type commands sent to the RSTX line (pin 14) at the speed set by means of pins SP1 and SP2 (pin 11 and 15). The module's answers shall be given on the RSRX line (pin 12).

To enter Command Mode from Idle Mode it is necessary to send on the RSTX line (pin 14) a sequence of 3 consecutives ASCII characters '+', i.e.: (+++). A module under Command Mode state is unable to RF reception.

Technical specifications may be changed without notice. AUREL S.p.A. declines all responsibilities deriving from a wrong utilisation of the equipment.

Available Registers and Commands

The commands that can be issued to XTR-7020A-4 module concern the reading and writing of the registers containing the operation setting of the device.

The reading and writing of the configuration register and the sending of the commands to the module is carried out by entering the 'AT' sequence before the command's or register's name.

The 16 programmable registers (from S1 to S16) can be read or written according to their function.

Register	Name	Function	Values	R/W
S1	BAND	Operating band of the transceiver	0 = 433-434 MHz *	R
S2	CHANNEL	Operating channel	0 = 433,19 MHz ³ 1 = 433,34 MHz 2 = 433,50 MHz 3 = 433,65 MHz 4 = 433,80 MHz 5 = 433,96 MHz * 6 = 434,11 MHz 7 = 434,27 MHz 8 = 434,42 MHz 9 = 434,57 MHz ³	R/W
S3	POWER	Device's output power level	0 = - 8 dBm 1 = - 2 dBm 2 = + 4 dBm 3 = + 10 dBm *	R/W
S4	RFON	It switches On or OFF the module's transmission power	0 = Power RF ON * 1 = Power RF OFF	R/W
S5	SER	Selection of the serial speeds' two benches	0= 'slow' bench* 1= 'fast' bench	R/W
S15	VERSION	Code showing the firmware version	Variable	R
S16 (#)	RSSI	It supplies a digital indication of the power received level, with a gradual scale from 0 to 9	0 = Min power received 9 = Max power received	R

* = default values

³ = Channel not to be used with max power

Command	Name	Function
WR	WRITE	Writing of the registers' values in EEPROM
CC	COMMAND CLOSE	Command Mode exit

Tab. 3: Commands

(#) Note on register S16 use

The reading of the S16 register implies the activation of an analysis procedure of the RF channel on which the module has been programmed. Such a routine lasts for about 200ms (prefixed). The analysis result is supplied at the end of the operation. No other operation should be carried out during such interval.

The channel analysis can be utilized whether to verify if it is already occupied by an interfering source, or to verify the reception quality in case we intend to test the quality of an under planning connection. In this connection it is suggested to initialize an XTR-7020A-4 module under Test Mode, to shift it in the different points where the covering has to be

Technical specifications may be changed without notice. AUREL S.p.A. declines all responsibilities deriving from a wrong utilisation of the equipment.

analyzed and then monitor the quality of the radio signal received, by reading repeatedly the S16 register of an other XTR-7020A-4 unit, set on the same channel.

Answers to commands and operations on registers

Positive answer: **OK<CR><LF>**
Negative answer: **<bl> ERROR<CR><LF>**
Forbidden operation: **<bl> NO ACCESS<CR><LF>**

With <CR> Carriage Return, ASCII character 13; <LF> Line Feed, ASCII character 10; <bl> ASCII character 32.

Reading of a register

Syntax: **ATSx<CR><LF>** [x = 1, ...,16 register to be read]
Answer : value contained in the register if the command has been correctly issued followed by <CR><LF>.

The registers' value is returned, figure by figure, under ASCII value.

Example: '16' is the sequence of ASCII codes 0x31,0x36, corresponding precisely to figure '1' and '6'. Such interpretation procedure must be followed even for the writing of a register's value.

Writing of a register

Syntax: **ATSx=Y<CR><LF>** [x = 2, 3, 4 register to be written,
y = value to be entered]
Answer: as indicated to para 'Answers to commands' above

All values programmed in the registers cause a variation of the module's operating conditions that will be lost once the device is switched off, unless they are saved in the EEPROM memory of the microcontroller by means of the relevant command ATWR: in such case the modified values shall be active also to subsequent switching on.

Command to save the registers' value in EEPROM

Syntax: **ATWR<CR><LF>**
Answer: as indicated to para 'Answers to commands' above

Exit command from Command Mode

Syntax: **ATCC<CR><LF>**
Answer: as indicated to para 'Answers to commands' above

Technical specifications may be changed without notice. AUREL S.p.A. declines all responsibilities deriving from a wrong utilisation of the equipment.

The exit from Command Mode, in absence of the ATCC command, takes place automatically after approx. 5 seconds of inactivity.

Operations

It is possible to chain several operations by mixing actions on one single register and writing or exit commands on a single command line through the operator <,>.

In the following example the S3 register's value is set to 2, the modification is saved and the programming function is quitted:

Example #1: Writing of a register and value save. Exit from Command Mode

```

ATS3=2,WR,CC <CR><LF>
OK<CR><LF>

```

As it can be seen from the example, the prefix AT is applied only for the first command of the line, while for the subsequents must be skipped. The commands chaining is possible only on one register at a time for writing operations; if carried out along with a reading command it will engender an error answer.

Example #2: Register reading attempt and exit from Command Mode

If it is attempted to enter the command `ATS1,CC<CR><LF>` it will be realized that is not possible and that the module will indicate an error when the coma is typed. The screen shall display what follows:

```

ATS1,<bl> ERROR<CR><LF>

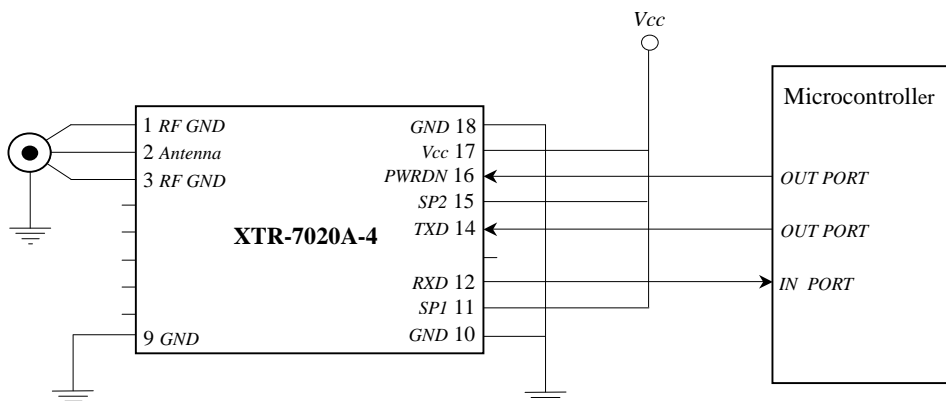
```

The commands are not case sensitive therefore can be typed in upper or lower-case.

See Appendix A for further examples.

Application Examples

Fig. 5 shows a typical application of the XTR-7020A-4 connected to a microcontroller that, besides to receive and transmit data on the two input and output lines (RSTX and RSRX), it drives also the PWRDN.



Technical specifications may be changed without notice. AUR'EL S.p.A. declines all responsibilities deriving from a wrong utilisation of the equipment.

Fig. 5: Example of a 9600 bps connection (SP1 and SP2 to Vcc) between a XTR-7020A-4 and a microcontroller

Fig. 6 shows an example of connection between an XTR-7020A-4 module and the serial port of a PC: the integrated circuit interposed between the transceiver and the port, performs only the conversion function between the electrical levels of the RS-232 and the TTL logic.

By means of the RTS signal (pin 7 of the DB9 port) it is possible to drive the PWRDN line, while the serial speed selection is fixed to 9600 bps.

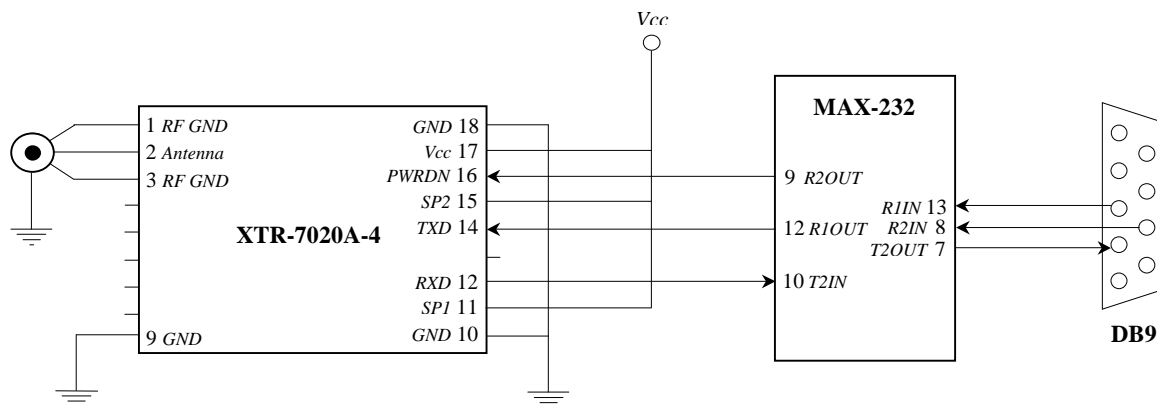


Fig. 6: Example of the connection between an XTR-7020A-4 and the serial port RS-232 at 9600 bps (SP1 and SP2 to Vcc)

Standards of reference

The XTR-7020A-4 transceiver complies with European Standards **EN 300 220**, and **EN 301 489**. The tests are carried out transmitting and receiving Pseudo Random (CEPT 70-03) Codes. The occupation band is verified by using a Pseudo Random Code at 115200 bps. Besides, the product has been tested according to **EN 60950** Standards and it is utilized inside a special isolated case which guarantees its compliance to the above mentioned Standards. The transceiver must be fed by a very low voltage and safety source protected against short circuits.

The usage of the transceiver module is foreseen inside cases that guarantee the compliance to **EN 61000-4-2** Standards not directly applicable to the module itself. In particular, is left to user's care the isolation of the connection to the outdoor antenna and of the antenna itself since the RF output of the receiver is not in the position to directly bear the electrostatic charges foreseen by the a.m. standards.

CEPT 70-03 Recommendation

The XTR-7020A-4 transceiver operates in a harmonized frequency band therefore, in order to comply with the current regulations; the device must be utilized in the time scale, for a maximum hourly duty-cycle of 10% (equal to 6 minutes of use over 60).

Technical specifications may be changed without notice. AUR'EL S.p.A. declines all responsibilities deriving from a wrong utilisation of the equipment.

The antenna suggested solution (loop antenna) guarantees the compliance with the regulation concerning the irradiated power.

Mechanical dimensions

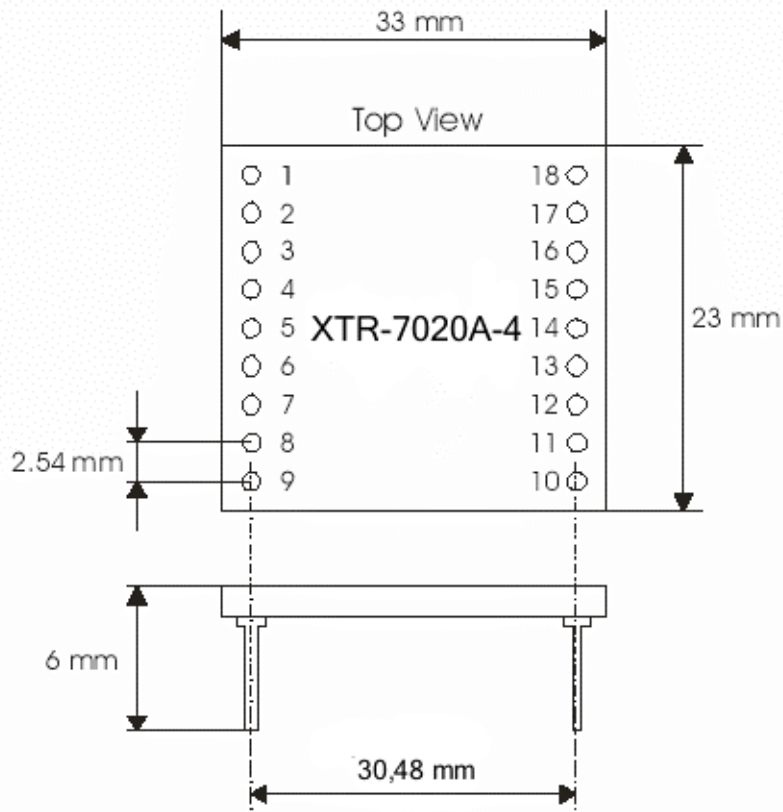


Fig. 7: Mechanical dimensions

Appendix A – More examples of operations with registers

Example #3: reading of the module's operating band

```
+++OK <CR><LF>
ATS1 <CR><LF>
0 <CR><LF>           [0= 433-434 MHz band]
```

Example #4: variation of the module's operating band

Technical specifications may be changed without notice. AUREL S.p.A. declines all responsibilities deriving from a wrong utilisation of the equipment.

```
+++OK <CR><LF>  
ATS1=2 <CR><LF>  
<b> NO ACCESS<CR><LF>
```

Syntax error: the S1 register is available for reading only

Example #5: Channel reading

```
+++OK <CR><LF>  
ATS2 <CR><LF>  
2 <CR><LF> [2= 433.5 MHz channel]
```

Example #6: Channel selection

```
+++OK <CR><LF>  
ATS2=8 <CR><LF> [8= 434,42 MHz channel]  
OK <CR><LF>
```

Example #7: Output power reading

```
+++OK <CR><LF>  
ATS3 <CR><LF>  
1 <CR><LF> [1= power -2dBm]
```

Example #8: Output power selection

```
+++OK <CR><LF>  
ATS2=3 <CR><LF> [3= power +10dBm]  
OK <CR><LF>
```

Example #9: Reading of the received signal

```
+++OK <CR><LF>  
ATS16 <CR><LF>  
9 <CR><LF> [9 = busy channel, maximum received power]
```

Example #10: Reading of the received signal

Technical specifications may be changed without notice. AUREL S.p.A. declines all responsibilities deriving from a wrong utilisation of the equipment.

+++OK <CR><LF>

ATS16 <CR><LF>

0 <CR><LF>

[free channel, minimum received power]