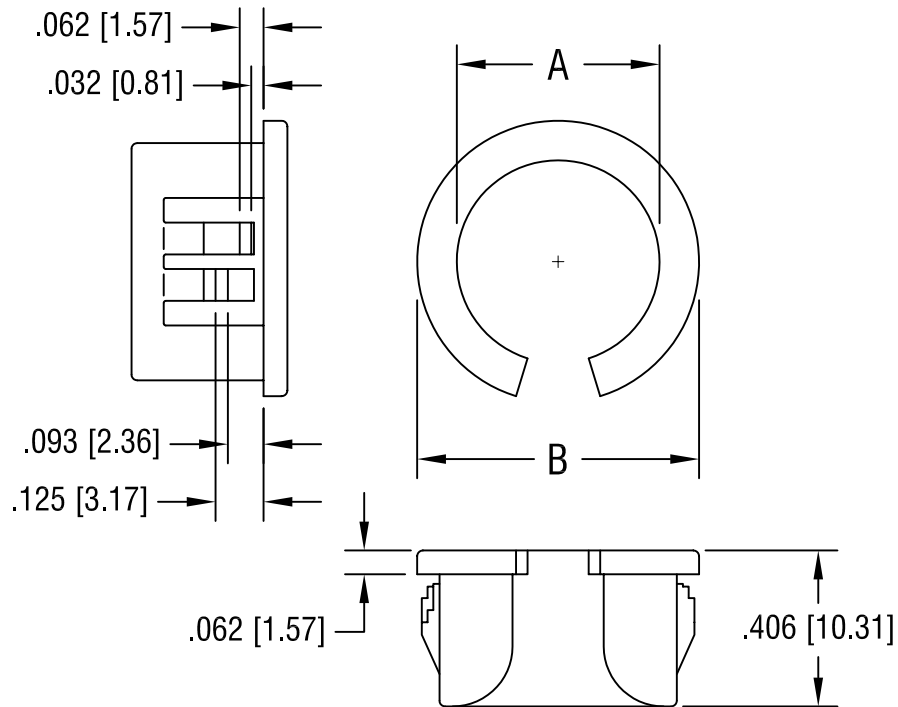


THIS DOCUMENT IS THE PROPERTY OF
KEYSTONE ELECTRONICS CORP. AND
SHALL NOT BE REPRODUCED, DISTRIBUTED
OR USED AS A BASIS FOR MANUFACTURE
WITHOUT PRIOR WRITTEN PERMISSION
FROM KEYSTONE ELECTRONICS CORP.



MOUNTING HOLE	'A' DIA.	'B' DIA.
.375 [9.52]	.265 [6.73]	.421 [10.69]

KEYSTONE ELECTRONICS CORP.

ASTORIA, N.Y. 11105-2017

PART NAME				NYLON SPLIT BUSHING	
MATERIAL				NYLON 6/6, BLACK UL 94V-2	
FINISH		DRN BY	BOONE	DATE	1.18.07
-		APP'D		SCALE	NONE
TOLERANCES	INCH	[MM]	CODE	DWG NO.	
DECIMAL	± .015	[± 0.38]	C/M	8490	
ANGULAR ± 1°			UNLESS OTHERWISE SPECIFIED		

DATE	DESCRIPTION	REV.