

# 2J2115K-868-B07H

868 MHz ISM Wall Mount

## Key Features

**868 MHz ISM**  
- 863-870 MHz  
Wall Mount  
High Performance  
Ground Plane Independent  
Customizable Cable and Connector  
Dimensions 271 × 30 × 115 (219 × Ø 16) mm



## 1. Antenna and electrical specifications

Parameters	868 MHz ISM Antenna
<b>Standards</b>	ZigBee, ISM, SIGFOX, LoRa
<b>Band (MHz)</b>	868 MHz
<b>Frequency (MHz)</b>	863-870
<b>Return Loss (dB)</b>	~-13.6
<b>VSWR</b>	~1.5:1
<b>Efficiency (%)</b>	~65.2
<b>Peak Gain (dBi)</b>	~3.2
<b>Average Gain (dB)</b>	~-1.9
<b>Impedance (Ohm)</b>	50
<b>Polarisation</b>	Linear
<b>Radiation Pattern</b>	Omni-Directional
<b>Max. Input Power (W)</b>	25
<b>Connector Type</b>	Most RF Connectors (SMA-Male Standard)
<b>Cable Length</b>	Any Cable Length (300cm Standard)
<b>Cable Type</b>	Other Cables Available (RG58 Standard)

### Antenna Measurement Conditions:

Free Space

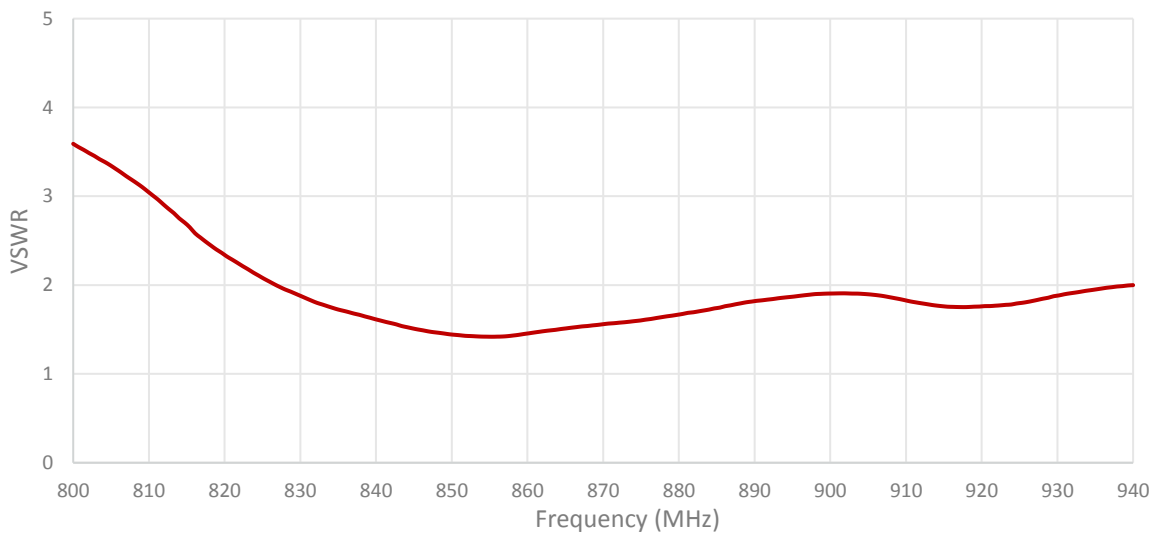
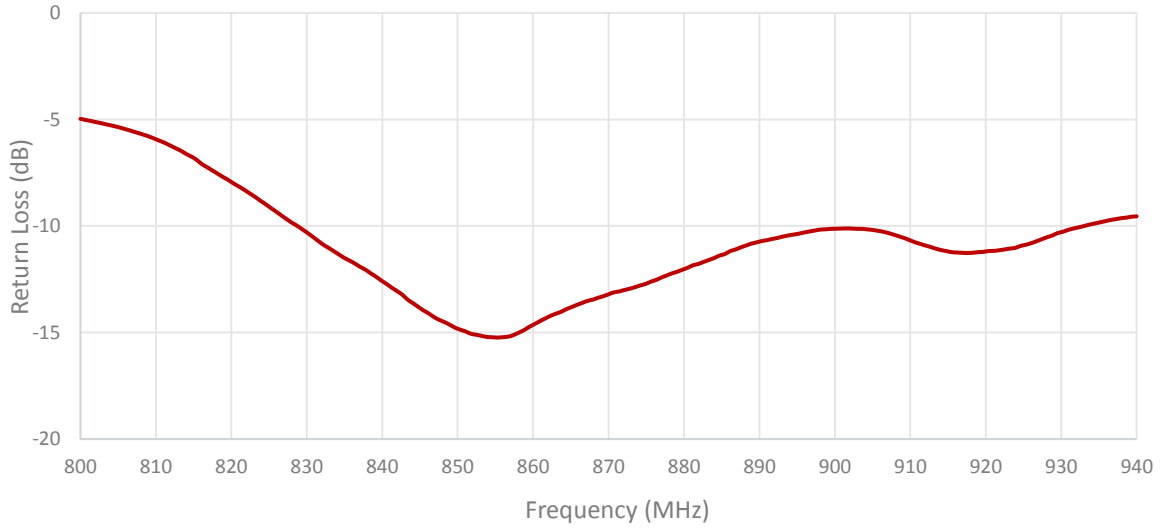
200 cm RG58 Cable

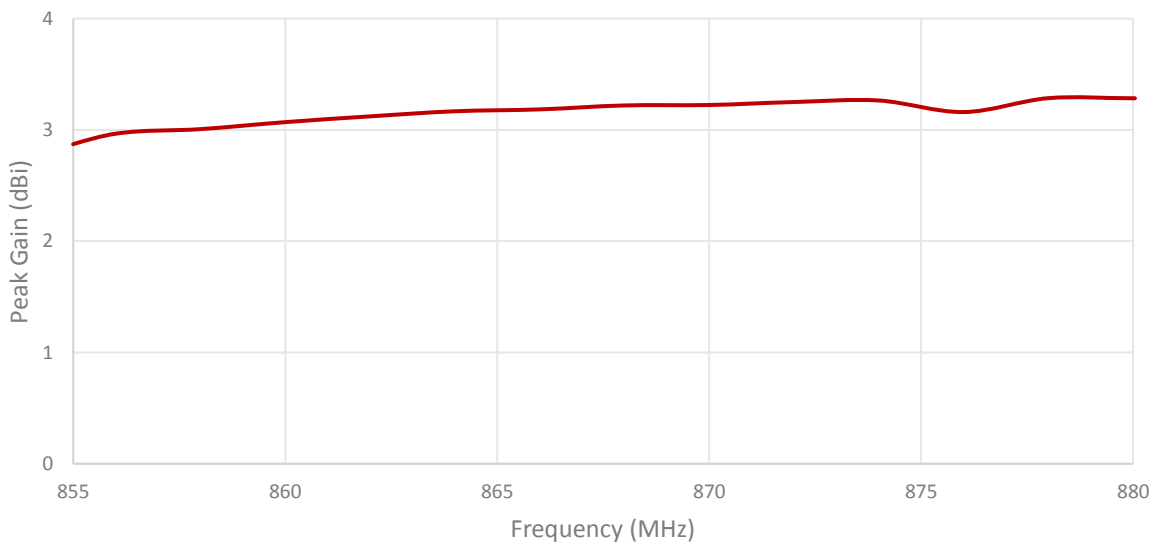
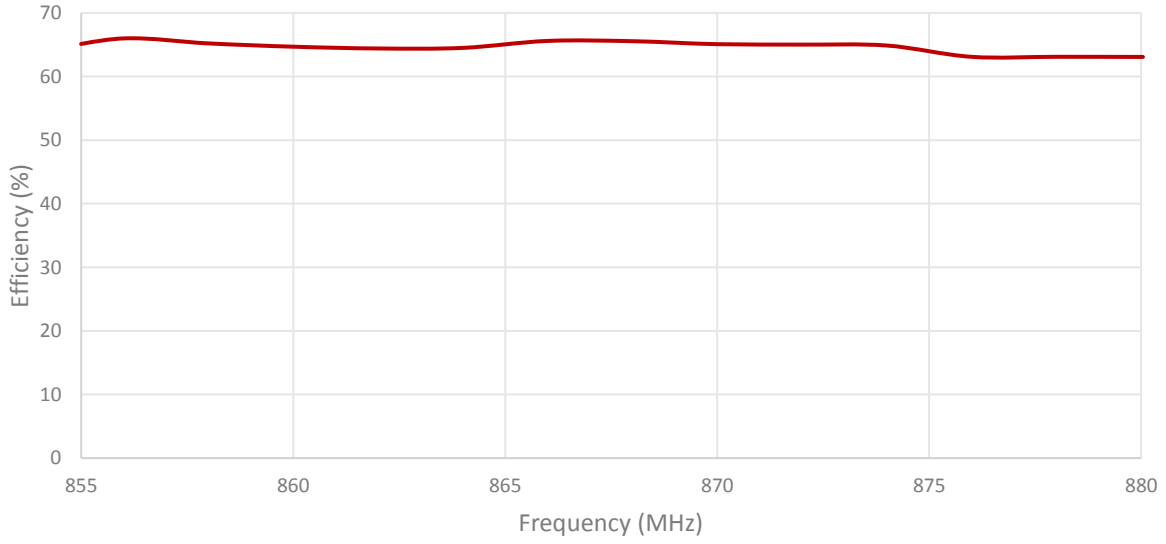
Measured in Certified CTIA 3D Anechoic Chamber

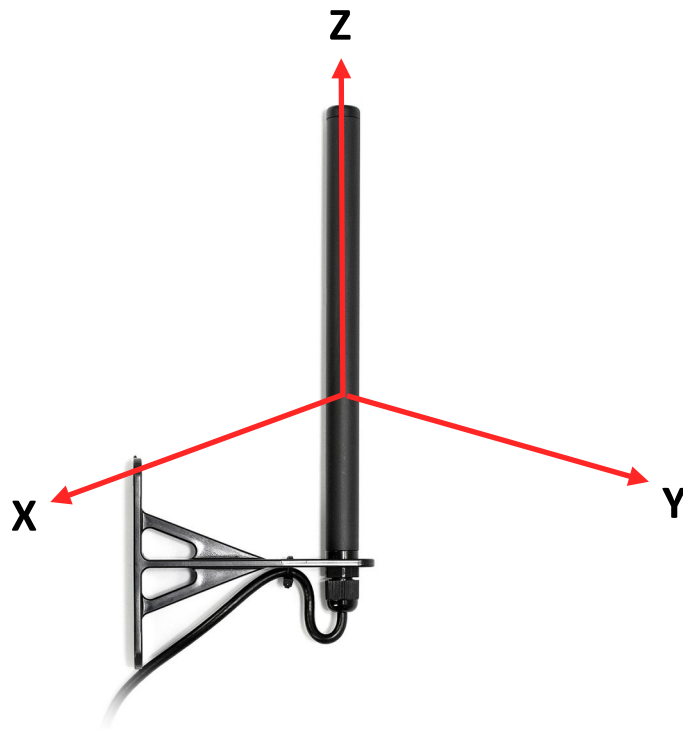
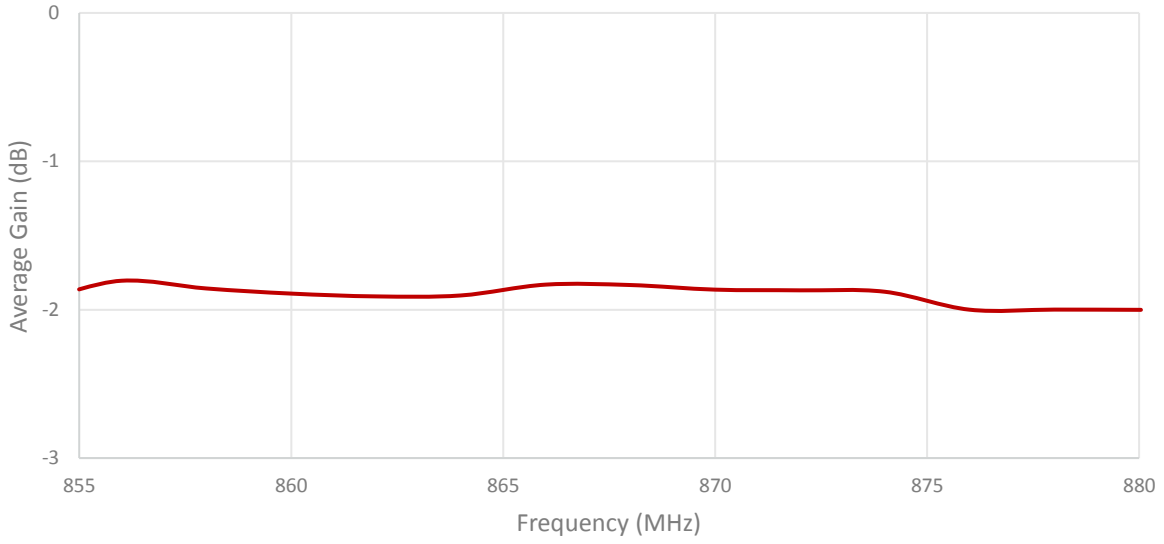
## 2. Mechanical and environmental specifications

Specifications	2J2115K-868-B07H
<b>Mounting Type</b>	Wall Mount
<b>Dimensions (mm)</b>	271 × 30 × 115 (219 × Ø 16)
<b>Radome</b>	PC/ABS UV Stable
<b>Radome color</b>	Black
<b>Bracket</b>	PC/ABS UV Stable
<b>Operating Temperature (C)</b>	-40 to +85
<b>Storage Temperature (C)</b>	-40 to +85
<b>Substance Compliance</b>	RoHS

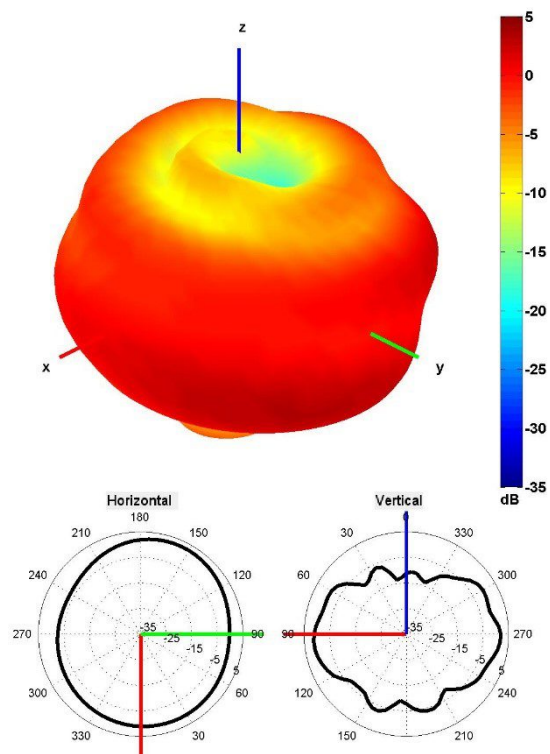
### 3. Antenna parameters





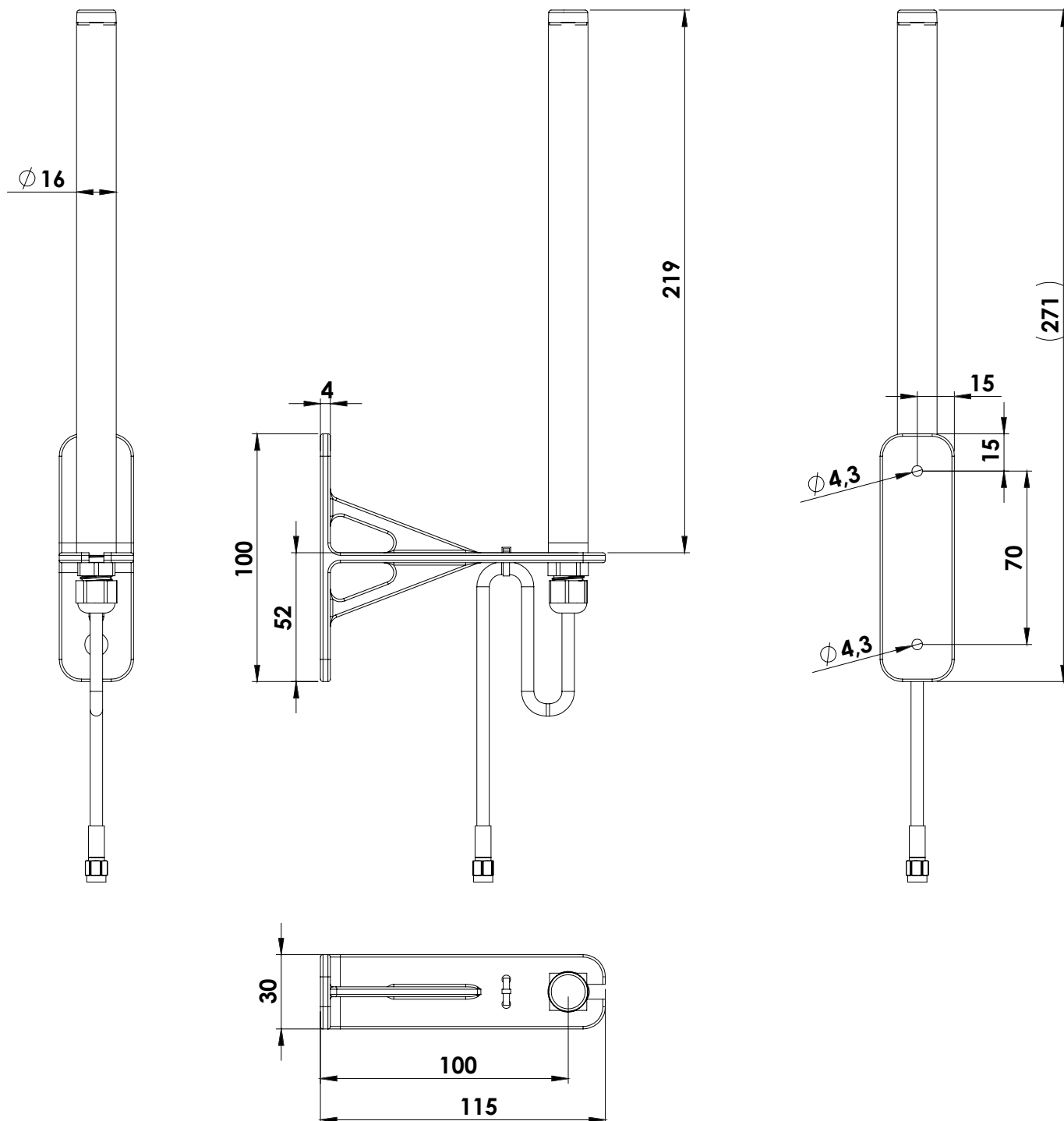


Radiation pattern reference



868 MHz Radiation pattern

## 4. Antenna drawings



## 5. Antenna Images

