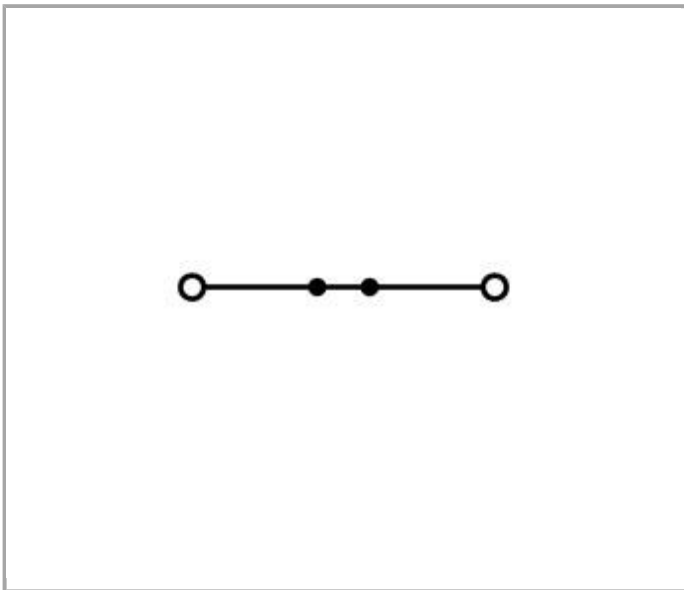
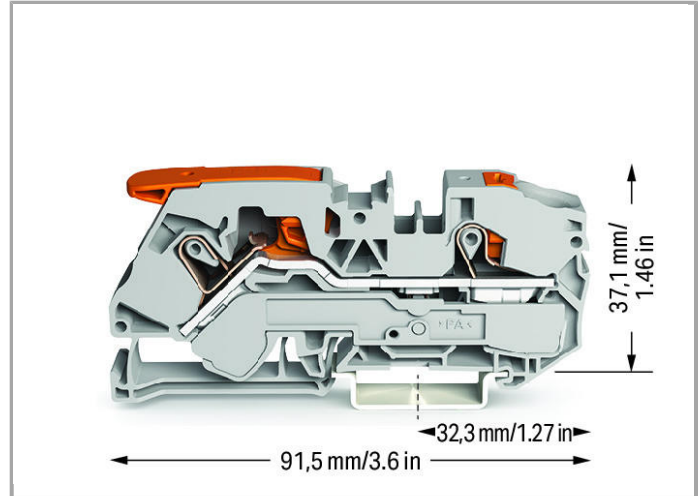
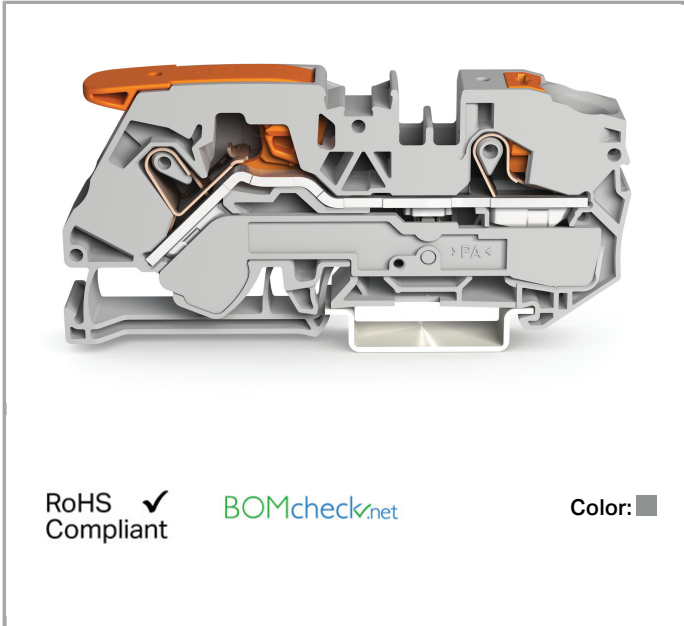


Data sheet | Item number: 2116-5201

TOPJOB®S feedthrough terminal block with Lever and Push-button; rail mount; 2-conductor; 10 mm wide; gray



[www.wago.com/2116-5201](http://www.wago.com/2116-5201)



Data

Electrical data

Ratings per IEC/EN 60664-1

Rated voltage (III / 3)	800 V
Rated impulse voltage (III / 3)	8 kV



Rated current	76 A
Rated current (2)	90 A
Legend (ratings)	(III / 3) $\triangleq$ Overvoltage category III / Pollution degree 3

### Connection data

Connection technology	Push-in CAGE CLAMP®
Actuation type	Push-in Lever
Connectable conductor materials	Copper
Nominal cross section	16 mm <sup>2</sup>
Solid conductor	0.5 ... 16 mm <sup>2</sup> / 20 ... 6 AWG
Solid conductor, push-in termination	2.5 ... 16 mm <sup>2</sup> / 14 ... 6 AWG
Fine-stranded conductor	0.5 ... 25 mm <sup>2</sup> / 20 ... 4 AWG
Fine-stranded conductor with ferrule, push-in termination, from	2.5 mm <sup>2</sup> / 14 AWG
Strip length	18 ... 20 mm / 0.71 ... 0.79 Inch
Actuation type 2	Push-in Push-button Operating tool
Number of levels	1
Total number of connection points	2
Total number of potentials	1
Type of wiring	Front-entry wiring

### Geometrical Data

Width	12 mm / 0.472 inch
Height from upper-edge of DIN-35 rail	37.1 mm / 1.461 inch
Depth	91.5 mm / 3.602 inch

### Mechanical data

Design	horizontal
Type of mounting	DIN-35 rail
Marking level	Center/side marking

### Material Data

Color	gray
Insulating material	Polyamide 66 (PA 66)
Weight	23.999 g

### Commercial data

Packaging type	BOX
----------------	-----



Country of origin	DE
GTIN	4055143754507

**Approvals / Certificates**

Country specific Approvals

Logo	Approval	Certificate name
	CCA DEKRA Certification B.V.	NTR NL 7675
	CSA DEKRA Certification B.V.	70175104
	KEMA/KEUR DEKRA Certification B.V.	71-103140

UL-Approvals

Logo	Approval	Certificate name
	cURus Underwriters Laboratories Inc.	E45172

**Downloads  
Documentation**

**Bid Text**

2116-5201	15.8.2018	DOCX 15.2 kB	Download
-----------	-----------	-----------------	----------

Subject to changes.

WAGO Corporation  
 Germantown, WI 53022  
 32423 Minden  
 Phone: +49571 887-0 | Fax: (262) 255-6222  
 Email: [info.us@wago.com](mailto:info.us@wago.com) | Web: [www.wago.com](http://www.wago.com)

Do you have any questions about our products?  
 We are always happy to take your call at {0}.