

**Receptacle Housings – 4 Positions**



**Technical Features**

**No. of Positions:**

4 Positions

**Housing Material:**

PBT Glas fibre reinforced

**Wire Size Range:**

0.22 – 0.35mm<sup>2</sup>

**Product Specification:**

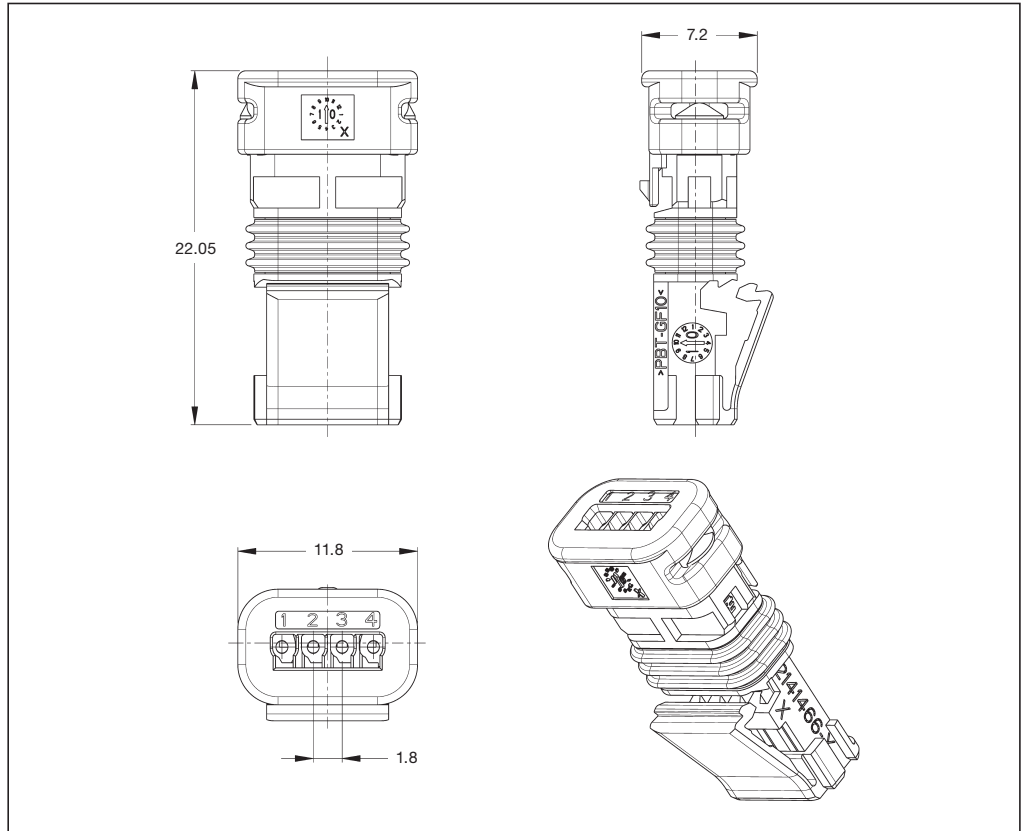
108-94320

**Application Specification:**

114-94174

**Extraction Tool**

1355968-1



**Receptacle Housings – 4 Positions**

Keying Options	Housing Color	Part Numbers				Mating PCB Headers		Contacts	
		Receptacle Housing	Cover	Locking Device	Cover and Lever	Right Angle	Vertical		
Coding A	Black	2141466-1	N/A	N/A	N/A	114-94000-14 <sup>*)</sup>	←	←	x-1703930-x

<sup>\*)</sup> Interface Drawing Number