

har-modular female str. pre-ass L66,04

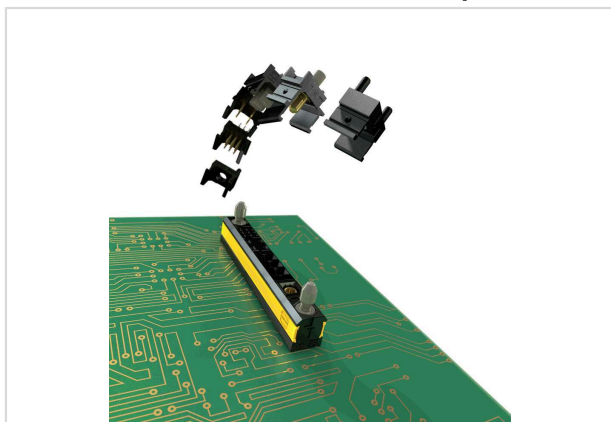


Image is for illustration purposes only. Please refer to product description.

Part number	C0 25 200 0000 0021
Specification	har-modular female str. pre-ass L66,04
HARTING eCatalogue	https://harting.com/C02520000000021

Identification

Category	Connectors
Series	har-modular®
Element	Female connector
Specification	Pre-assembled connector
Description of the contact	Straight

Version

Installed modules	1x 02529081502 https://harting.com/02529081502
	2x 02529000001 https://harting.com/02529000001
	4x 02529091101 https://harting.com/02529091101
Length	65.94 mm
Termination method	Reflow soldering termination (THR)
	Wave soldering termination
Connection type	Motherboard to daughtercard
	Mezzanine

Technical characteristics

Insulation resistance	$>10^{11} \Omega$
Limiting temperature	-55 ... +125 °C (during reflow soldering max. +240 °C for 15 s)
Performance level	1
	acc. to IEC 60603-2
Mating cycles	≥ 500
Isolation group	I ($600 \leq CTI$)
Hot plugging	No



Pushing Performance
Since 1945

Technical characteristics

Moisture Sensitivity Level (MSL)	1 acc. to ECA/IPC/JEDEC J-STD-020D
----------------------------------	------------------------------------

Material properties

Material (insert)	Polyamide (PA)
Colour (insert)	Black Yellow
Material flammability class acc. to UL 94	V-0
RoHS	compliant
ELV status	compliant
China RoHS	e
REACH Annex XVII substances	Not contained
REACH ANNEX XIV substances	Not contained
REACH SVHC substances	Not contained
California Proposition 65 substances	Not contained

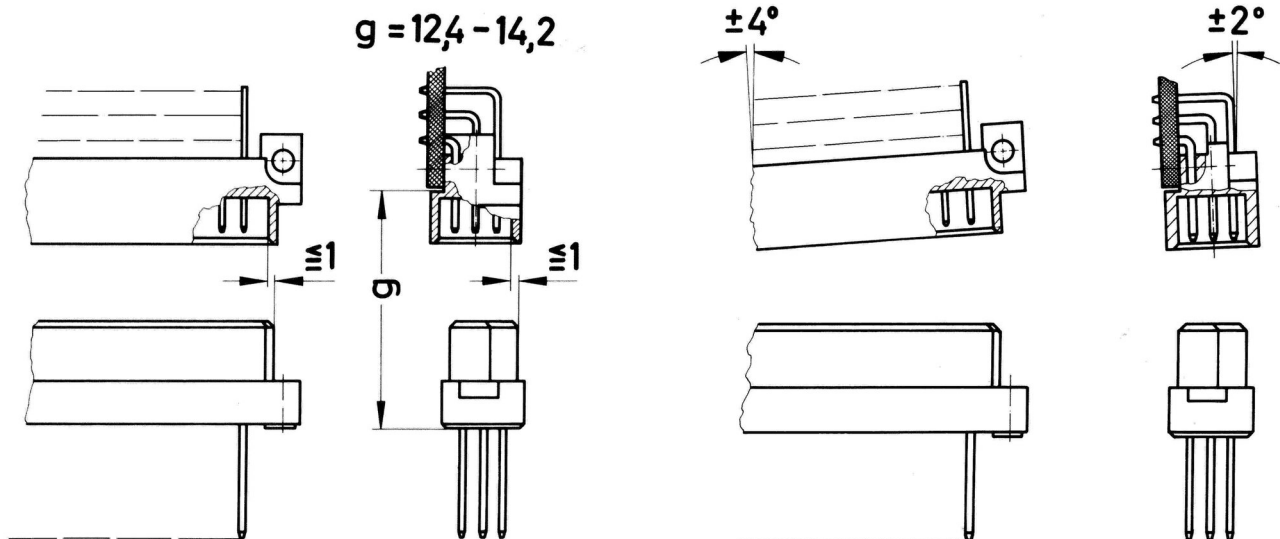
Specifications and approvals

UL / CSA	UL 1977 ECBT2.E102079 CSA-C22.2 No. 182.3 ECBT8.E102079
Railway classification	F1/I2 acc. to NFF 16-101/102

Commercial data

Packaging size	140
Country of origin	Romania
European customs tariff number	85366990
GTIN	5713140660380
eCl@ss	27460201 PCB connector (board connector)

Mating conditions



To ensure reliable connections and prevent unnecessary damage, please refer to the application data diagrams. These recommendations are set out in IEC 60603-2. The connectors should not be coupled and decoupled under electrical load.