

Data sheet | Item number: 858-166

Basic relay; Nominal input voltage: 220 VDC; 4 changeover contacts;
Limiting continuous current: 5 A; with manual operation; Module width: 22
mm



www.wago.com/858-166

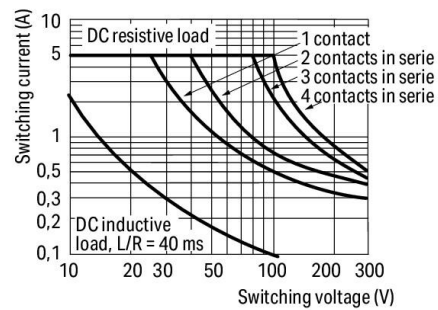
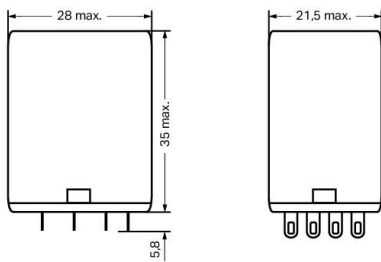
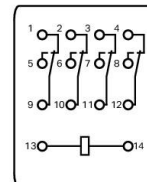


 Picture differs from the item.

Similar to picture

RoHS
Compliant





DC load limit curve

Data

Technical data

Subject to changes. Please also observe the further product documentation!

WAGO Kontakttechnik GmbH & Co. KG
Hansastr. 27
32423 Minden
Phone: +49571 887-0 | Fax: +49571 887-169
Email: info.de@wago.com | Web: www.wago.com

Do you have any questions about our products?
We are always happy to take your call at +49 (571) 887-44222.

Control circuit

Nominal input voltage U_N	DC 220 V
Nominal input current at U_N	4.1 mA

Load circuit

Number of changeover/switchover contacts	4
Contact material (relay)	AgCe
Limiting continuous current	5 A
Inrush current (resistive) (max.)	(AC) 15 A / 4 s
Switching voltage (max.)	AC 250 V
Switching power (resistive) (max.)	AC 1250 VA; DC (see load limit curve)
Recommended minimum load	12 V / 100 mA
Pull-in time (typ.)	25 ms
Drop-out time (typ.)	25 ms
Bounce time (typ.)	4 ms
Electrical life (NO; resistive load; 23 °C)	100×10^3 switching operations
Mechanical life	20×10^6 switching operations

Signaling

Status indicator	Red LED Mechanical
------------------	-----------------------

Safety and protection

Dielectric strength, control/load circuit (AC, 1 min)	1.5 kVrms
Dielectric strength, open contact (AC, 1 min)	1 kVrms
Dielectric strength, load/load circuit (AC, 1 min)	1.5 kVrms
Protection type	IP20

Physical data

Width	21.5 mm / 0.846 inch
Height from the surface	35 mm / 1.378 inch
Depth	28 mm / 1.102 inch

Subject to changes. Please also observe the further product documentation!

**Mechanical data**

Mounting type	Pluggable module
---------------	------------------

Material data

Weight	30.9 g
--------	--------

Environmental requirements

Surrounding air temperature (operation at U_N)	-25 ... 70 °C
---	---------------

Surrounding air temperature (storage)	-40 ... 80 °C
---------------------------------------	---------------

Standards and specifications

Standards/Specifications	EN 61810-1
--------------------------	------------

Commercial data

Packaging type	BOX
----------------	-----

Country of origin	DE
-------------------	----

GTIN	4055143693301
------	---------------

Customs tariff number	85364900990
-----------------------	-------------

Downloads**Documentation****Additional Information**

Disposal; Electrical and electronic equipment, Packaging	V 1.0.0	pdf 265.8 kB	Download
--	---------	-----------------	----------

CAD/CAE-Data**CAD data**

2D/3D Models 858-166	URL	Download
----------------------	-----	----------

CAE data

ZUKEN Portal 858-166	URL	Download
----------------------	-----	----------

EPLAN Data Portal 858-166

Subject to changes. Please also observe the further product documentation!

WAGO Kontakttechnik GmbH & Co. KG

Hansastr. 27

32423 Minden

Phone: +49571 887-0 | Fax: +49571 887-169

Email: info.de@wago.com | Web: www.wago.com

Do you have any questions about our products?

We are always happy to take your call at +49 (571) 887-44222.



[URL](#)

[Download](#)

Environmental Product Compliance

Compliance Search

Environmental Product Compliance 858-166

[URL](#)

[Download](#)

Basic relay; Nominal input voltage: 220 VDC; 4 changeover contacts; Limiting continuous current: 5 A; with manual operation; Module width: 22 mm

Installation Notes

Subject to changes. Please also observe the further product documentation!

WAGO Kontakttechnik GmbH & Co. KG
Hansastr. 27
32423 Minden
Phone: +49571 887-0 | Fax: +49571 887-169
Email: info.de@wago.com | Web: www.wago.com

Do you have any questions about our products?
We are always happy to take your call at +49 (571) 887-44222.