

LED COLOR = WATER CLEAR

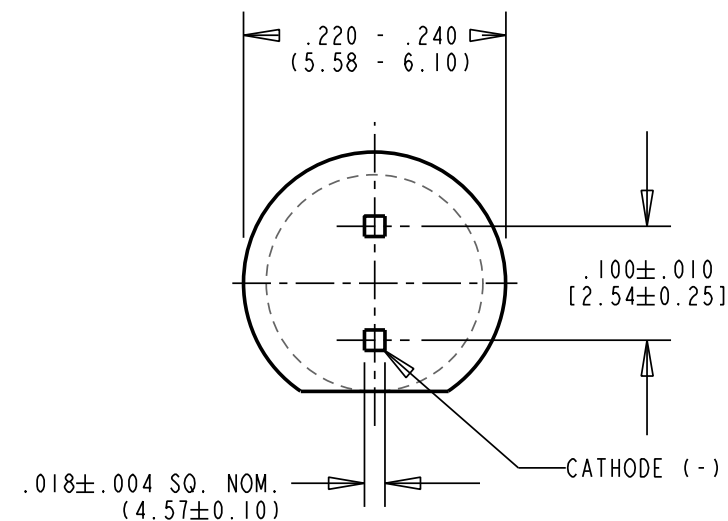
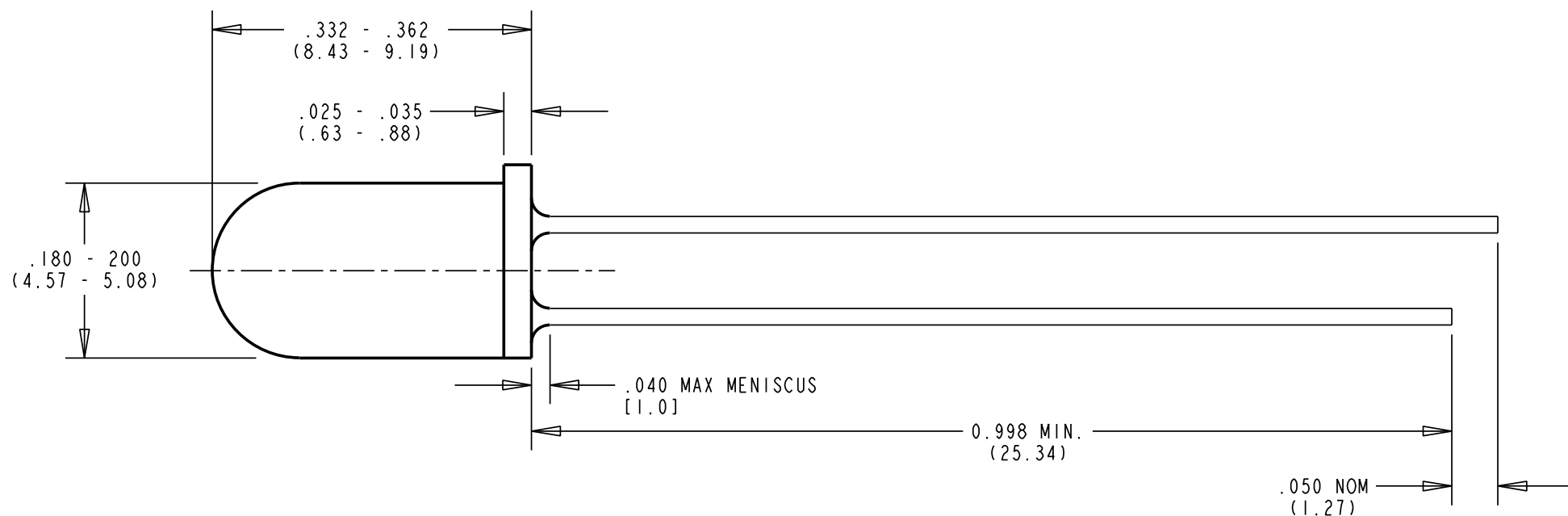
OPERATING CHARACTERISTICS AT 25°C AMBIENT

CHARACTERISTICS	MIN	TYP	MAX	UNITS	TEST CONDITIONS
LUMINOUS INTENSITY	80	125		mcd	$I_f = 20 \text{ mA}$
FORWARD VOLTAGE		2.2	3.0	V	$I_f = 20 \text{ mA}$
REVERSE VOLTAGE	5.0			V	$I_r = 10 \text{ mA}$
PEAK WAVELENGTH		635		nm	
VIEWING ANGLE		24		Degree	

REV	ECN NO	REVISIONS	DRN	CKD	APP	DATE
A	—	NEW RELEASE	SM			

NOTES:


- LEAD SPACING MEASURED NEAR EPOXY PACKAGE.
- LEAD FINISH: TIN (Sn) SILVER (Ag), COPPER (Cu) IN THICKNESS OF 50/100 MICRONS, BASE METAL: MILD STEEL.
- DIALIGHT PART NO. 521-9464F.
- DIE: GaAsP/GaP (RED LED)



**RoHS Compliant 521-9464F Thru hole Single Color LED**

Part Numbers with the "F" suffix ending are RoHS Compliant.  
 Example: 521-9464F  
 The bag packaging is marked with "RoHS Compliant" label or equivalent markings.  
 Parts can be wave soldered, dip soldered or hand soldered using typical lead-free soldering process with max 260°C temp. for 5 sec.

ABSOLUTE MAXIMUM RATING AT 25°C AMBIENT	UNITS	WATER CLEAR
POWER DISSIPATION	mW	135
CONTINUOUS FORWARD CURRENT	mA	30
DERATE LINEARLY FROM 25°C	mA/°C	1.8
PEAK TRANSIENT CURRENT 10µs PULSE	mA	500
LEAD SOLDERING TEMPERATURE, 5 SEC., 1/16" FROM BASE	°C	260
OPERATING TEMPERATURE	°C	-55 TO +100
STORAGE TEMPERATURE	°C	-55 TO +100

THIS DRAWING AND THE CONTENTS HEREIN ARE CONFIDENTIAL AND THE SOLE PROPERTY OF DIALIGHT. REPRODUCTION OF THIS DRAWING OR CONSTRUCTION OF ANY PARTS WITHIN THIS DRAWING ARE FORBIDDEN WITHOUT THE WRITTEN CONSENT OF DIALIGHT.		
SCALE: DRAWING SCALE ALL DIM'S IN: INCHES (MM)	DRAWING NUMBER C-17466	REV A
TOLERANCES: UNLESS OTHERWISE SPECIFIED FRACTIONS: ±1/64 DECIMALS (.XX): ±.01 DECIMALS (.XXX): ±.005 DECIMALS (.XXXX): ±.0005 ANGLES: ±1°	TITLE 5 mm LED RED (WATER CLEAR EPOXY) RoHS COMPLIANT	
FINISH:	MATERIAL	
FSCM 83330	 1501 ROUTE 34 SOUTH FARMINGDALE, NJ 07727	
	SHEET 1 OF 1	FAMILY TABLE: