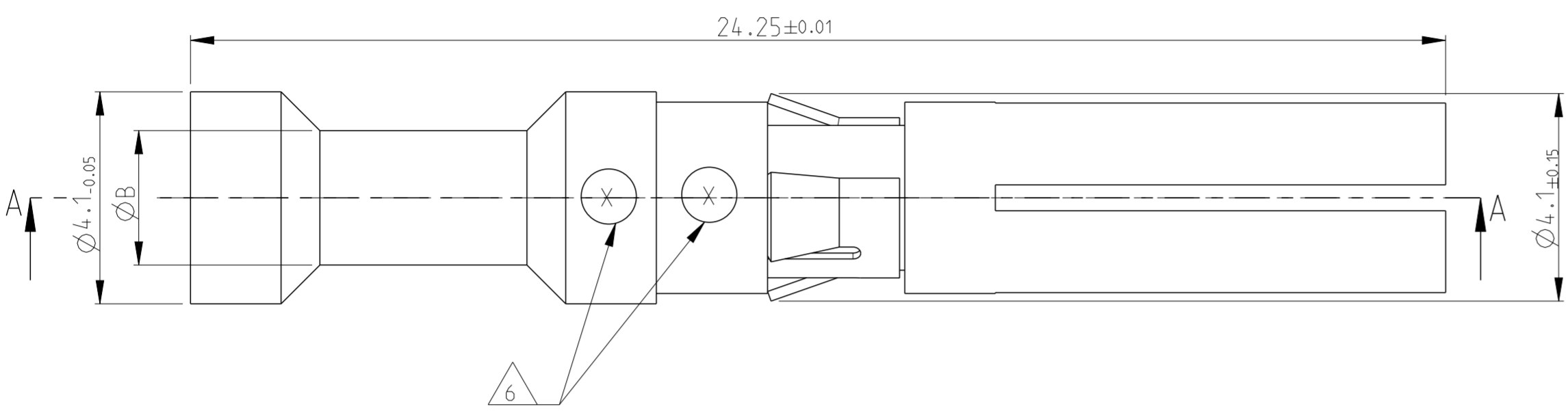


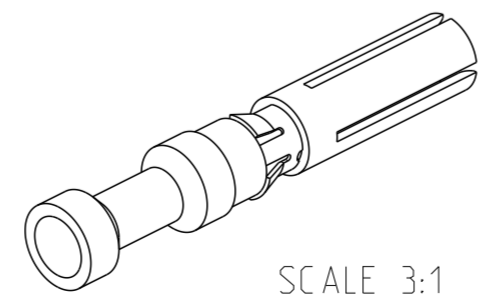
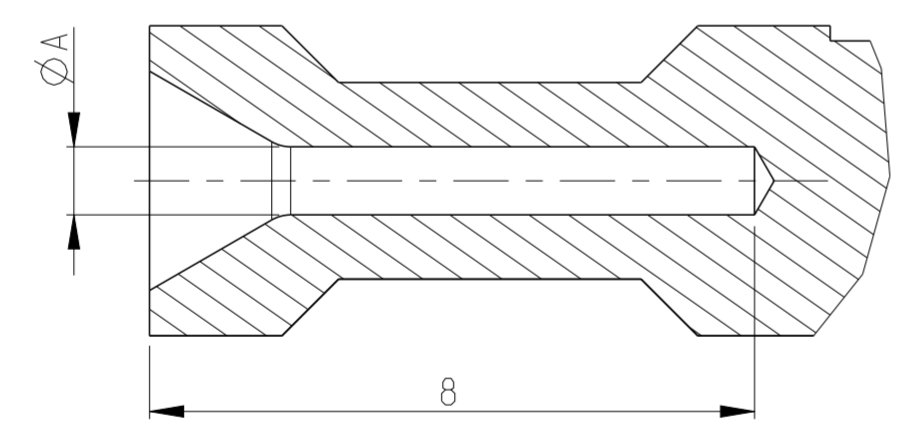
THIS DRAWING IS UNPUBLISHED. RELEASED FOR PUBLICATION  
 © COPYRIGHT - ALL RIGHTS RESERVED.

LOC		DIST		REVISIONS			
P	LTR	DESCRIPTION	DATE	DWN	APVD		
A1	-	G2	REVISED PER ECO-11-005150	31MAR2011	RK	HMR	
		G3	ECR-16-016696	31AUG2017	GR	MKO	



- NOTES
- 1 MATERIAL SEE TABLE
  - 2 SURFACE SEE TABLE
  - 3 ASSEMBLY WEIGHT SEE TABLE
  - 4 PACKAGING: 50 PIECES IN POLYBAG
  - 5 PACKAGING: 500 PIECES IN POLYBAG & CARTON
  - 6 CROSS-SECTION MARKING
  - 7 NO VENTILATION HOLE REQUIRED AT CROSS SECTION >4.0mm<sup>2</sup>
  - 8 SUITABLE PIN CONTACT: PN 1105300
  - 9 SUITABLE INSERTS: SERIES HVT
  - 10 SUITABLE CRIMP TOOL: PN 1-1105851-8
  - 11 SUITABLE INSERTION TOOL: PN 0-1102855-6
  - 12 SUITABLE EXTRACTION TOOL: PN 0-1102855-3
  - 13 STANDARDS: DIN EN 61984, DIN EN 60664-1

SECTION A-A



OBSOLETE												ASSEMBLY WEIGHT IN (Kg) <sup>3</sup>				ITEM NO
1	0.00142	0.00144	0.00148	0.00145	0.00149	0.00150	0.00144	0.00148	0.00145	0.00149	0.00150	GOLD PLATING		SILVER PLATING		
												2.85	3.9	6		1
	1											2.2	3.2	5		
		1										1.8	3.0	4		
			1									1.45	2.6	3		
				1								1.1	2.6	2		
					1							0.9	2.6	1		
						1						2.0	3.2	8		
							1					2.55	3.6	9		
								1				3.2	4.1	7		
									1			2.85	3.9	6		
										1		2.2	3.2	5		
											1	1.8	3.0	4		
											1	1.45	2.6	3		
											1	0.9	2.6	1		

DESCRIPTION	MATERIAL <sup>1</sup>	SURFACE <sup>2</sup>	ØA	ØB	CROSS SECTION MARKING <sup>6</sup>	ITEM NO
HVT-C-Bu-Au-4.0 mm <sup>2</sup>						
HVT-C-Bu-Au-2.5 mm <sup>2</sup>						
HVT-C-Bu-Au-1.5 mm <sup>2</sup>						
HVT-C-Bu-Au-0.75-1.0 mm <sup>2</sup>						
HVT-C-Bu-Au-0.5 mm <sup>2</sup>						
HVT-C-Bu-Au-0.13-0.4 mm <sup>2</sup>						
HVT-C-Bu-Ag-AWG-14						
HVT-C-Bu-Ag-AWG-12						
HVT-C-Bu-Ag-AWG-10						
HVT-C-Bu-Ag-4.0 mm <sup>2</sup>						
HVT-C-Bu-Ag-2.5 mm <sup>2</sup>						
HVT-C-Bu-Ag-1.5 mm <sup>2</sup>						
HVT-C-Bu-Ag-0.75-1.0 mm <sup>2</sup>						
HVT-C-Bu-Ag-0.5 mm <sup>2</sup>						
HVT-C-Bu-Ag-0.13-0.4 mm <sup>2</sup>						

THIS DRAWING IS A CONTROLLED DOCUMENT.

DWN: G. WROBLEWSKI 04 SEP. 2007  
 CHK: T. SCHNURPFELT 04 SEP. 2007  
 APVD: T. SCHNURPFELT 04 SEP. 2007

STE TE Connectivity

SOCKET CONTACT SERIES HVT

SIZE: A2 CAGE CODE: 100779 DRAWING NO: C-1105301 RESTRICTED TO: -

CUSTOMER DRAWING SCALE: 10:1 SHEET: 1 OF 1 REV: G3