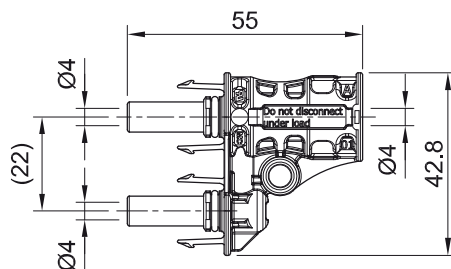


Branch connector MC4-Evo 2

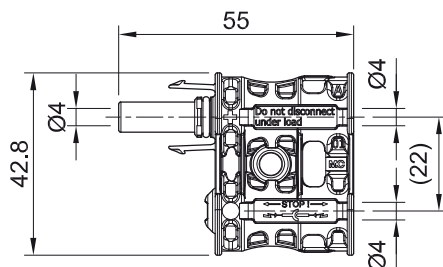
World's first dual certified DC 1500 V branch connector

- Plug-and-play: no crimping or torquing necessary
- Versatility and compact dimensions
- Mating compatibility with original MC4 and MC4-Evo 2 cable connectors
- DC 1500 V according to IEC 62852 and UL 6703
- Resistance to salt mist spray
- Proven MULTILAM Technology with high long-term stability which ensures consistently low performance loss throughout the entire service life of the connector

PV-AZB4-EVO 2-UR



PV-AZS4-EVO 2-UR



Order No.	Type	Description
32.0196	PV-AZB4-EVO 2-UR	Branch socket MC4-Evo 2
32.0197	PV-AZS4-EVO 2-UR	Branch plug MC4-Evo 2


Accessories

32.0716	PV-BVK4	Sealing cap, suitable for socket side
32.0717	PV-SVK4	Sealing cap, suitable for plug side
32.6066	PV-MS-MC4-EVO	Unlocking tool



Assembly Instructions MA292

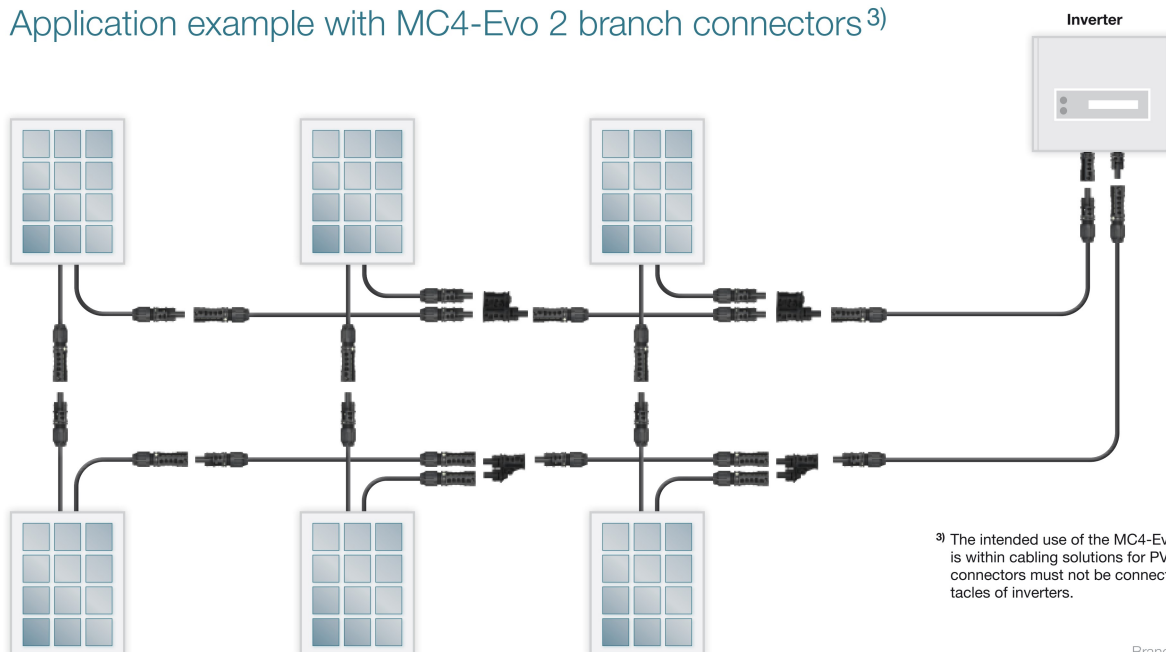
www.staubli.com/electrical

Technical data	
Rated voltage	DC 1500 V (according to IEC 62852: 2014 + AMD1:2020) DC 1500 V (according to UL 6703)
Test voltage	8 kV ²⁾
Rated impulse voltage	16 kV
Rated current IEC	60 A ¹⁾
Rated current UL	50 A ¹⁾
Ambient temperature range (IEC)	-40 °C ... + 85 °C
Ambient temperature range (UL)	-40 °C ... + 90 °C
Upper limiting temperature IEC	115 °C ¹⁾
Degree of protection, mated unmated	IP65/IP68 (1 m, 1 h) IP2X
Pollution degree	3
Contact resistance of plug connectors	< 0,5 mΩ
Safety class	II
Contact system	MULTILAM
Contact material	Copper, tin plated
Insulation material	PA
Locking system	Locking type
Flame class	UL94-V0
Salt mist spray test, degree of severity 6, according to IEC 60068-2-52	Yes
UV resistance (according to ISO 4892-2/3)	Yes
TÜV Rheinland certified according IEC62852:2014+AMD1:2020	R 60149724
UL certified according UL6703	E343181
Compatible with connector type	Original MC4 Original MC4-Evo 2
Maximum altitude above sea level for operation	5000 m; AK 60159400
	CE declaration of conformity

1) The voltage and current rating, as well as the upper limiting temperature are limited to the MC4-Evo 2 branch connector. For detailed specification refer to MA292.

2) Rated voltage 1000 V and test voltage 6 kV
Rated voltage 1500 V and test voltage 8 kV

Application example with MC4-Evo 2 branch connectors³⁾



³⁾ The intended use of the MC4-Evo 2 branch connector is within cabling solutions for PV-Systems. Yet, branch connectors must not be connected directly to panel receptacles of inverters.