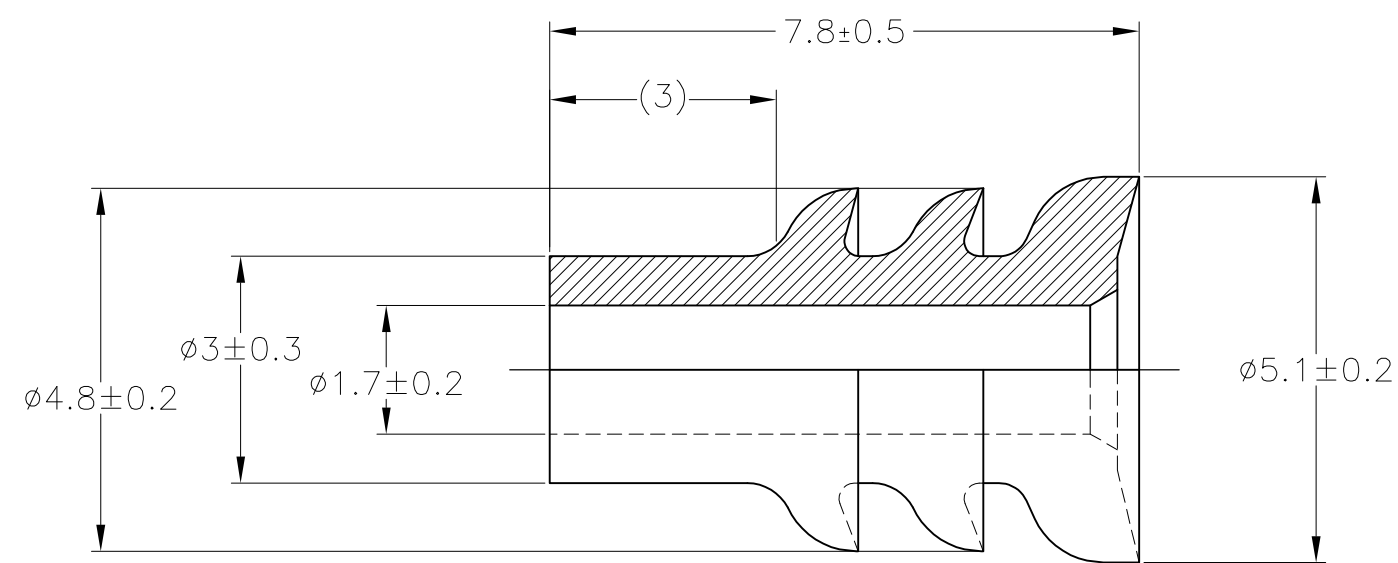

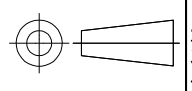


THIS DRAWING IS UNPUBLISHED. RELEASED FOR PUBLICATION JUN,2014 . - .  
 © COPYRIGHT 2014 By Tyco Electronics Japan G.K. ALL RIGHTS RESERVED.

LOC	DIST	REVISIONS 変更					
J		P	LTR	DESCRIPTION	DATE	DWN	APVD
			A1	REVISED	ECR-14-018935	18DEC14	DM TK



- ① オイル塗布タイプ
- ② 材料；NBR フタル酸フリー
- ① OIL COATED TYPE
- ② MATERIAL；NBR NON-BIS TYPE

WIRE RANGE 0.5~1.25mm <sup>2</sup> (AWG#20-#16)		INSULATION DIA. φ2~φ2.6mm		NBR ②	黒色 (BLACK)	2822354-2
				NBR ①②	黒色 (BLACK)	2822354-1
				MATERIAL	COLOR	PART NUMBER
THIS DRAWING IS A CONTROLLED DOCUMENT.				 <b>TE Connectivity</b>		
DIMENSIONS: 単位： 耗 mm		TOLERANCES UNLESS OTHERWISE SPECIFIED: 一般公差				
		0 PLC ± -		DWN D.MATSUURA 06AUG2014		
		1 PLC ± -		CHK S.IWATANI 06AUG2014		
MATERIAL 材料 SEE TABLE		2 PLC ± -		APVD T.KOHNO 06AUG2014		
		3 PLC ± -		PRODUCT SPEC 製品規格 108-5262		
FINISH 仕上 -		4 PLC ± -		APPLICATION SPEC 取付適用規格		
		ANGLES ± -		WEIGHT 0.1 g		
		CUSTOMER DRAWING		SIZE A3	CAGE CODE 00779	DRAWING NO 番号 C-2822354
				RESTRICTED TO -	SCALE 尺度 10:1	SHEET 1 OF 1
						REV A1