

DATASHEET

Type	GNSS antenna
Frequencies	GPS (1575.42 MHz)
Mounting	Any Surface Glass Mount Magnetic Mount Patch Mount
Part No.	2J431MP
Revision	00





Contents

1. SPECIFICATION.....	2
1.1. Electrical Specifications	2
1.2. Connection Specifications	2
1.2.1. Default (recommended)	2
1.2.2. Optional	2
1.3. Mechanical Specifications and Dimensions	2
1.3.1. Mounting Type	2
1.3.2. Magnetic mount	3
1.3.3. Patch mount	3
2. MEASUREMENT	4
3. IMAGES	5

1. SPECIFICATION

1.1. Electrical Specifications

Frequencies	GPS (1575.42 MHz)
Impedance	50 Ohms
Polarization	RHCP
LNA Gain	26dB at 3V, 27dB at 5V
VSWR	<1.2:1
Voltage supply	2.7V - 5.5V
Current	15mA - 25mA
Power (max.)	138mW
Operating temperature	-40°C to +85°C

1.2. Connection Specifications

1.2.1. Default (recommended)

Connector type:	SMA male
Cable:	RG174U
Cable length:	250 cm

1.2.2. Optional

Suitable cables:	RG174, RG316
Cable length:	min. 30 cm
Suitable connectors:	All connectors suitable for cables above

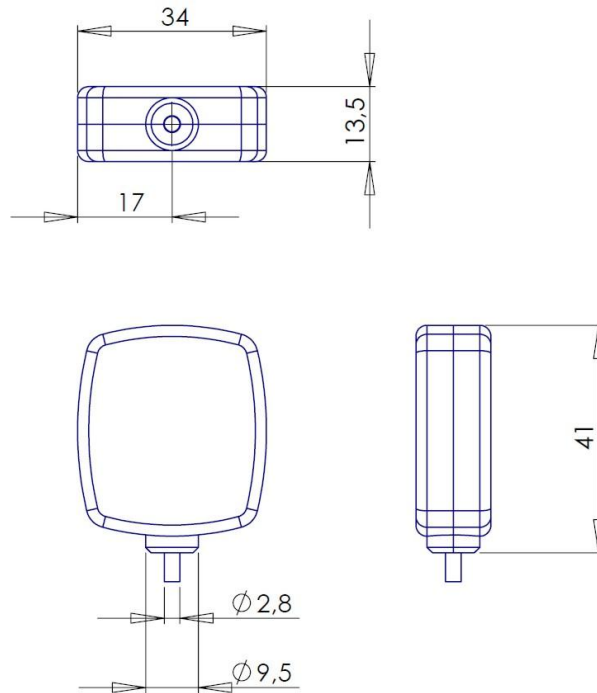
1.3. Mechanical Specifications and Dimensions

1.3.1. Mounting Type

- Any Surface
- Glass Mount
- Magnetic Mount
- Patch Mount

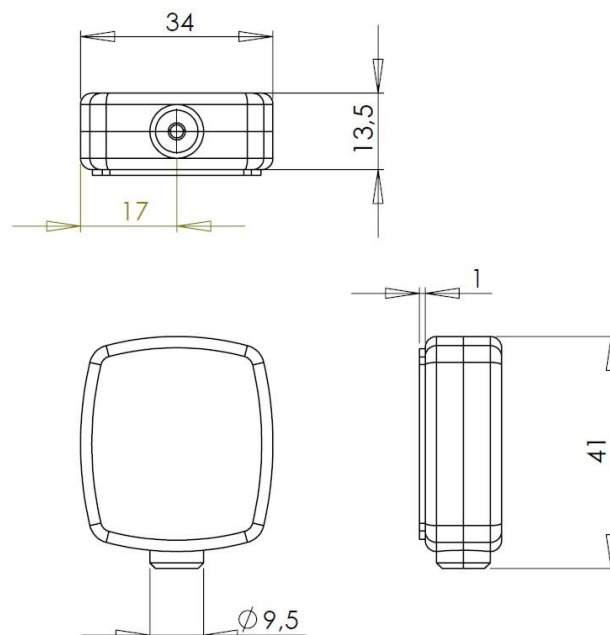
1.3.2. Magnetic mount

Material: ABS
 Max. dimensions: 13.7mm x 41mm x 34mm
 Weight: 68 g 'counted with default connection'
 Colour: Black (for different colours please ask our sales team)



1.3.3. Patch mount

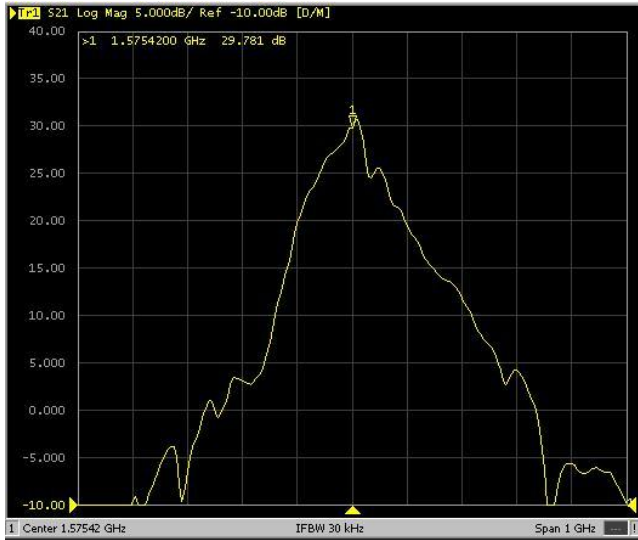
Material: ABS
 Max. dimensions: 14.7mm (with sticker) x 41mm x 34mm
 Weight: 68 g 'counted with default connection'
 Colour: Black (for different colours please ask our sales team)



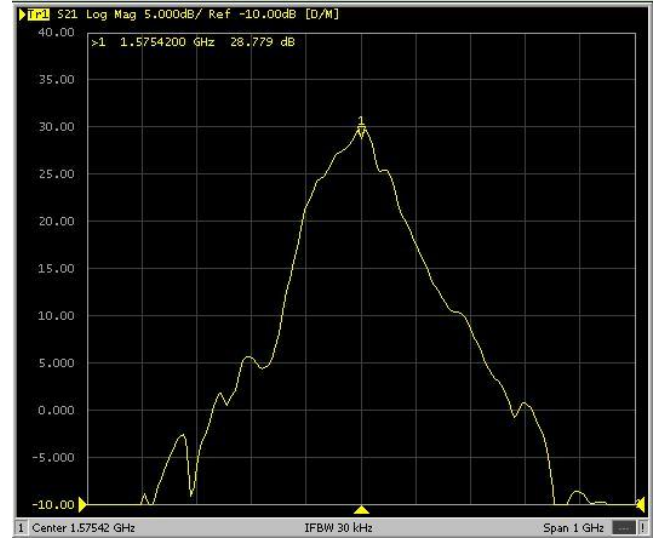
2. MEASUREMENT

LOG MAG (GNSS) at 5V:

Tested with 3m cable length

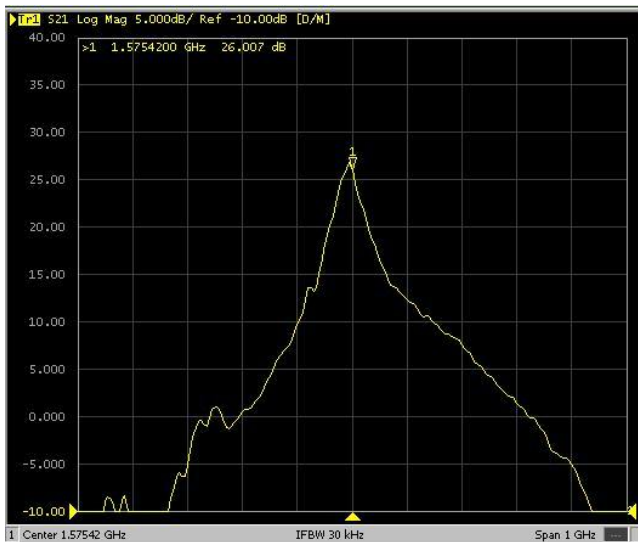


Tested with 5m cable length

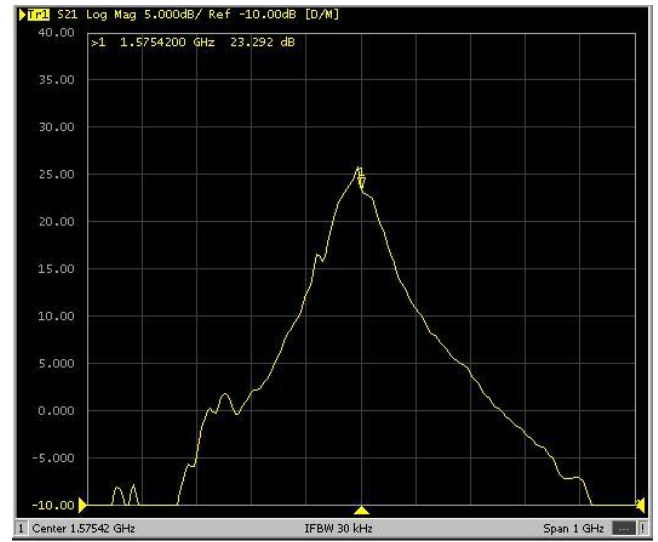


LOG MAG (GNSS) at 3V:

Tested with 3m cable length



Tested with 5m cable length



3. IMAGES

