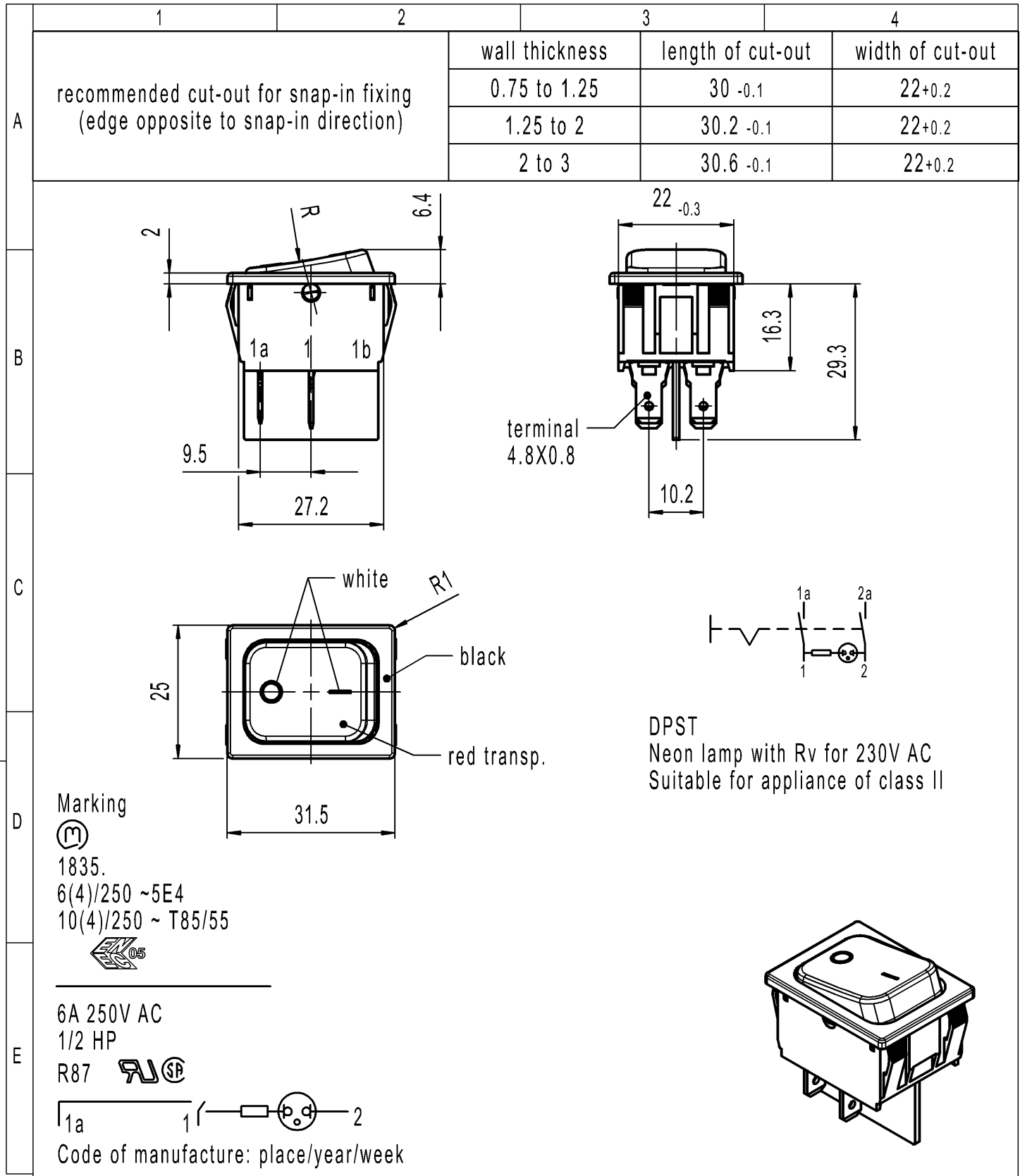


CONFIDENTIAL

VERTRAULICH

Alle Rechte bei Marquardt, auch fuer den Fall von Schutzrechtsanmeldungen. Jede Veruegungsbefugnis, wie Kopier- und Weitergaberecht, bei uns.

THIS DRAWING IS THE EXCLUSIVE PROPERTY OF MARQUARDT. WITHOUT THEIR CONSENT IT MAY NOT BE REPRODUCED OR GIVEN TO THIRD PARTIES.



-	-	-	1835.1112-XX																																							
Figure	Type	Customer Part No.	Art.No.-PI																																							
Shape and location  	Angle ± 2 °	Sheet 01																																								
	Edge tolerance	Ident.	Document number																																							
	<table border="1" style="width: 100%; border-collapse: collapse;"> <thead> <tr> <th colspan="2">Length</th> <th colspan="2">Radii</th> </tr> </thead> <tbody> <tr> <td>0-6</td> <td style="text-align: center;">± 0.2</td> <td></td> <td style="text-align: center;">± 0.2</td> </tr> <tr> <td>&gt;6-15</td> <td style="text-align: center;">± 0.4</td> <td></td> <td style="text-align: center;">±</td> </tr> <tr> <td>&gt;15-30</td> <td style="text-align: center;">± 0.4</td> <td></td> <td style="text-align: center;">±</td> </tr> <tr> <td>&gt;30-70</td> <td style="text-align: center;">± 0.6</td> <td></td> <td style="text-align: center;">±</td> </tr> <tr> <td></td> <td style="text-align: center;">±</td> <td></td> <td style="text-align: center;">±</td> </tr> <tr> <td></td> <td style="text-align: center;">±</td> <td></td> <td style="text-align: center;">±</td> </tr> <tr> <td></td> <td style="text-align: center;">±</td> <td></td> <td style="text-align: center;">±</td> </tr> <tr> <td></td> <td style="text-align: center;">±</td> <td></td> <td style="text-align: center;">±</td> </tr> <tr> <td></td> <td style="text-align: center;">±</td> <td></td> <td style="text-align: center;">±</td> </tr> </tbody> </table>	Length		Radii		0-6	± 0.2		± 0.2	>6-15	± 0.4		±	>15-30	± 0.4		±	>30-70	± 0.6		±		±		±		±		±		±		±		±		±		±		±	Index
	Length		Radii																																							
	0-6	± 0.2		± 0.2																																						
>6-15	± 0.4		±																																							
>15-30	± 0.4		±																																							
>30-70	± 0.6		±																																							
	±		±																																							
	±		±																																							
	±		±																																							
	±		±																																							
	±		±																																							
f	140527	2022-03-15	MOHITEN																																							
e	64507	2009-09-14	HHE																																							
d	39880	2004-04-19	HHE																																							
c	24370	1996-11-25	GRH																																							
Index	MEC-No.	Date (YYYY-MM-DD)	Edited by																																							
		Format DIN A4	Projection  Scale 1:1																																							
		All dimensions are in millimetres																																								
		System NX V1872	Replacement of																																							
		Appliance Switch																																								
		 <b>MARQUARDT</b>																																								