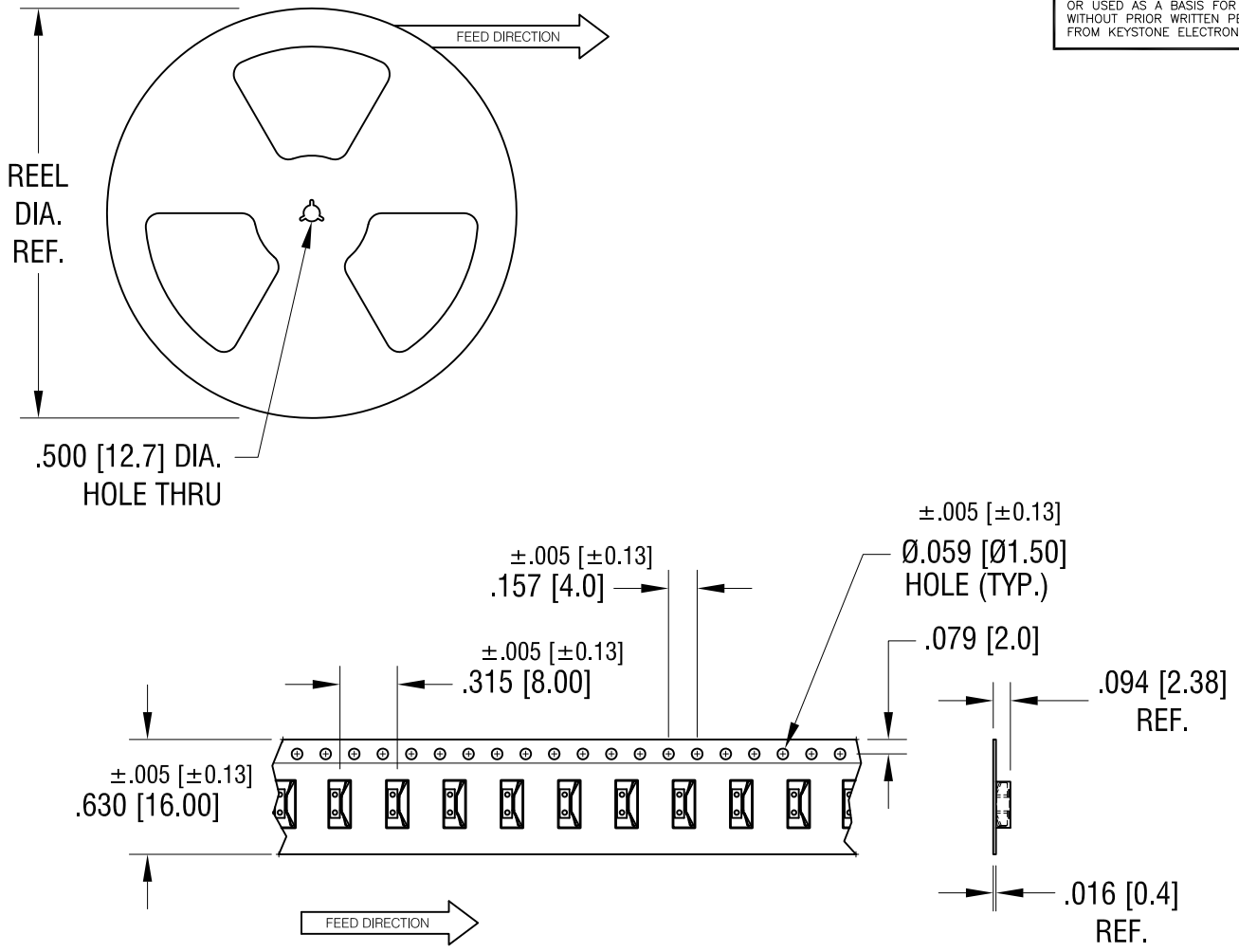


THIS DOCUMENT IS THE PROPERTY OF KEYSTONE ELECTRONICS CORP. AND SHALL NOT BE REPRODUCED, DISTRIBUTED OR USED AS A BASIS FOR MANUFACTURE WITHOUT PRIOR WRITTEN PERMISSION FROM KEYSTONE ELECTRONICS CORP.



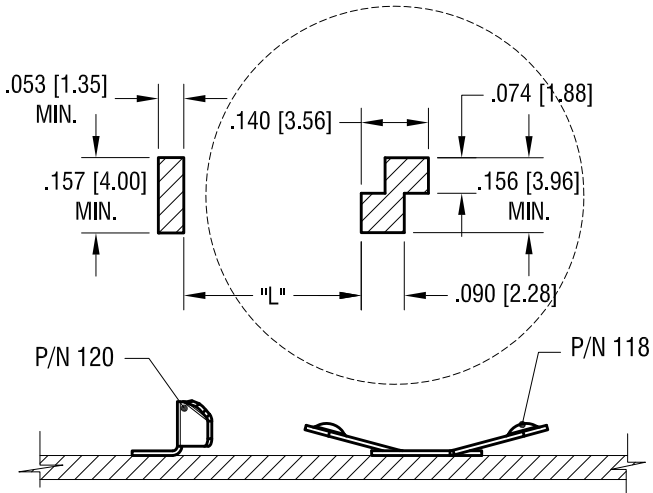
NOTES:

- 1. TAPE:
MAT'L - ALL CONDUCTIVE POLYSTYRENE CARRIER
ANSI/EIA-481 STANDARD
- 2. REEL:
13.0 [330.0] DIA. REEL HOLDS 3000 PIECES
OF PART NUMBER 120

9.14.15	WAS 2500 PCS PER REEL CHANGE AS PER ECN 15-090	A
DATE	DESCRIPTION	REV.

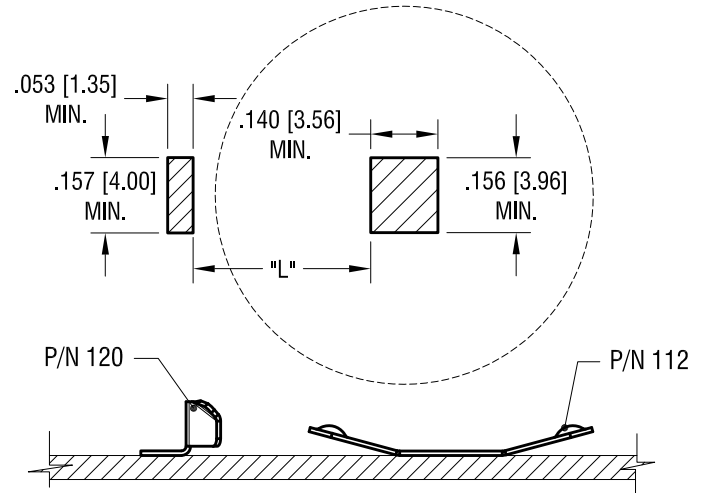
KEYSTONE ELECTRONICS CORP.			
www.keyelco.com • ASTORIA, N.Y. 11105-2017 • Tel (718) 956-8900			
PART NAME BATTERY CONTACT ON TAPE AND REEL			
MATERIAL AS NOTED			
FINISH AS NOTED		DRN BY NT	DATE 8.19.15
		APP'D LN	SCALE X
TOLERANCES DECIMAL ANGULAR UNLESS OTHERWISE SPECIFIED	INCH [MM] ± .015 [± 0.38] ± 1°	CODE C	DWG NO. 120TR

THIS DOCUMENT IS THE PROPERTY OF KEYSTONE ELECTRONICS CORP. AND SHALL NOT BE REPRODUCED, DISTRIBUTED OR USED AS A BASIS FOR MANUFACTURE WITHOUT PRIOR WRITTEN PERMISSION FROM KEYSTONE ELECTRONICS CORP.



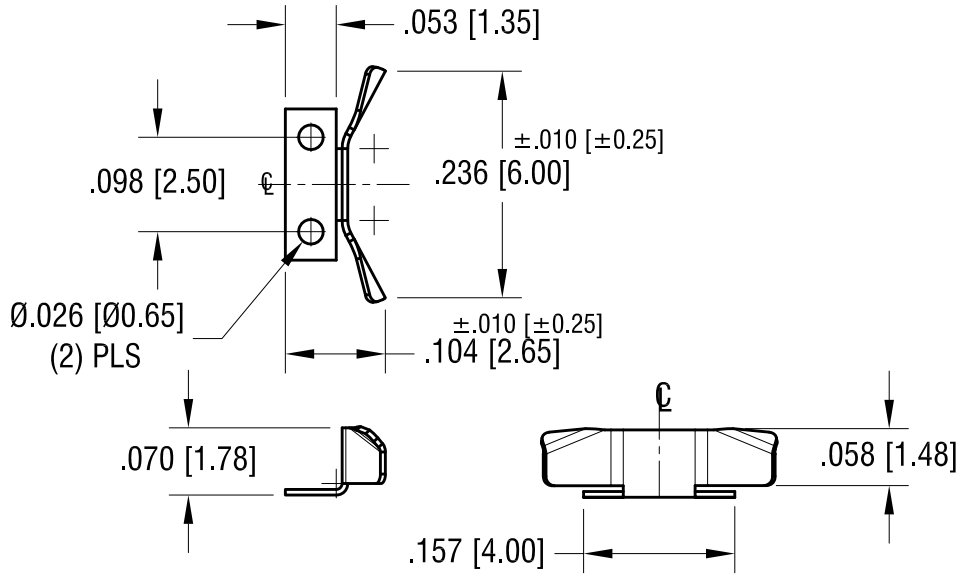
MTG LAY OUT WHEN USE WITH P/N 118

BATTERY DIA.	L
12mm	.178 [4.5]
16mm	.257 [6.5]



MTG LAY OUT WHEN USE WITH P/N 112

BATTERY DIA.	L
20mm	.336 [8.5]
23mm	.395 [10.0]



ACTUAL SIZE

DATE	DESCRIPTION	REV.
11.09.15	CHANGE AS PER ECN15-132	C
11.02.15	CHANGE AS PER ECN15-129	B
9.21.15	CHANGE AS PER ECR 15-105	A

KEYSTONE ELECTRONICS CORP.
 www.keyelco.com • ASTORIA, N.Y. 11105-2017 • Tel (718) 956-8900

PART NAME: POSITIVE BATTERY CONTACT

MATERIAL: .006 [0.15] TH'K STAINLESS STEEL

FINISH: GOLD PLATE

DRN BY: NT DATE: 8.21.15

APP'D: LN SCALE: 5X

TOLERANCES INCH [MM]
 DECIMAL: ± .005 [± 0.13]
 ANGULAR: ± 1°
 UNLESS OTHERWISE SPECIFIED

CODE: C DWG NO.: 120