

SERIES 1040 - ROTARY SHAFT SNAP-ACTION SWITCHES

TO 4 (1) A 250 V AC



PRODUCT FEATURES

- ◆ Extremely low switching torques
- ◆ Spring steel auxiliary actuators which are easily adaptable to customer-specific installation conditions

ON REQUEST

- ◆ Other auxiliary actuators
- ◆ Normally open contact version

Mechanical life endurance	5E6
Contact resistance (new condition)	< 100 mOhm (1 A 12 V DC)
Insulation resistance (new condition)	> 100 MOhm (500 V DC)
Proof tracking	250 PTI
Protection type	IP 40 actuator side IP 00 terminal side
Ambient temperature	-35 °C ... +85 °C
Flammability	UL 94 V-2
Glow wire test temperature	850 °C
Material	actuator PA glass fiber-reinforced additional actuator stainless steel spring steel housing PA glass fiber-reinforced / PETP terminals silver plated
Contact distance	< 3 mm
Approval marks	
Suitable for appliances of protection class II under compliance with the installation conditions required on the equipment side	



ROCKER SWITCHES

PUSHBUTTON SWITCHES

TOGGLE SWITCHES

SLIDE SWITCHES

ROTARY SWITCHES

FOOT SWITCHES

FACT AND KEY SWITCHES

SNAP-ACTION SWITCHES

MICRO-SIGNAL SWITCHES

SENSORS

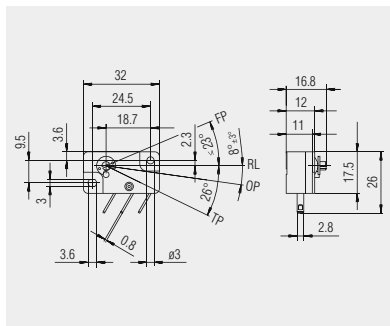
SERIES 1040 - ROTARY SHAFT SNAP-ACTION SWITCHES

TO 4 (1) A 250 V AC

	4 (1) A 250 V AC 5E4	Terminal type	Terminal description	Contact material	Stock version
Changeover switch (SPDT momentary)					
1040.0111	●		2.8	Ag	●
1040.0114	●		2.8	Ag	●
1040.0301	●		2.8	Au	



1040.0111

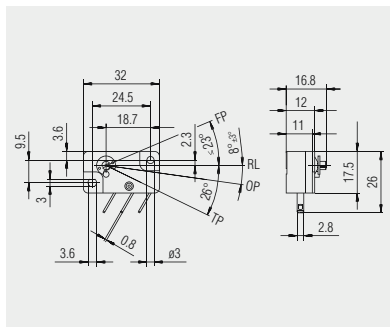


Enclosed loose: actuating lever 80 long, diameter 0.6 mm made of stainless spring steel and fastening disc

FP: free position $\leq 23^\circ$
 OP: operating position $8^\circ \pm 3^\circ$
 TP: permissible total travel position 26°
 Pretravel angle max. 34°
 Overtravel angle min. 15°
 Difference angle $5^\circ - 15^\circ$
 Switch actuating torque 0.6 - 0.9 Nmm
 End actuating torque min. 0.2 Nmm
 Reset torque min. 0.15 Nmm



1040.0114

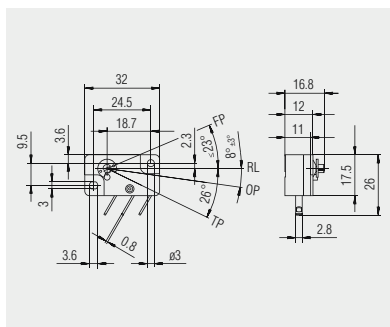


Enclosed loose: actuating lever 80 long, diameter 0.6 mm made of stainless spring steel and fastening disc

FP: free position $\leq 23^\circ$
 OP: operating position $8^\circ \pm 3^\circ$
 TP: permissible total travel position 26°
 Pretravel angle max. 34°
 Overtravel angle min. 15°
 Difference angle $5^\circ - 15^\circ$
 Switch actuating torque 0.9 - 1.7 Nmm
 End actuating torque min. 0.2 Nmm
 Reset torque min. 0.15 Nmm



1040.0301



Without lever and fastening disc

FP: free position $\leq 23^\circ$
 OP: operating position $8^\circ \pm 3^\circ$
 TP: permissible total travel position 46°
 Pretravel angle max. 34°
 Overtravel angle min. 35°
 Difference angle $5^\circ - 15^\circ$
 Switch actuating torque 0.6 - 0.9 Nmm
 End actuating torque ≥ 0 Nmm
 Reset torque ≥ 0 Nmm

ROCKER SWITCHES

PUSHBUTTON SWITCHES

TOGGLE SWITCHES

SLIDE SWITCHES

ROTARY SWITCHES

FOOT SWITCHES

FACT AND KEY SWITCHES

SNAP-ACTION SWITCHES

MICRO-SIGNAL SWITCHES

SENSORS