




Product information GDML 2016 GB1 LED 24 schwarz/black

Industrial Connecting Solutions:Archive - Industrial Connectors:Rectangular connectors GDM-series (Archive):Type A EN 175301-803 (DIN 43650) / ISO 4400:Cable socket with electronic insert:GDML

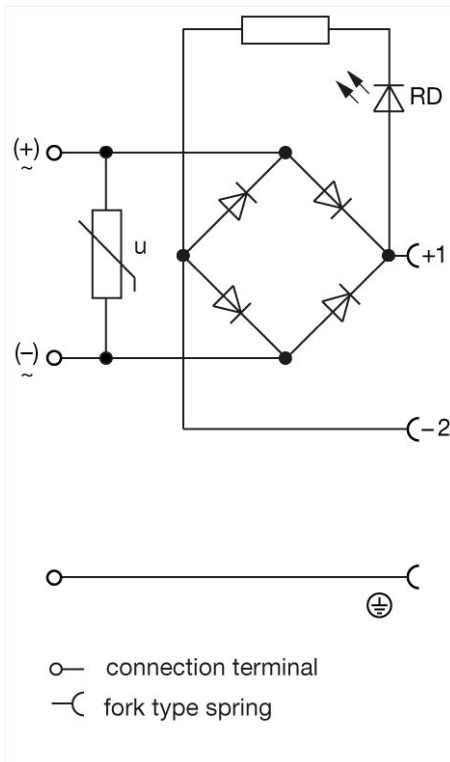
2016 GB1 LED 24 schwarz/black

<http://www.e-catalog.beldensolutions.com/link/57078-24228-62529-86162-24310-24314-35588/en/conf/uistate>

Name	GDML 2016 GB1 LED 24 schwarz/black
	
	bridge-type rectifier with protective circuit (varistor) and function indicator (LED)
Delivery informations	
Availability	available
Product description	
Description	bridge-type rectifier with protective circuit (varistor) and function indicator (LED)
Type	GDML 2016 GB1 LED 24 schwarz/black
Order No.	934 410-002
Other standard types	transparent housing, cable gland grey; Order no. 934 410-003
Number of contacts	2 + PE
Cable gland	M 16 (black)
Conductor size	max. 1.5 mm ²
Standard	DIN EN 175 301-803-A
Housing Color	transparent
Construction type	A
Description of Wiring	
LED color	LED red
Voltage rectifier	bridge-type rectifier
Suppressor	varistor
Technical data	
Pin dimensions	6.3 mm x 0.8 mm, 4.8 mm x 0.8 mm
Rated voltage	AC/DC 24 V
Rated current	2 A (SEV 1011 : 1.5 A) AC / 1 A DC
Contact resistance	<= 4 mOhm
Type of termination	screw
Suitable cables	4.5 mm to 10 mm diameter
Mounting	central nut
Material	
Contact surface material	Sn
Contact bearer material	PA
Housing material	PA
Environmental conditions	
Protection class (IEC 60529)	IP 65 (gasket necessary)
Pollution severity	3
Temperature range	-40 °C to +90 °C
Inflammability class	
Housing	94 HB
Contact bearer	94 HB
Packing unit	
Packaging unit	50 pieces
Scope of delivery and accessories	
Accessories to order separately	(NBR) flat gasket GDM 3-7, Order no. 730 801-002; (EPDM) flat gasket GDM 3-21, Order no. 731 739-004; profiled gasket GDM 3-16, Order no. 731 531-002; knurled screw GDM 3011-8, Order no. 732 574-001; stainless steel screw GDM 3011 RF-1, Order no. 734 363-001

Picture

Drawing



Belden Deutschland GmbH

Im Gewerbepark 2
58579 Schalksmühle
Germany
Phone: +49 7127/14-1806
E-Mail: icos-sales@belden.com

The information published in the websites has been compiled as carefully as possible. It is subject to alteration without notice in technical as well as in price-related/commercial respect. The complete information and data were available on user documentation. Mandatory information can only be obtained by a concrete query.