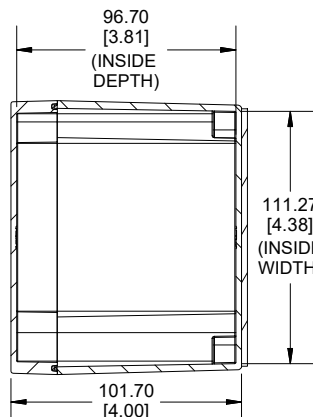
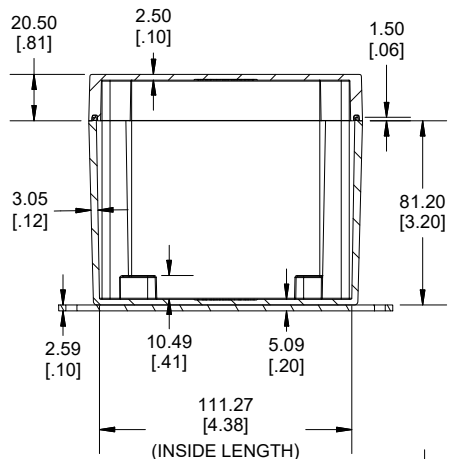
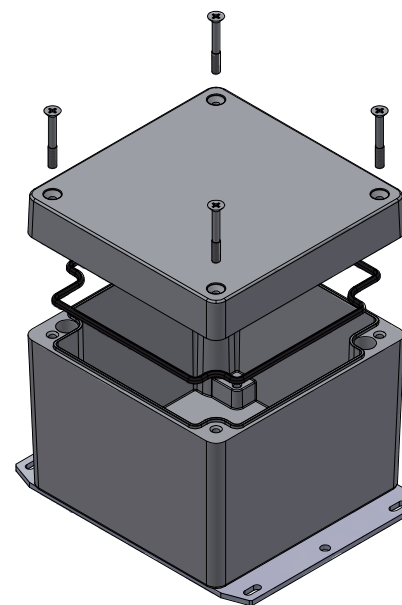


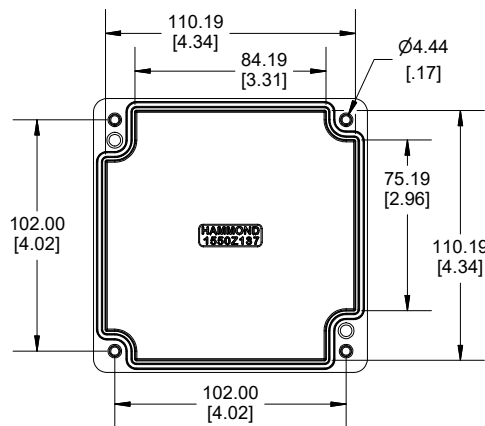
TOP VIEW



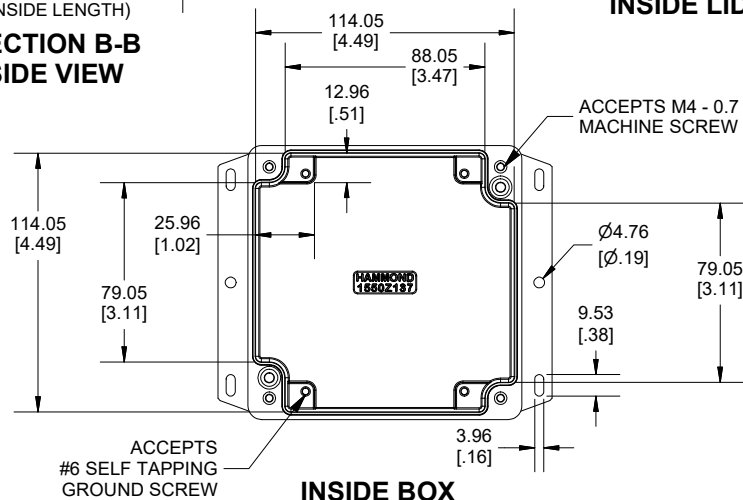
**SECTION A-A
END VIEW**



**SECTION B-B
SIDE VIEW**



INSIDE LID



INSIDE BOX

UL US LISTED
FILE #E71073
NEMA 4, 4X

Enclosures can be Factory Modified (Milling, Drilling, Printing etc.)
Contact Factory (modshop@hammfg.com) for quotes
Solid models of this enclosure available in .stp or .x_t
(Part number and text placement/orientation on our products are subject to change,
we do not recommend using them as a locating reference for modification purposes)

NOTE

Purchased assembly includes box, lid, silicone gasket, and 4 cover screws.
Box and lid are made from Diecast Aluminum Alloy.
Bottom flange is welded.

Recommended Cover screw torque 5-7.5 lbf.in (50 -75 cN.m)

PART NUMBERS

1550Z137 Flange Enclosure

Natural Finish Enclosure

1550Z137F

Black Textured Enclosure

1550Z137FBK

ACCESSORIES

Stainless Steel Cover screws
[M4 - 0.7 x 30mm] (30 Pack)

SC1550Z116-30

Ground Hardware (50 Pack)
#6 Phos. Bronze plate Lock Washer
#6-32 x 5/16 Copper plate Self-Tapping screw

SCG060-50

Pre-Formed Silicone Gasket (2 Pack)

1550Z137GASKET



HAMMOND

1550Z137F

www.hammondmfg.com

Dimensions:
mm
[inches]