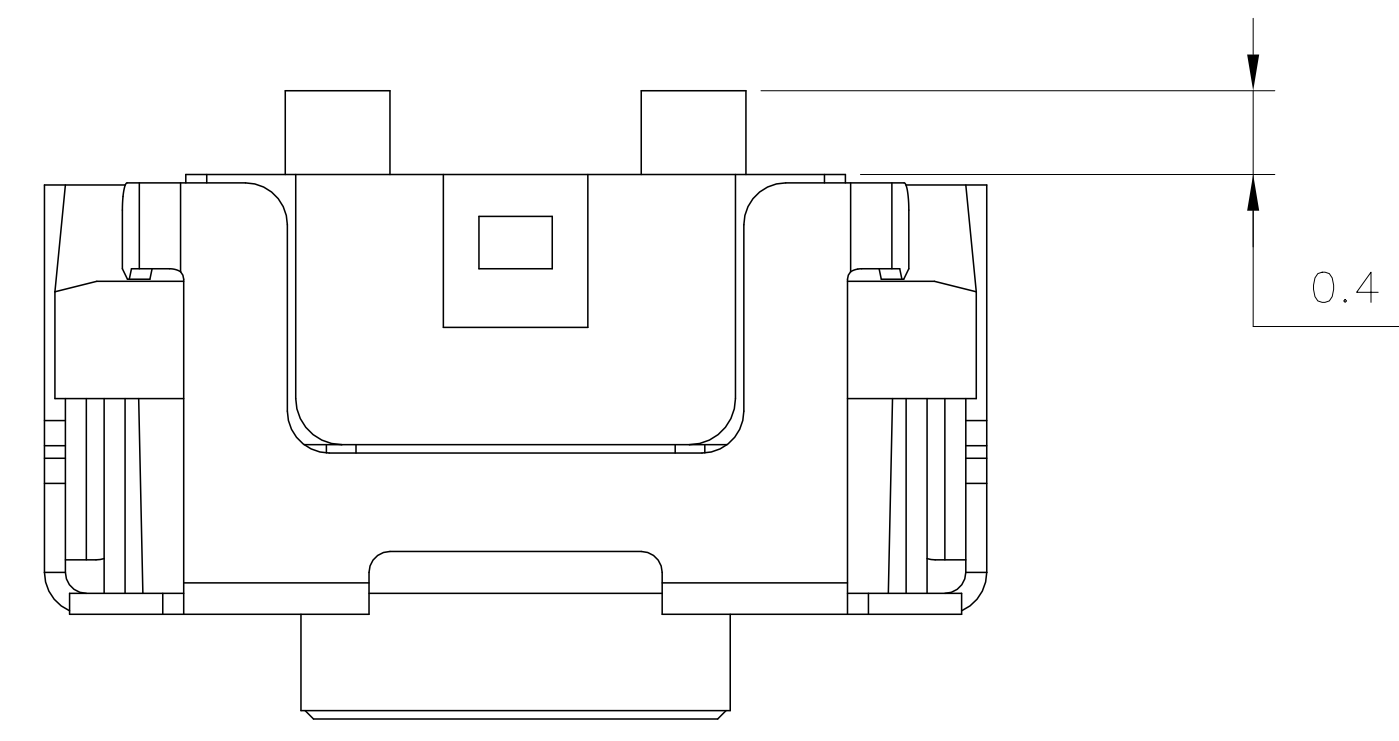
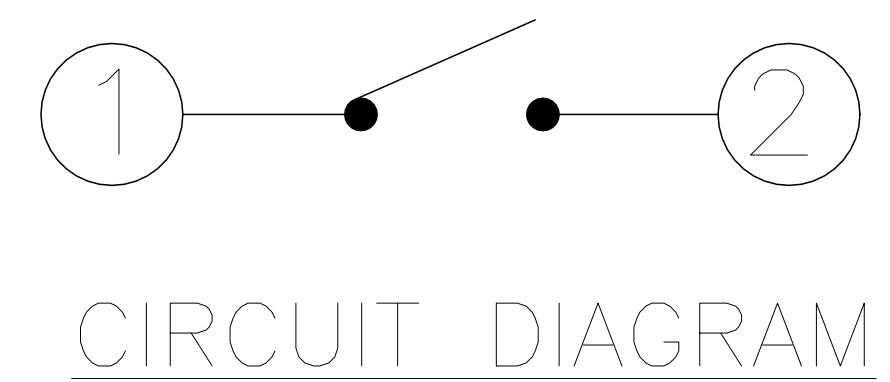
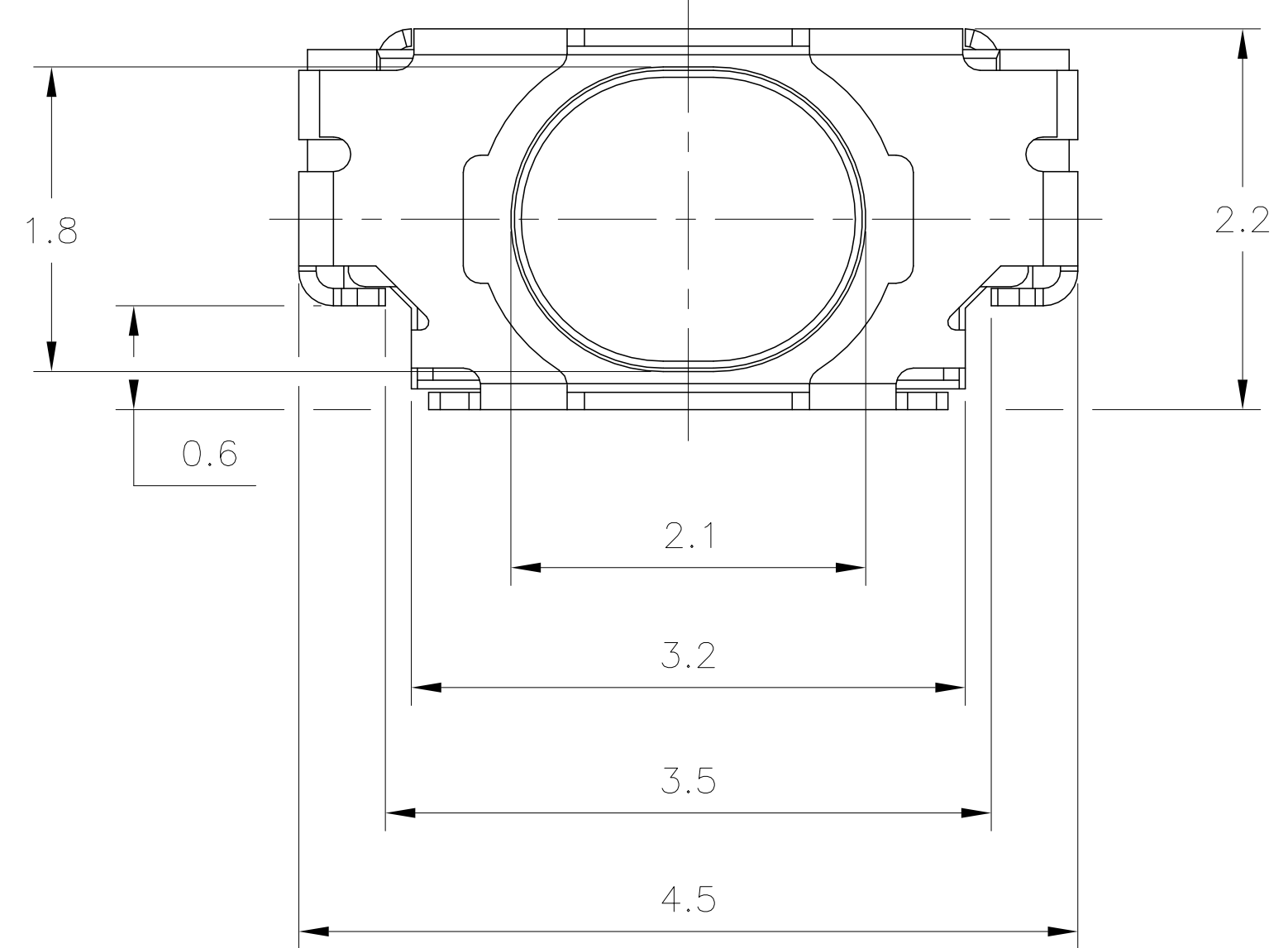
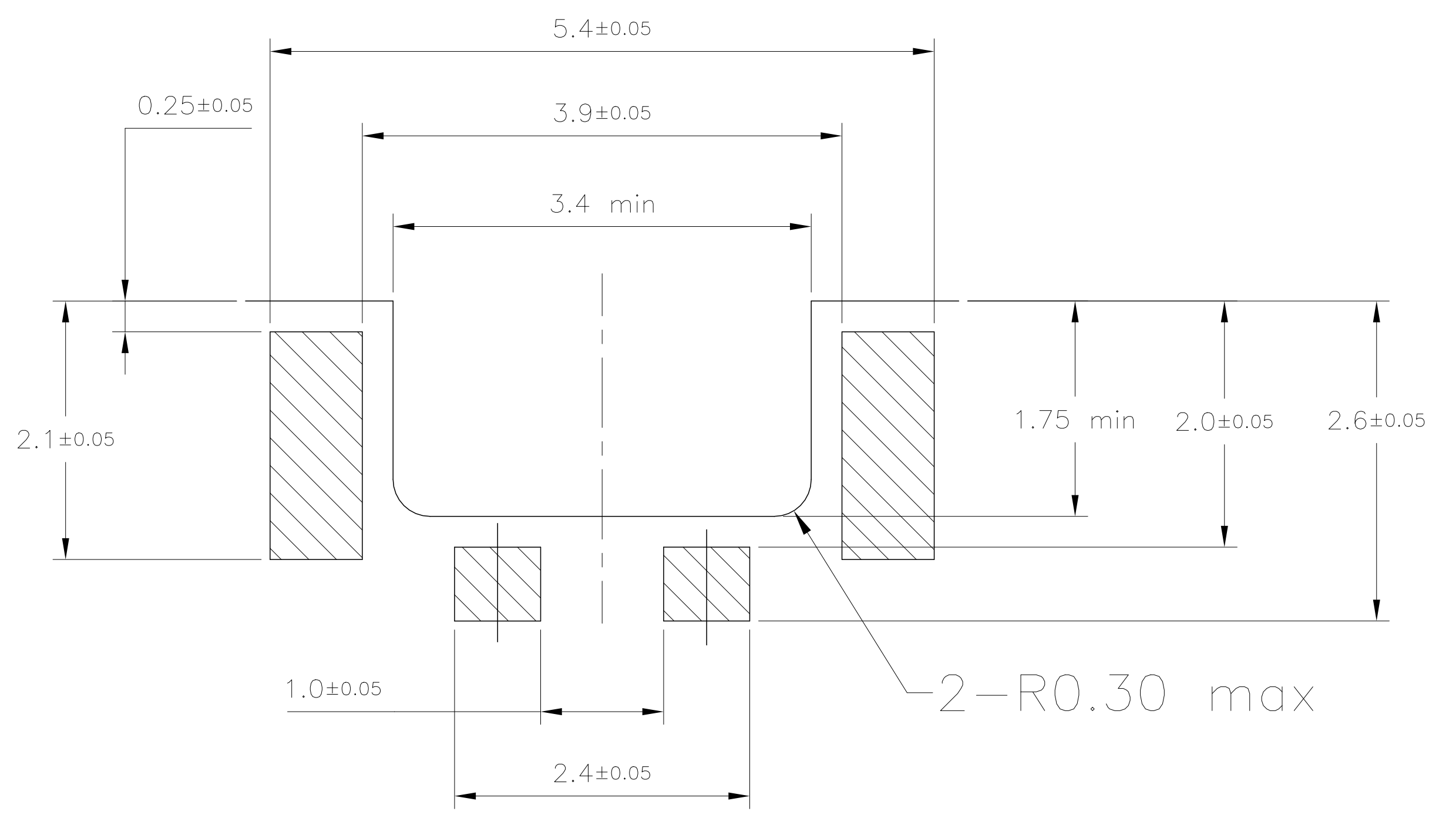
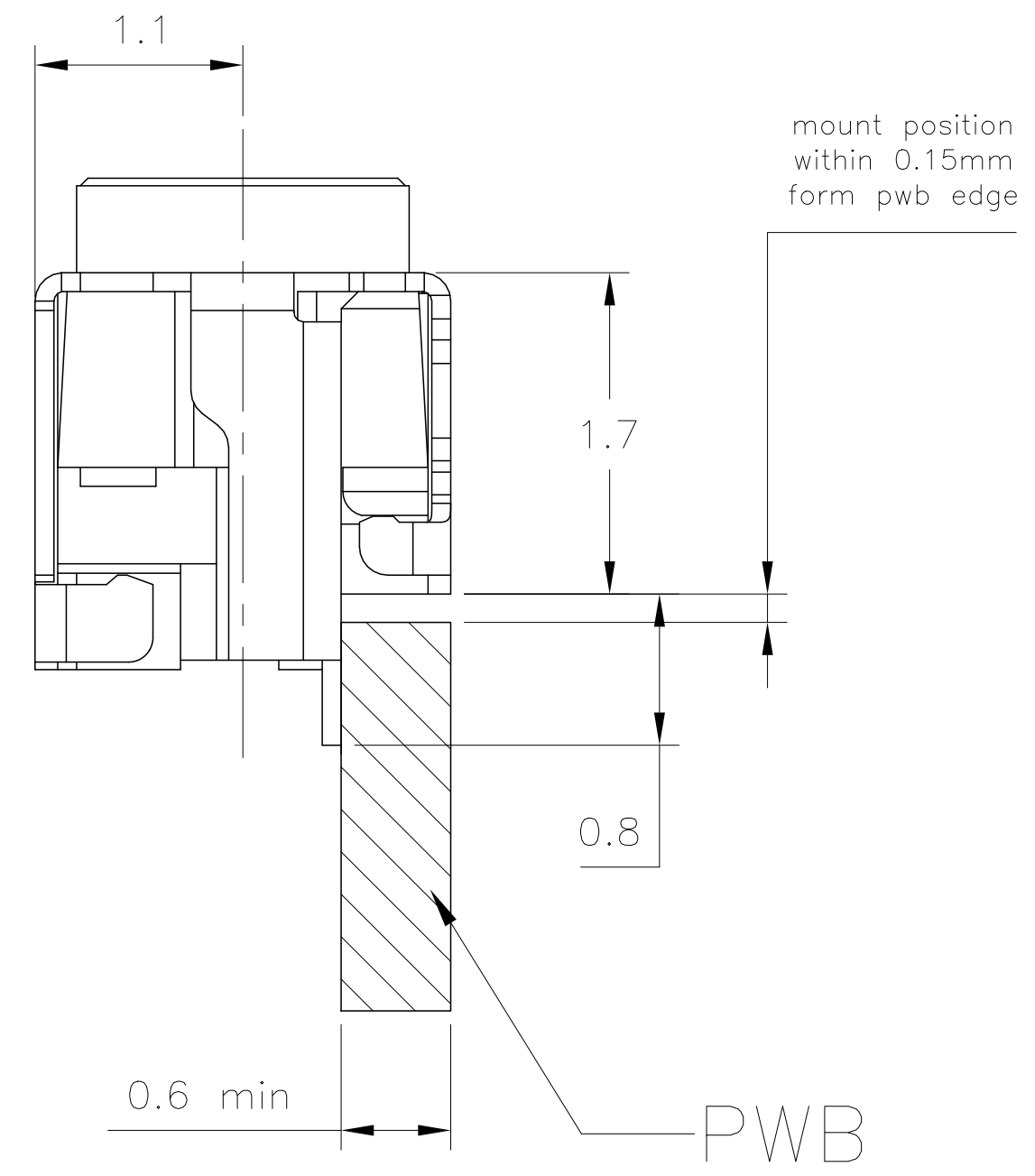
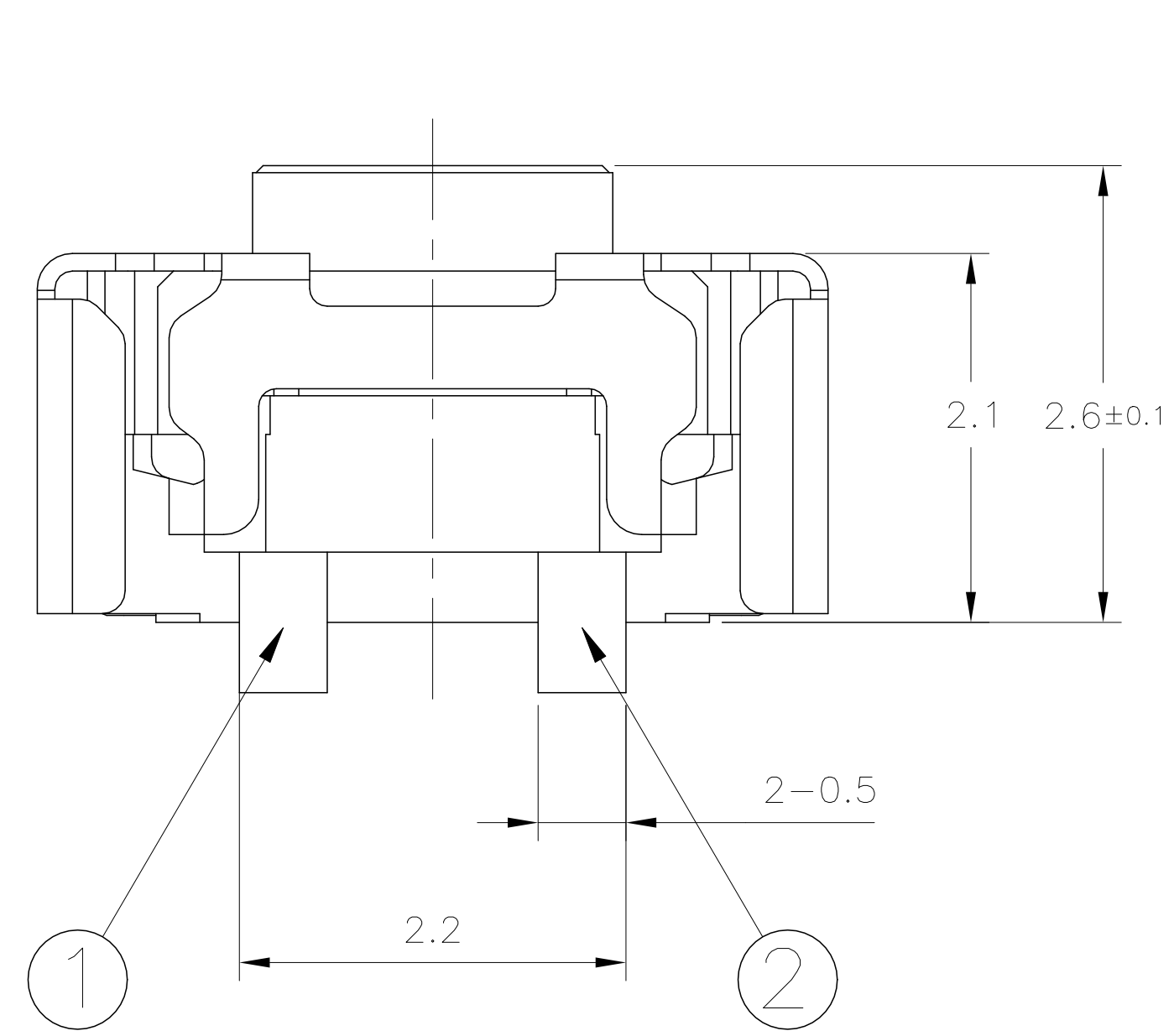


REVISIONS				
P	LTR	DESCRIPTION	DATE	DWN / APVD
A		INITIAL RELEASE	09NOV2022	BB / DM

DRAWING NUMBER	TE PN	TE DESCRIPTIVE PN	IP	OPERATING FORCE	LIFE CYCLE
2425578	2425578-1	Edge mount, right angle tactile, 160gf	67	160 ±50 gf	600,000



### P.C.B SOLDER LAND DIMENSION

**SPECIFICATIONS:**

**MATERIALS:**  
CASE: LCP UL94V-0  
ACTUATOR: PA46 UL94HB  
COVER: STAINLESS STEEL, Au PLATING. TAPE: PI TAPE  
MOVING CONTACT: STAINLESS STEEL Ag Clad  
FIXED CONTACT/TERMINAL: PHOSPHOR BRONZE Ag PLATING

**ELECTRICAL:**  
CONTACT RATING: 50mA @12V DC.  
CONTACT RESISTANCE: 500mΩ MAX.  
INSUALTION RESISTANCE: 100MΩ MIN. @100V DC.  
DIAELECTRIC STRENGHT: 250V AC FOR 1 MINUTE.  
LIFE EXPECTANCY: SEE P/N TABLE (2 CYCLE PER SECOND AND 150% ACTUATION FORCE).

**MECHANICAL:**  
ACTUATOR FORCE: SEE P/N TABLE.  
ACTUATOR TRAVEL: 0.15±0.1mm  
LIFE EXPECTANCY: SEE P/N TABLE (2 CYCLE PER SECOND AND 150% ACTUATION FORCE).

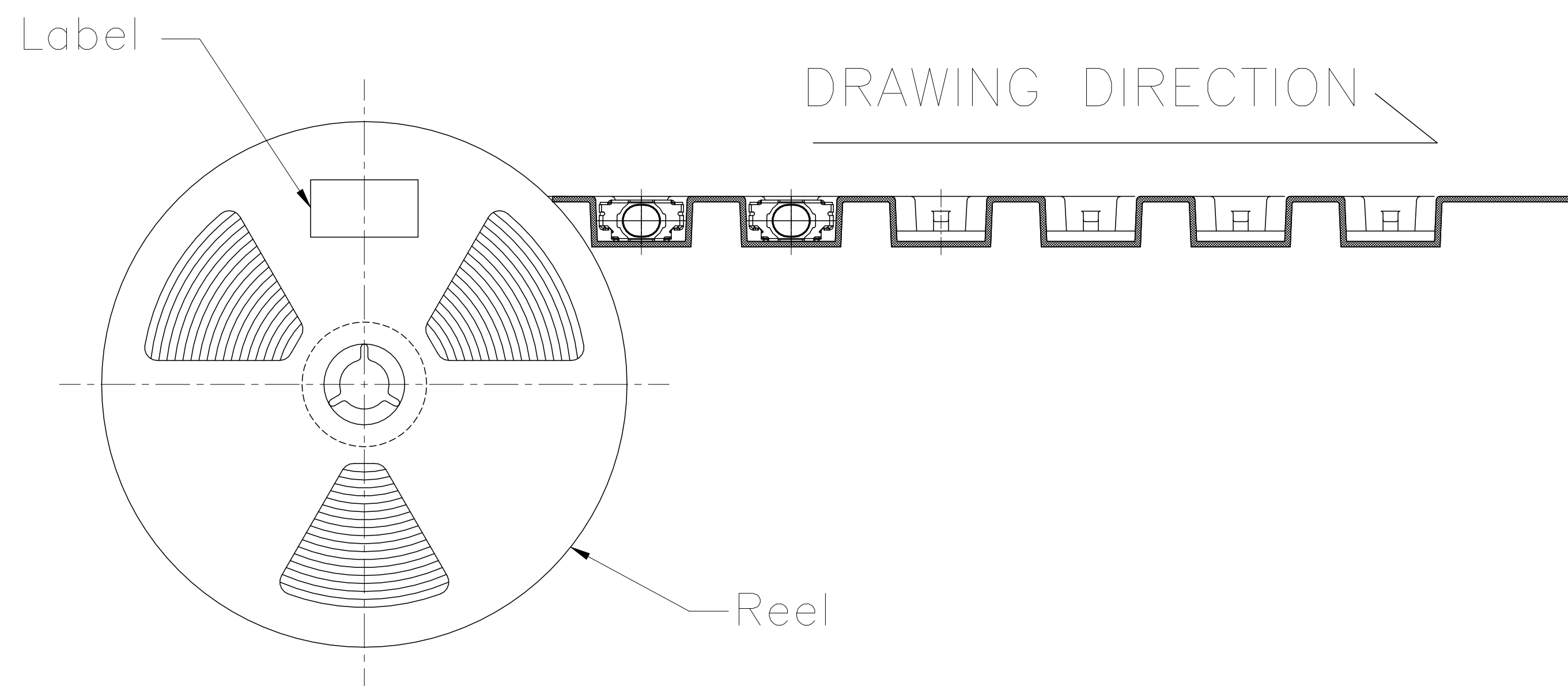
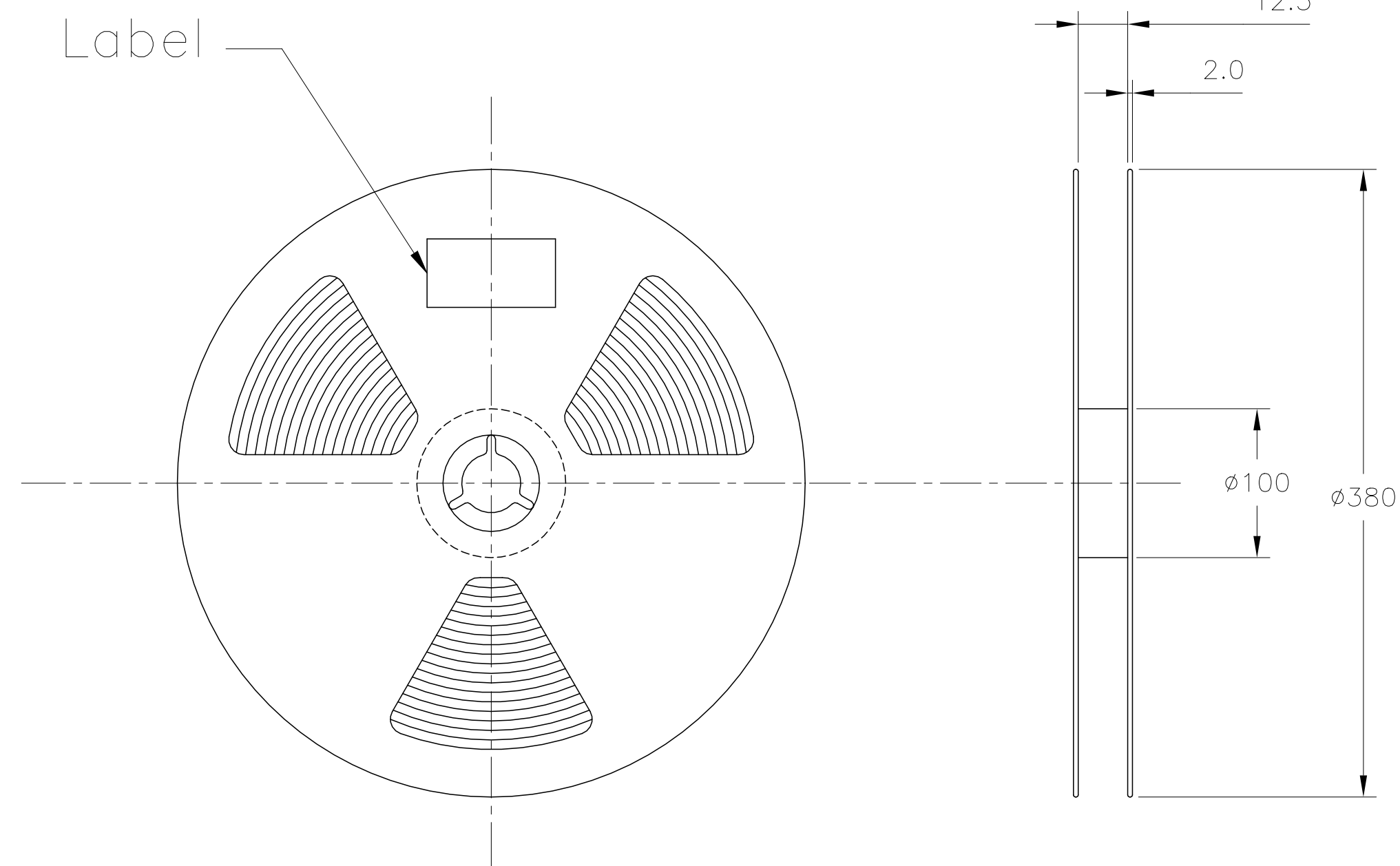
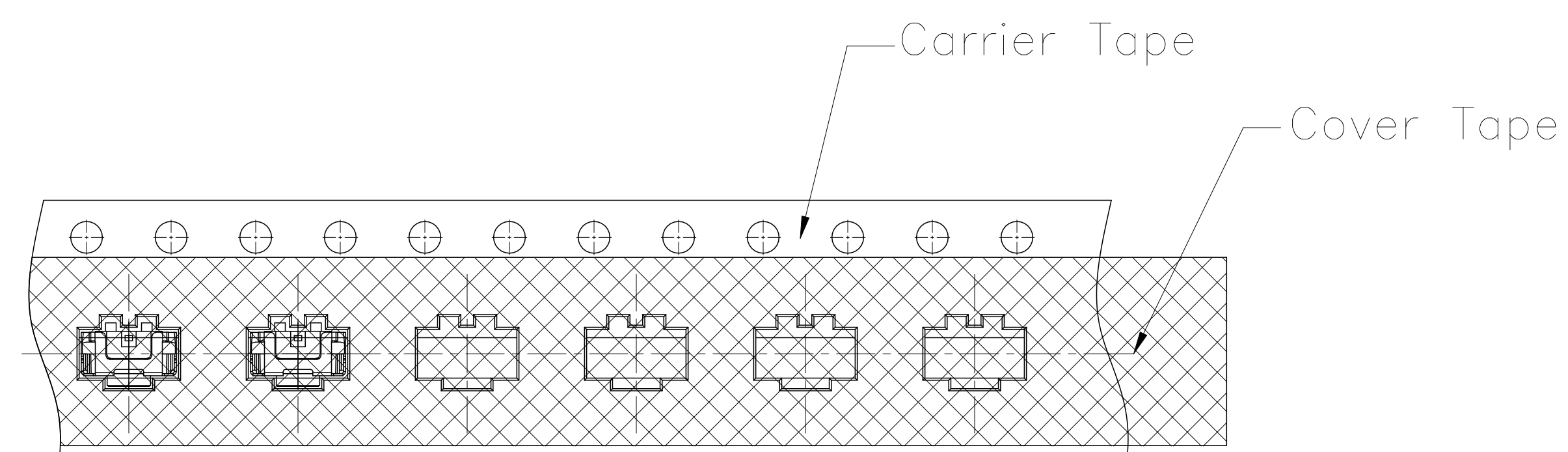
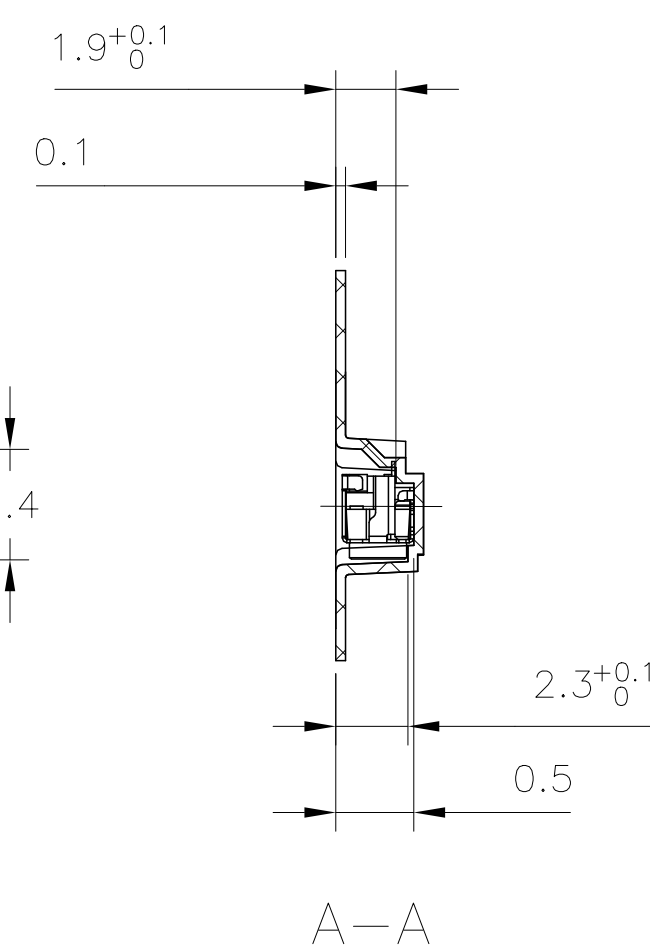
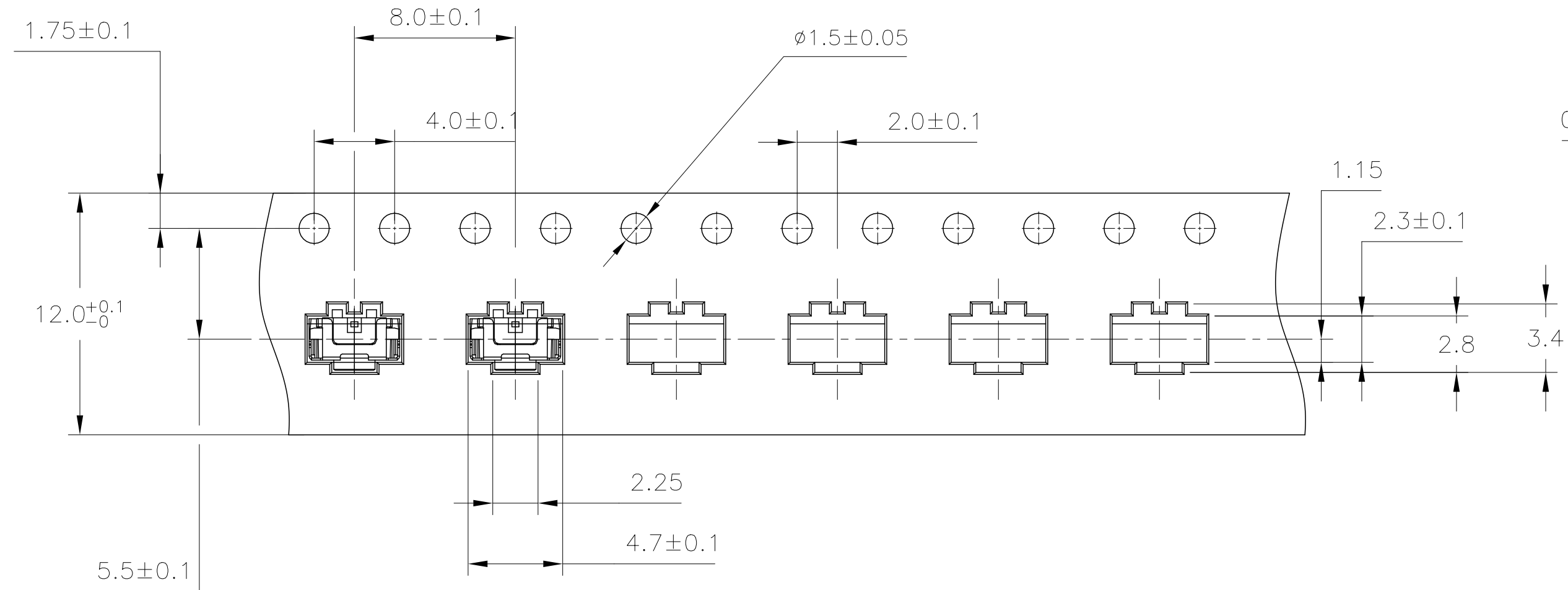
**ENVIRONMENTAL:**  
OPERATING TEMPERATURE: -30°C TO 85°C. 45-85% RH.  
STORAGE TEMPERATURE: -30°C TO 80°C.  
SOLDERABILITY: REFLOW: 150-200°C. 120±20SEC. FOR PERHEAT, PEAK TEMP. 260°C,TEMP. AREA 217°C 90-120 SEC.  
MANUAL: SOLDERING TEMP. 350°C, SOLDERING TIME 3 SEC.

**NOTES:**

- 1. DIMENSION IN MILLIMETERS
- 2. GENERAL TOLERANCE ± 0.2mm

THIS DRAWING IS A CONTROLLED DOCUMENT.		DWN: BALAJI, B	09NOV2022	<b>STE</b> TE Connectivity
DIMENSIONS: mm		CHK: DAVID_MALDONADO	09NOV2022	
TOLERANCES UNLESS OTHERWISE SPECIFIED:		APVD: DAVID_MALDONADO	09NOV2022	NAME: Edge mount, right angle tactile, 160gf
0 PLC	±	PRODUCT SPEC		SIZE: A1
1 PLC	±	APPLICATION SPEC		CAGE CODE: 00779
2 PLC	±			DRAWING NO: 2425578
3 PLC	±			RESTRICTED TO: -
4 PLC	±			SCALE: NTS
ANGLES	* -	WEIGHT		SHEET 1 of 2
MATERIAL: -	FINISH: -	CUSTOMER DRAWING		REV A

REVISIONS				
P	LTR	DESCRIPTION	DATE	APVD
-	-	SEE SHEET 1	-	-



2425578-1	4,400
TE PART NUMBER	QTY/REEL

THIS DRAWING IS A CONTROLLED DOCUMENT.		DWN: BALAJI, B	09NOV2022	<b>STE</b> TE Connectivity
DIMENSIONS: mm		CHK: DAVID_MALDONADO	09NOV2022	
TOLERANCES UNLESS OTHERWISE SPECIFIED:		APVD: DAVID_MALDONADO	09NOV2022	NAME: Edge mount, right angle tactile, 160gf
0 PLC	±	PRODUCT SPEC		
1 PLC	±	APPLICATION SPEC		
2 PLC	±			
3 PLC	±			
4 PLC	±			
ANGLES	±			
FINISH	-	WEIGHT		
MATERIAL: -		CUSTOMER DRAWING		RESTRICTED TO: -
		SIZE: A1	CAGE CODE: 00779	DRAWING NO: C=2425578
		SCALE: NTS	SHEET: 2 of 2	REV: A