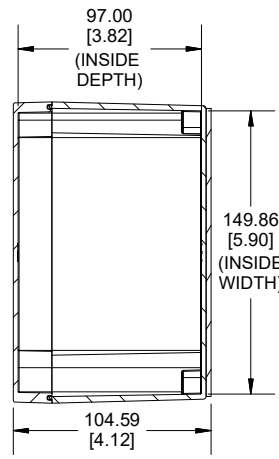
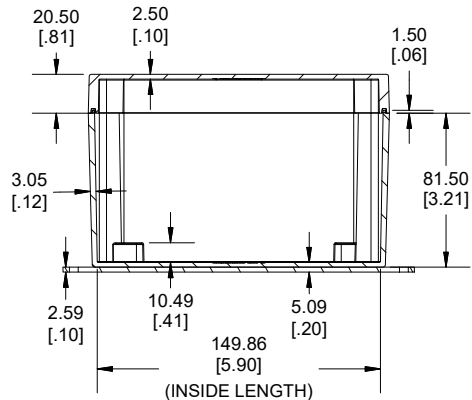


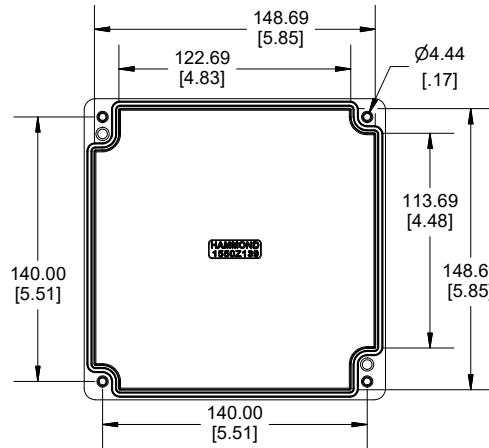
**TOP VIEW**



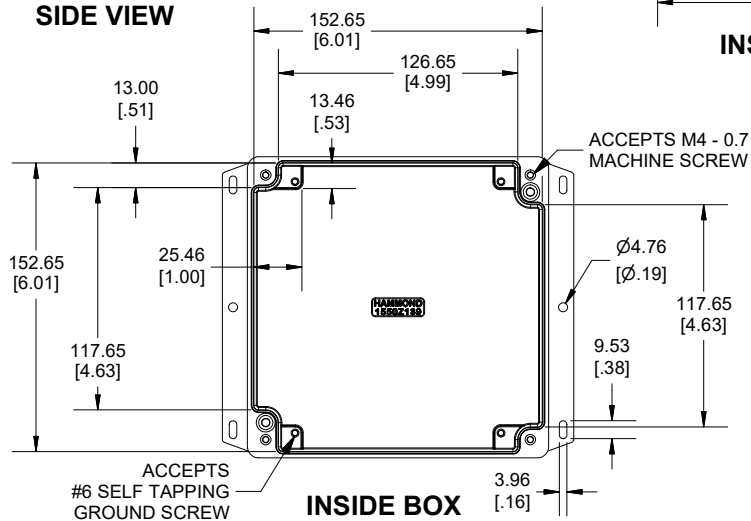
**SECTION A-A  
END VIEW**



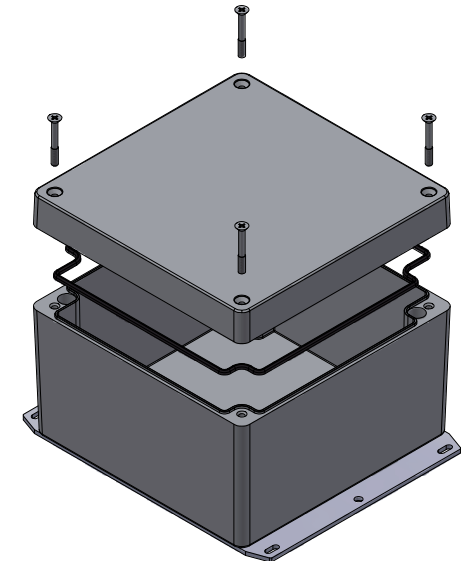
**SECTION B-B  
SIDE VIEW**



**INSIDE LID**



**INSIDE BOX**



**UL** US LISTED  
FILE #E71073  
NEMA 4, 4X

Enclosures can be Factory Modified (Milling, Drilling, Printing etc.)  
Contact Factory ([modshop@hammfg.com](mailto:modshop@hammfg.com)) for quotes  
Solid models of this enclosure available in .stp or .x\_t  
(Part number and text placement/orientation on our products are subject to change,  
we do not recommend using them as a locating reference for modification purposes)

NOTE	
Purchased assembly includes box, lid, silicone gasket, and 4 cover screws. Box and lid are made from Diecast Aluminum Alloy. Bottom flange is welded.	
Recommended Cover screw torque 5-7.5 lbf.in (50 -75 cN.m)	
PART NUMBERS	
1550Z139 Flange Enclosure	
Natural Finish Enclosure	1550Z139F
Black Textured Enclosure	1550Z139FBK
ACCESSORIES	
Stainless Steel Cover screws [M4 - 0.7 x 30mm] (30 Pack)	SC1550Z116-30
Ground Hardware (50 Pack) #6 Phos. Bronze plate Lock Washer #6-32 x 5/16 Copper plate Self-Tapping screw	SCG060-50
Pre-Formed Silicone Gasket (2 Pack)	1550Z139GASKET

Dimensions:  
mm  
[inches]

**HAMMOND**  
**1550Z139F**  
[www.hammondmfg.com](http://www.hammondmfg.com)