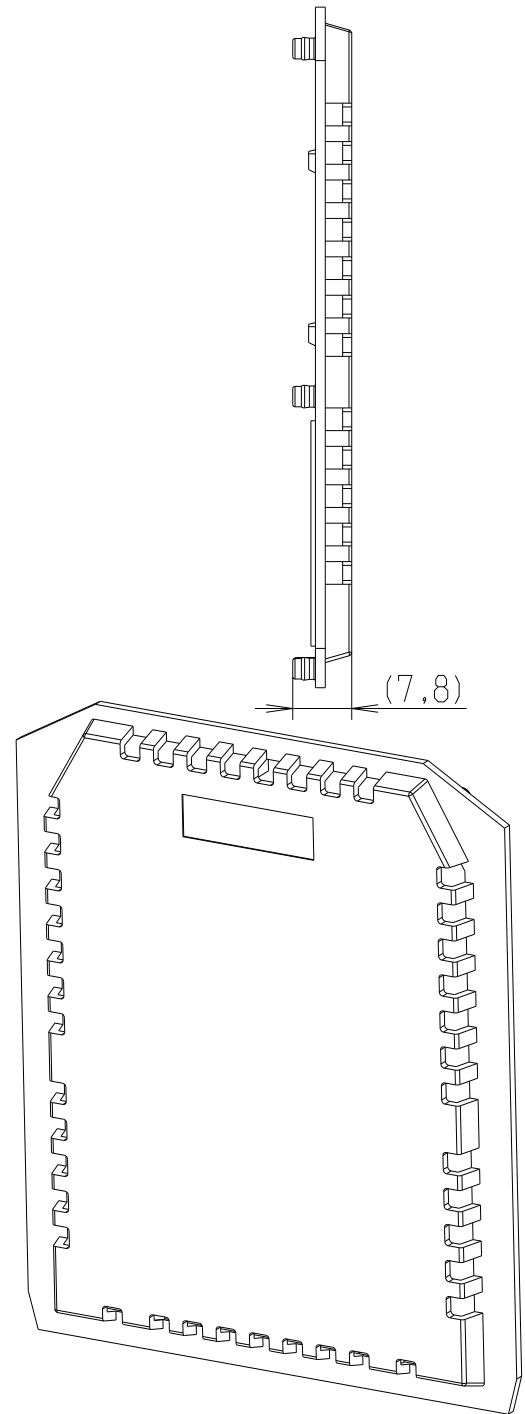
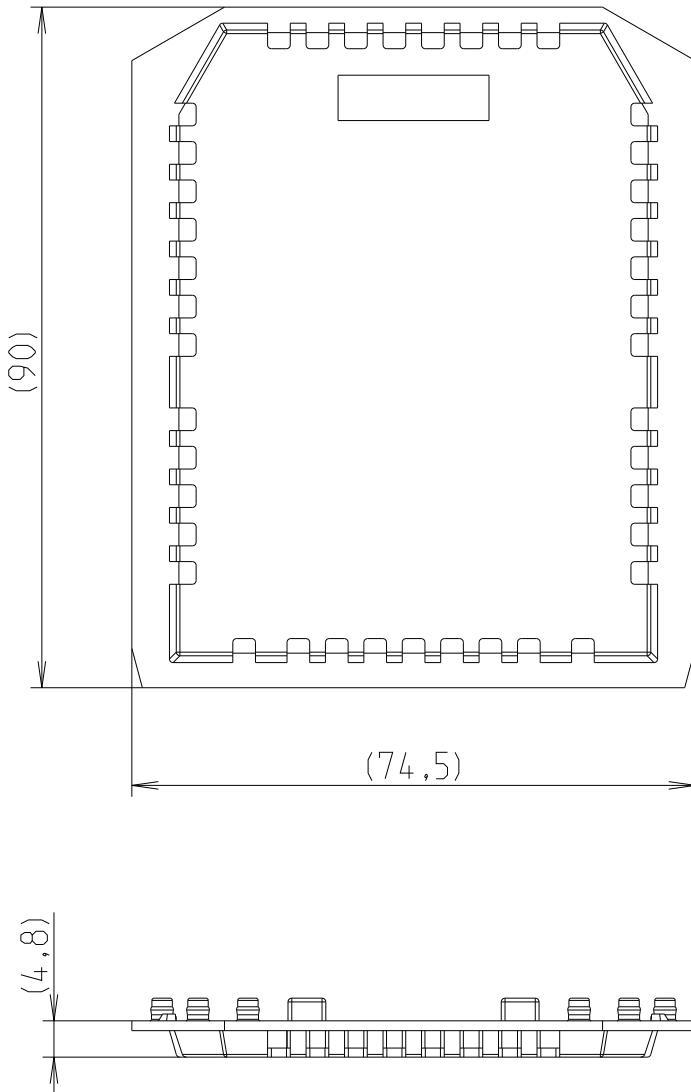


REVISIONS

P	LTR	DESCRIPTION	DATE	DWN	APVD
	A	First Released	25FEB2022		



© 2022 TE Connectivity. All Rights Reserved.

DIMENSIONS: mm	DWN 06-May-22 05:20:22 PM VirLouvet, Annie	MATERIAL	Polyamid	FINISH	-
	CHK				
TOLERANCES UNLESS OTHERWISE SPECIFIED:	APVD				
0 PLC ±	PRODUCT SPEC	NAME	PF11.BL		
1 PLC ±0.1	-	1SNA126519R1600		RESTRICTED TO	
2 PLC ±0.01	APPLICATION SPEC	SIZE	CAGE CODE	DRAWING NO	
3 PLC ±0.001	-	A 4	00779	©-1SNP065577-0100	
4 PLC ±0.0001	WEIGHT	9.9			
ANGLES ±	Customer Drawing				
	SCALE	1:1	SHEET	1 OF 1	REV A3