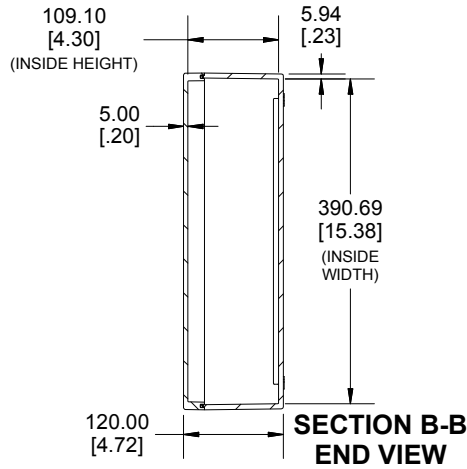
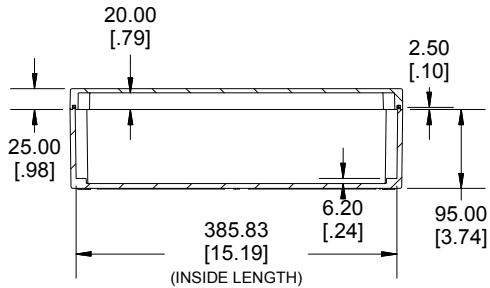
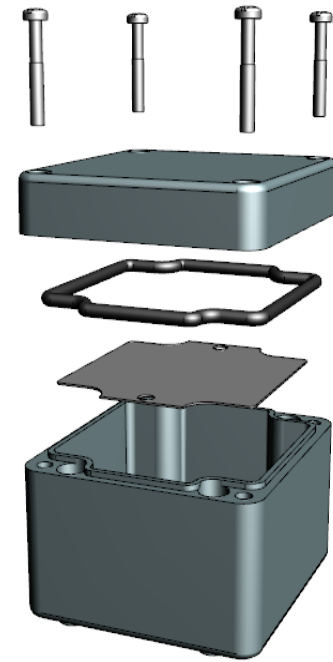


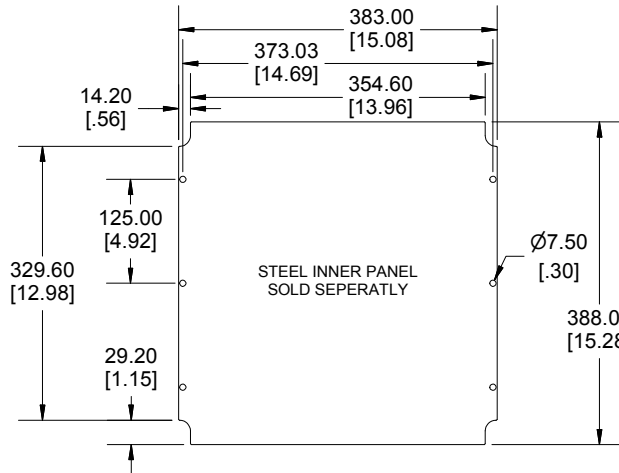
**TOP VIEW**



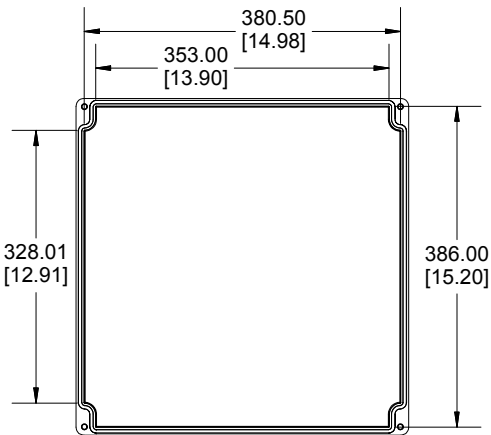
**SECTION B-B  
END VIEW**



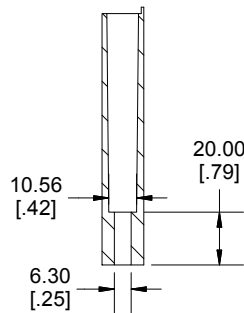
**SECTION A-A  
SIDE VIEW**



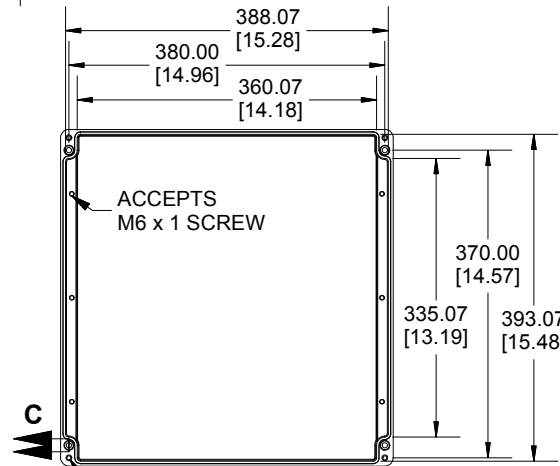
STEEL INNER PANEL  
SOLD SEPERATLY



**INSIDE LID**



**SECTION C-C  
MOUNTING HOLE**



**INSIDE BOX**

Dimensions:  
mm  
[inches]



Enclosures can be Factory Modified ( Milling, Drilling, Printing etc.)  
Contact Factory [mjm@hammondmfg.com](mailto:mjm@hammondmfg.com) for quotes  
Solid models of this enclosure available in STEP or IGES.  
(Part number and text placement/orientation on our products are subject to change,  
we do not recommend using them as a locating reference for modification purposes)

<b>NOTE</b>	
Purchased assembly includes Box, Lid, Gasket and 4 cover screws	
Enclosure Molded from Glass Reinforced Polyester	
<b>Screw Should Not be Torqued Past 8-9.5 lbf.in (90-110 cN.m)</b>	
<b>PART NUMBERS</b>	
1590ZGRP253 Enclosure	
Grey Enclosure	1590ZGRP253GY
<b>ACCESSORIES</b>	
Copper Ground Hardware (4 Pack) [M6 - 1.0 X 6mm / M6 Washer]	SCGM6GRP
Steel Inner Panel	1590ZGRP253PL
Hinge Kit (2 Pack)	1427HK

**1590ZGRP253**  
[www.hammondmfg.com](http://www.hammondmfg.com)