

**WINSTAR Display**

**OLED SPECIFICATION**

Model No:

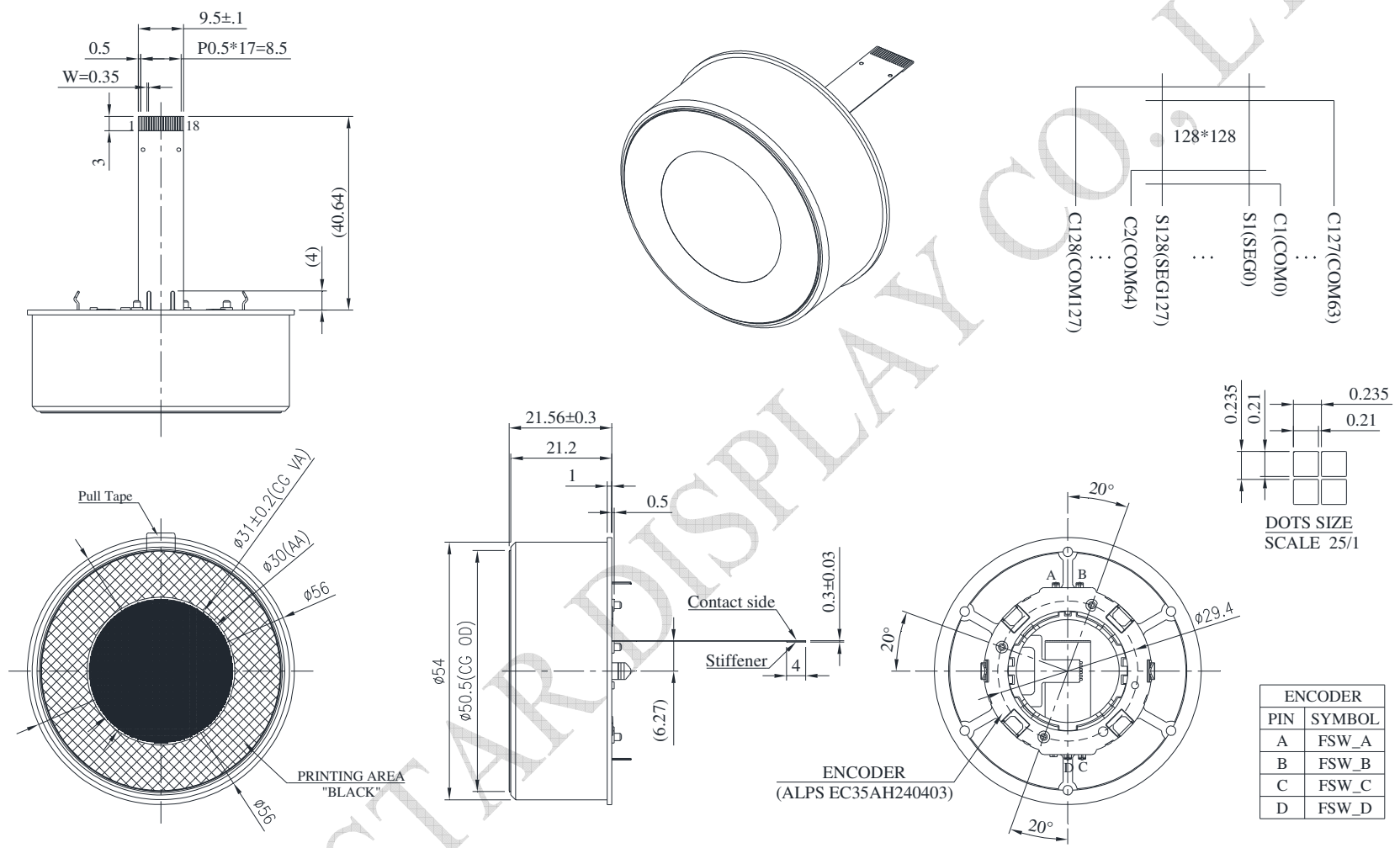
***WEO128128D-CTP-Knob***

## General Specification

Item	Dimension	Unit
Dot Matrix	128 x 128 Dots	—
Module dimension	Ø56x 21.56	mm
Active Area	Ø30.0	mm
Pixel Size	0.210 x 0.210	mm
Pixel Pitch	0.235 x 0.235	mm
Display Mode	Passive Matrix	
Display Color	Monochrome	
Drive Duty	1/128 Duty	
Gray Scale	4 bits	
OLED IC	SSD1327	
OLED Interface	4-line SPI , I2C	
Size	1.18 inch	

CTP IC	FT3268
Detect Point	1
CTP Interface	I2C

# Contour Drawing & Block Diagram



PIN	SYMBOL
1	VSS
2	VCC
3	VCOMH
4	VCI
5	VDD
6	BS1
7	IREF
8	CS#
9	RES#
10	D/C#
11	D0
12	D1
13	D2
14	TP_SCK
15	TP_SDA
16	TP_INT
17	VCC
18	VSS

ENCODER	
PIN	SYMBOL
A	FSW_A
B	FSW_B
C	FSW_C
D	FSW_D

The non-specified tolerance of dimension is  $\pm 0.3$  mm .

Please refer to the 3D diagram of the following website for the installation and fixing method of Encoder:  
<https://tech.alpsalpine.com/prod/c/html/encoder/ring/ec35ah/ec35ah240403.html>

## Interface Pin Function

No.	Symbol	Function						
1	VSS	Ground pin. It must be connected to external ground.						
2	VCC	Power supply for panel driving voltage. This is also the most positive power voltage supply pin. It is supplied by external high voltage source.						
3	VCOMH	COM signal deselected voltage level. A capacitor should be connected between this pin and VSS. No external power supply is allowed to connect to this pin.						
4	VCI	Low voltage power supply and power supply for interface logic level. It should match with the MCU interface voltage level and must be connected to external source. VCI must always set to be equivalent to or higher than VDD.						
5	VDD	Power supply pin for core logic operation. VDD can be supplied externally (within the range of 2.4V to 2.6V) or regulated Internally from VCI. A capacitor should be connected between VDD and VSS under all circumstances.						
6	BS1	MCU bus interface selection pins. Select appropriate logic setting as described in the following table. BS1 is pin select. Bus Interface selection <table border="1" style="margin-left: 20px;"> <thead> <tr> <th>BS1</th> <th>Interface</th> </tr> </thead> <tbody> <tr> <td>0</td> <td>4-line SPI</td> </tr> <tr> <td>1</td> <td>I2C</td> </tr> </tbody> </table> <p>Note (1) 0 is connected to VSS (2) 1 is connected to VCI</p>	BS1	Interface	0	4-line SPI	1	I2C
BS1	Interface							
0	4-line SPI							
1	I2C							
7	IREF	This pin is the segment output current reference pin						
8	CS#	This pin is the chip select input connecting to the MCU. The chip is enabled for MCU communication only when CS# is pulled LOW (active LOW).						
9	RES#	This pin is reset signal input. When the pin is pulled LOW, initialization of the chip is executed. Keep this pin pull HIGH during normal operation.						
10	DC#	This pin is Data/Command control pin connecting to the MCU. When the pin is pulled HIGH, will be interpreted as data. When the pin is pulled LOW, will be transferred to a command register In I2C mode, this pin acts as SA0 for slave address selection.						
11	D0	When serial interface mode is selected, D0 will be the serial clock input: SCLK; D1 will be the serial data input: SDIN and D2 should be kept NC. When I2C mode is selected, D2, D1 should be tied together and serve as SDAout, SDAin in application and D0 is the serial clock input, SCL.						
12	D1							
13	D2							
14	TP_SCK	I2C clock signal						
15	TP_SDA	I2C data signal						
16	TP_INT	Interrupt signal						
17	VCC	Power supply for panel driving voltage. This is also the most positive power voltage supply pin.						
18	VSS	Ground						

### Encoder PIN Definition

No.	Symbol	Function
1	FSW_A	Encoder terminal signal-A
2	FSW_B	Encoder terminal signal-B
3	FSW_C	Encoder terminal signal-C
4	FSW_D	Ground

## Absolute Maximum Ratings

Parameter	Symbol	Min	Max	Unit
Supply Voltage for Operation	VCI	-0.3	3.6	V
Supply Voltage for Logic	VDD	-0.5	2.75	V
Supply Voltage for Display	VCC	-0.5	19.0	V
Operating Temperature	TOP	-20	+70	°C
Storage Temperature	TSTG	-30	+70	°C

## Electrical Characteristics

### 1 DC Electrical Characteristics

Item	Symbol	Condition	Min	Typ	Max	Unit
Supply Voltage for Operation	VCI	—	2.8	3.0	3.3	V
Supply Voltage for Display	VCC	—	8.0	14.5	15.0	V
Supply Voltage for Logic	VDD	—	1.65	—	2.6	V
High Level Input	VIH	—	0.8×VCI	—	VCI	V
Low Level Input	VIL	—	0	—	0.2×VCI	V
High Level Output	VOH	I <sub>out</sub> = 100uA	0.9×VCI	—	VCI	V
Low Level Output	VOL	I <sub>out</sub> = 100uA	0	—	0.1×VCI	V
50% Check Board operating Current		VCC = 14.5V	—	15	30	mA

### 2 Touch Panel Controller FT3268

Item	Symbol	Condition	Min	Typ	Max	Unit
Input High Volt.	VIH	—	0.7×VDD	—	VDD	V
Input Low Volt.	VIL	—	-0.3	—	0.3×VDD	V
Output High Volt.	VOH	I <sub>OH</sub> = 0.1mA	0.7×VDD	—	—	V
Output Low Volt.	VOL	I <sub>OL</sub> = 0.1mA	—	—	0.3×VDD	V