

**ebm-papst St. Georgen GmbH & Co. KG**

Hermann-Papst-Str. 1
 D-78112 St. Georgen
 Phone +49 (0) 7724 81-0
 Fax +49 (0) 7724 81-1309
 info2@de.ebmpapst.com
 www.ebmpapst.com

Nominal data

| Type | ACI 4420 HH | |
|--------------------------|-------------------|------------|
| Phase | | 1~ |
| Nominal voltage | VAC | 230 |
| Nominal voltage range | VAC | 195 .. 265 |
| Type of data definition | | fa |
| Speed | min ⁻¹ | 3300 |
| Power input | W | 4.4 |
| Min. ambient temperature | °C | -20 |
| Max. ambient temperature | °C | 75 |
| Air flow | m ³ /h | 175 |
| Sound power level | B | 5.3 |
| Sound pressure level | dB(A) | 42 |

ml = Max. load · me = Max. efficiency · fa = Running at free air · cs = Customer specs · cu = Customer unit
 Subject to alterations

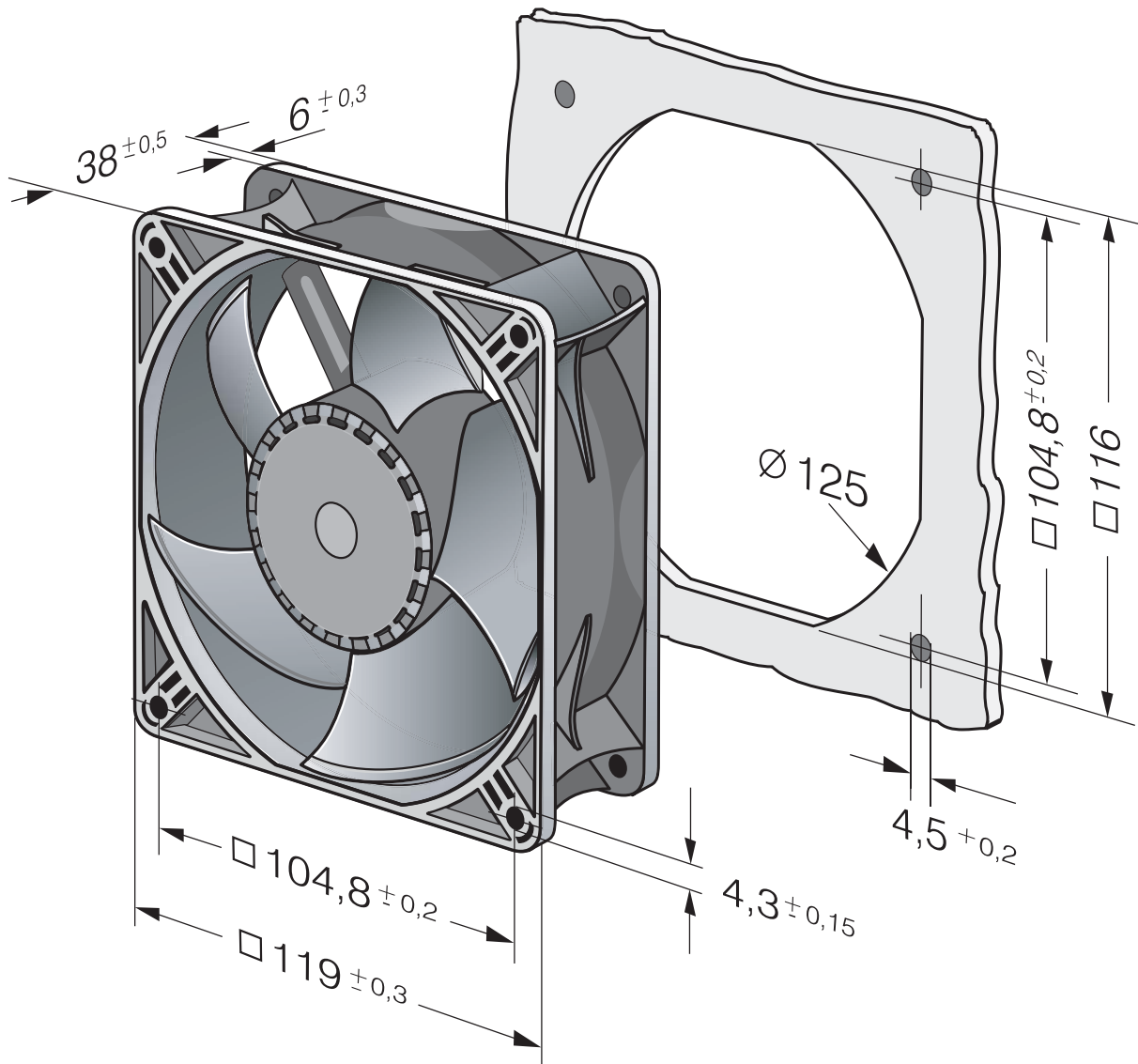


Technical features

| | |
|--------------------------------------------|--------------------------------------------------------|
| General description | Completely integrated converter and fan electronics |
| Mass | 0.250 kg |
| Dimensions | 119 x 119 x 38 mm |
| Material of impeller | Fibreglass-reinforced plastic (PA) |
| Housing material | Fibreglass-reinforced plastic (PBT) |
| Direction of air flow | Exhaust over struts |
| Direction of rotation | Clockwise, looking at rotor |
| Bearing | Ball bearings |
| Lifetime L10 at 40 °C | 65000 h |
| Lifetime L10 at maximum temperature | 25000 h |
| Connection line | Via 2 flat plugs 2,8 x 0,5 mm flying leads optional |



Product drawing



Charts

