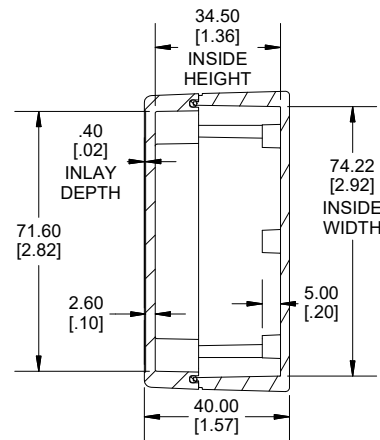
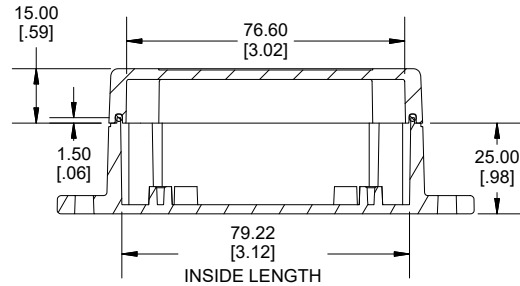
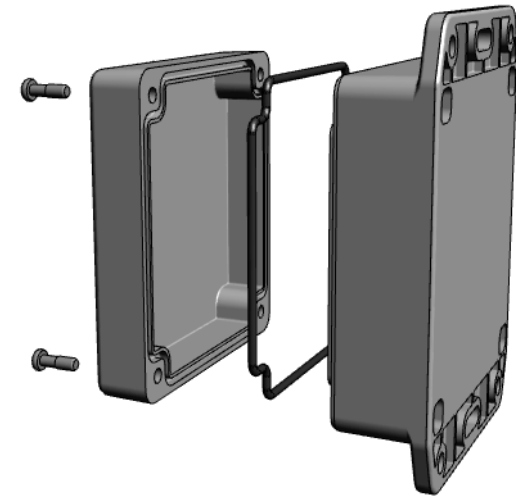


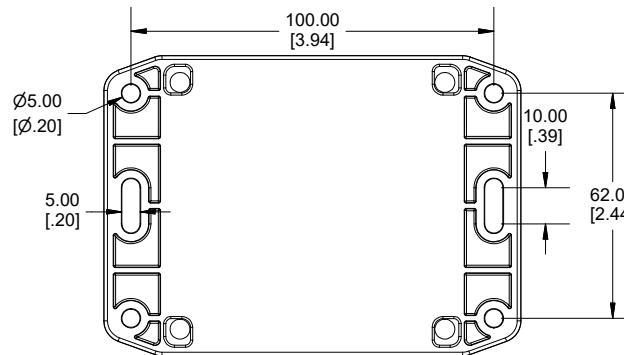
TOP VIEW



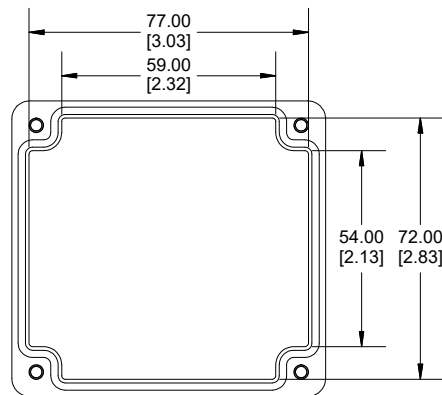
END VIEW SECTION A-A



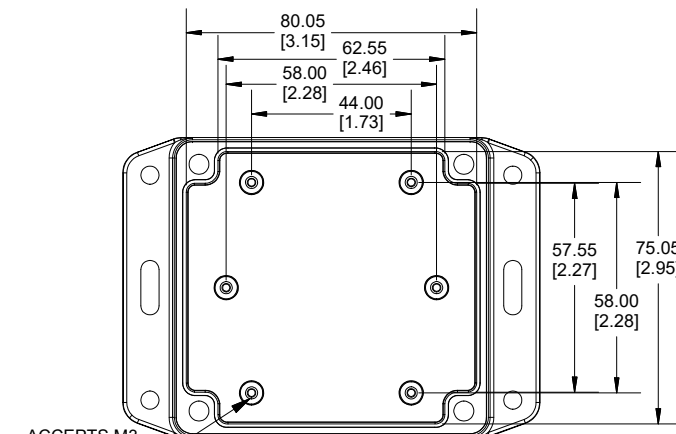
SIDE VIEW SECTION B-B



BOTTOM BOX



INSIDE LID



INSIDE BOX

ACCEPTS M3 SELF-TAPPING SCREW

Dimensions:
mm
[inches]

Enclosures can be Factory Modified (Milling, Drilling, Printing etc.)
Contact Factory (modshop@hammfg.com) for quotes
Solid models of this enclosure available in .stp or .x_t
(Part number and text placement/orientation on our products are subject to change, we do not recommend using them as a locating reference for modification purposes)

NOTE

Purchased assembly includes box, lid, string gasket, 4 PCB screws, and 4 lid screws.

Recommended Torque : (43-50) Ozf.in / (30-35) cN.m

RP Enclosure

| | |
|---|-----------|
| General Purpose ABS Light Grey (UL94 HB) | RP1055BF |
| General Purpose ABS Light Grey with Polycarbonate Clear Lid (UL94 HB) | RP1055CBF |
| Polycarbonate Off-White (UL94-V2) | RP1050BF |
| Polycarbonate Off-White with Clear Lid (UL94-V2) | RP1050CBF |

ACCESSORIES

| | |
|---|-------------|
| Lid Screw (M3.5-0.6 X 10mm) (50 Pkg) | SC619-50 |
| PCB Screw (M3 X 6mm Self-tapping) (50 Pkg) | SC622-50 |
| General Purpose ABS Black Inner Panel 3mm Thick | STC106 |
| Metal Inner Panel 1mm Thick | STA106 |
| String Gasket EPDM Grey (2 Pkg) | RP106GASKET |

HAMMOND MANUFACTURING
RP105 BF
www.hammondmfg.com