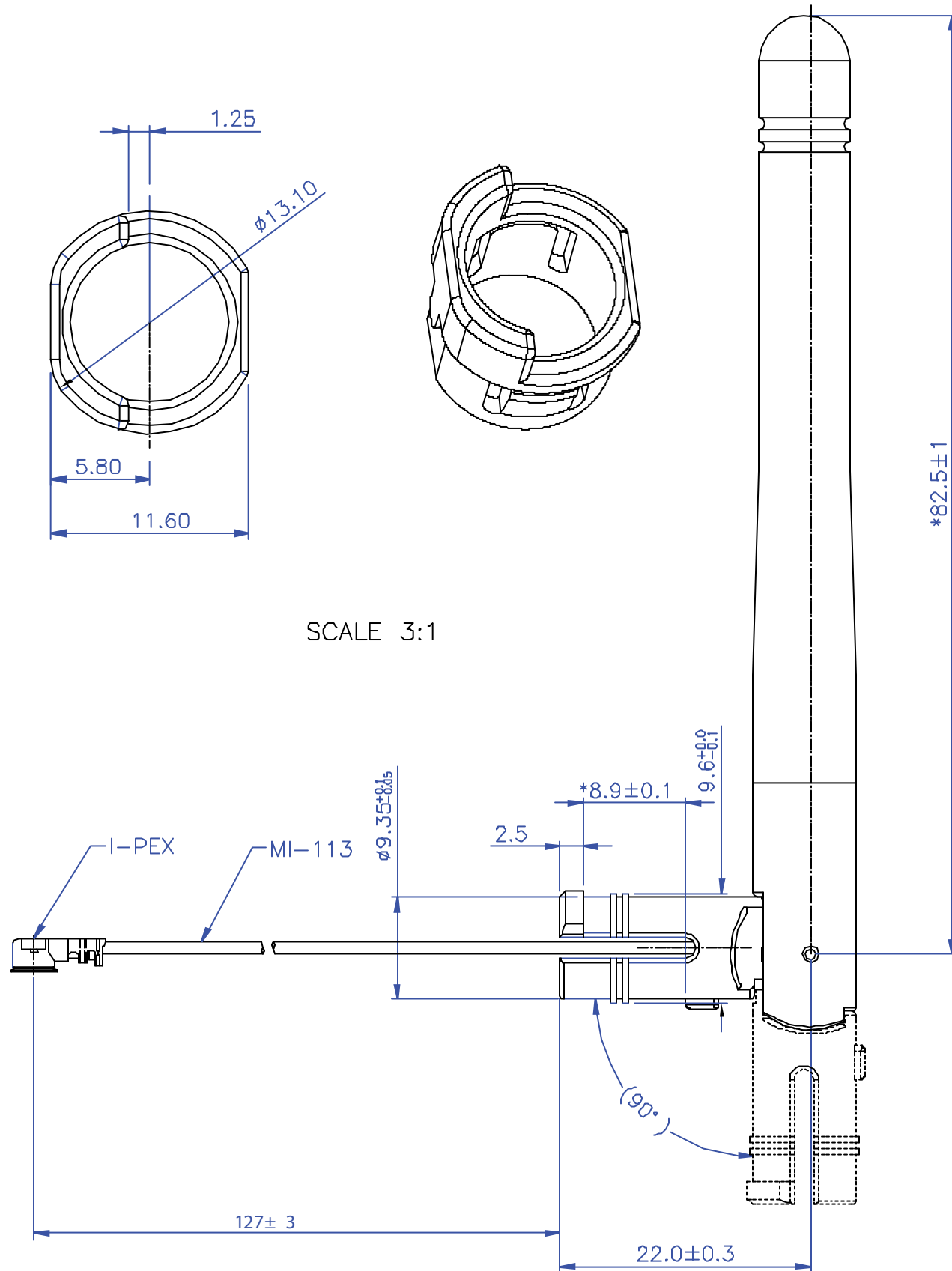


# P/N:A24-HABUF-P51

REVISION RECORD				
REV	ECC	DESCRIPTION	DRFT	CHKD



SCALE 3:1

NOTE:

- ELECTRICAL PROPERTIES
- DESCRIPTION : 1/4λ SWIVEL TYPE DIPOLE ANTENNA  
ø9.3x82.5+MI-113+I-PEX
  - FREQUENCY : 2400~2500MHz
  - IMPEDANCE : 50 Ohms nominal
  - V.S.W.R. : 2.0 max. IN BAND
  - GAIN : 1.14~2.14dBi, VERTICAL DIRECTION
  - ADMITTED POWER RADLATION : 1W
  - TYPE OF RADLATION : TOROIDAL
  - POLARIZATION : VERTICAL
  - ELECTRICAL LENGTH : 1/4 λ,DIPOLE
  - RADIATION : 0 mni

MECHANICAL PROPERTIES

- CABLE : MI-113, 50ohm
- OPERATING TEMPERATURE RANGE : -20°C~+70°C
- STORAGE TEMPERATURE RANGE : -20°C~+70°C
- ANTENNA COVER : TPE
- ANTENNA BASE :PBT+PC
- COLOR : BLACK

DETACHED LISTS	← MM →	DFTD Catherine	DATE 10/26/05	<p><b>MaxStream®</b></p> <p>ANTENNA 2.4G (two rings)+CABLE</p>
	TOLERANCES EXCEPT AS NOTED	CHKD	DATE	
	.0 ± 0.15	MFD	DATE	
	.00 ± 0.075	APPL	DATE	
	.000 ± 0.05	MATERIAL :		
ANGLES ± 0.5	QTY :			
THIRD ANGLE PROJECTION	FINISH :			
	SCALE : 2:1	DRAWING NO. GE423C82		SIZE A3
		/PART NO. SEE NOTE		REV 0
		DO NOT SCALE DRAWING		SHEET 1 OF 1