

Description

- Panel Mount , Screw-on mounting from rear-side
- 1 Function :
- Appliance Inlet , Pin temperature 70 °C , protection class I or II
- For PCB mounting

Approvals

- VDE Certificate Number: 40012767
- UL File Number: E96454
- CCC File Number: 2006010204183838

Other versions on request

- Ground terminal with quick-connect terminal 6,3 x 0,8 mm
- With solder terminals
- Variant with notch for V-Lock mating Cordsets

Weblinks

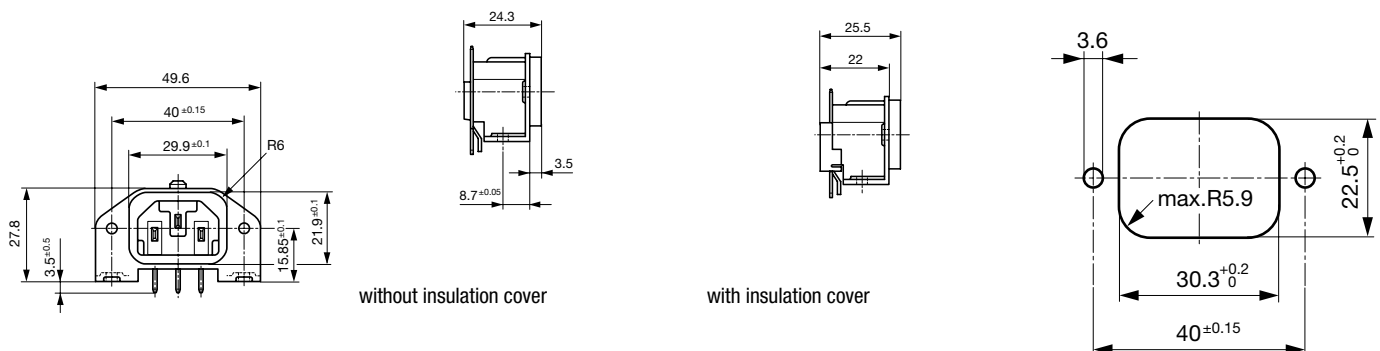
[pdf-datasheet](#), [html-datasheet](#), [General Product Information](#), [RoHS](#), [CHINA-RoHS](#), [REACH](#), [Distributor-Stock-Check](#), [Accessories](#), [Detailed request for product](#)

Newly available variants corresponding to V-Lock mating cordset. The connector is equipped with a notch intended for use with the latching cordset. The cord latching system prevents against accidental removal of the cordset.

Technical Data

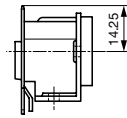
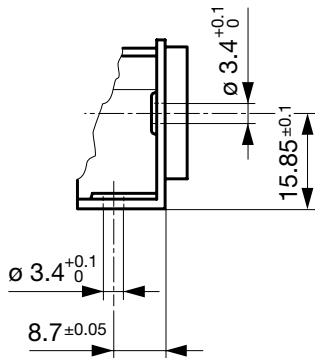
| | | | |
|---------------------------|---|-------------------------|---|
| Ratings IEC | 10A / 250VAC; 50Hz | appliance inlet/-outlet | C14 / C18 acc. to IEC 60320-1, |
| Ratings UL/CSA | 15A / 250VAC; 60Hz | | UL 498, CSA C22.2 no. 42 (for cold |
| Dielectric Strength | > 3 kVAC between L-N > 3 kVAC between L/N-PE (1 min/50Hz) | | conditions) pin-temperature 70 °C, 10A, |
| Allowable Operation Temp. | -25 °C to 70 °C | | Protection Class I or II |
| IP-Protection | from front side IP 40 acc. to IEC 60529 | | |
| Insulation cover | Suitable for appliances with protection class I or II acc. to IEC 61140 | | |
| Terminal | For PCB mounting ; Ground terminal: Quick connect terminals 4.8 x 0.8 mm angled or straight Solder terminal on request | | |
| Panel Thickness s | Screw: max 3 mm Mounting screw torque max 0.5Nm | | |
| Material: Housing | Thermoplastic, black, UL 94V-0 | | |

Dimensions

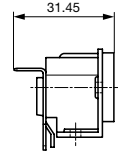


Ground terminal

Ground terminal



90° to connector axis

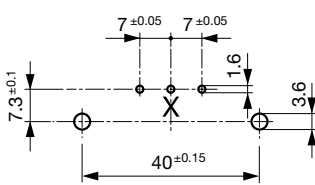


in connector axis

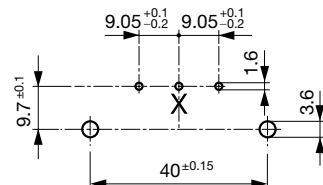
Drilling diagrams

Variants GSP1.9xxx

Variants GSP1.8xxx



X deleted for protection class II



X deleted for protection class II

All Variants

| Protection Class | PCB terminal spacing | Mounting flange with | Ground terminal 4.8 x 0.8 mm | Cover | Order Number |
|------------------|----------------------|--|------------------------------|-------|---------------|
| I | 7/7.3 | PCB side through holes, panel side pre-inserted nuts | in connector axis | ● | GSP1.9413.1 |
| I | 7/7.3 | holes for screws M3 | 90° to connector axis | | GSP1.9101.1 |
| I | 7/7.3 | holes for screws M3 | in connector axis | | GSP1.9103.1 |
| I | 7/7.3 | holes for screws M3 | in connector axis | ● | GSP1.9113.1 |
| I | 7/7.3 | holes for self-tapping screws 3mm, 4 screws enclosed | in connector axis | | GSP1.9503.1 |
| I | 7/7.3 | pre-inserted nuts M3, 4 pcs. | in connector axis | | GSP1.9203.1 |
| I | 7/7.3 | pre-inserted nuts M3, 4 pcs. | in connector axis | | GSP1.9203.121 |
| I | 9.05/9.7 | PCB side through holes, panel side pre-inserted nuts | 90° to connector axis | | GSP1.8401.1 |
| I | 9.05/9.7 | holes for screws M3 | 90° to connector axis | | GSP1.8101.1 |
| I | 9.05/9.7 | holes for screws M3 | 90° to connector axis | ● | GSP1.8111.1 |
| I | 9.05/9.7 | holes for screws M3 | in connector axis | | GSP1.8103.1 |
| I | 9.05/9.7 | holes for self-tapping screws 3mm, 2 screws enclosed | 90° to connector axis | | GSP1.8601.1 |
| I | 9.05/9.7 | holes for self-tapping screws 3mm, 2 screws enclosed | in connector axis | ● | GSP1.8613.1 |
| I | 9.05/9.7 | holes for self-tapping screws 3mm, 4 screws enclosed | 90° to connector axis | | GSP1.8501.1 |
| I | 9.05/9.7 | holes for self-tapping screws 3mm, without screws | 90° to connector axis | | GSP1.8701.1 |
| I | 9.05/9.7 | pre-inserted nuts M3, 4 pcs. | 90° to connector axis | | GSP1.8201.1 |
| I | 9.05/9.7 | pre-inserted nuts M3, 4 pcs. | 90° to connector axis | ● | GSP1.8211.1 |
| I | 9.05/9.7 | pre-inserted nuts M3, 4 pcs. | in connector axis | | GSP1.8203.1 |
| II | 7/7.3 | holes for screws M3 | - | | GSP1.9100.1 |
| II | 7/7.3 | holes for screws M3 | - | ● | GSP1.9110.1 |
| II | 7/7.3 | holes for self-tapping screws 3mm, 4 screws enclosed | - | | GSP1.9500.1 |
| II | 7/7.3 | pre-inserted nuts M3, 4 pcs. | - | | GSP1.9200.1 |
| II | 9.05/9.7 | holes for screws M3 | - | | GSP1.8100.1 |
| II | 9.05/9.7 | holes for screws M3 | - | ● | GSP1.8110.1 |
| II | 9.05/9.7 | holes for self-tapping screws 3mm, 4 screws enclosed | - | | GSP1.8500.1 |
| II | 9.05/9.7 | pre-inserted nuts M3, 4 pcs. | - | | GSP1.8200.1 |

Most Popular.

| Protection Class | PCB terminal spacing | Mounting flange with | Ground terminal 4.8 x 0.8 mm | Cover | Order Number |
|--|----------------------|----------------------|------------------------------|-------|--------------|
| Availability for all products can be searched real-time: http://www.schurter.com/Stock-Check/Stock-Check-SCHURTER | | | | | |
| Suffix "21" corresponds to the version with V-Lock mating cordset. The connector is equipped with a notch intended for use with the latching cordset. The cord latching system prevents against accidental removal of the cordset. | | | | | |
| Packaging unit | 50 Pcs | | | | |

Mating Outlets/Connectors

Category / Description

Connector Overview complete



| | |
|--|---------|
| 4782 Mounting: Power Cord, 3 x 1 mm ² / 3 x 18 AWG, Cable, Connector: IEC C13 | 4782 |
| 4022 Mounting: Power Supply Cord, 3 x 1.5 mm ² , Screw clamps, Connector: IEC C13 | 4022 |
| 4785 Mounting: Power Cord, 3 x 1 mm ² / 3 x 18 AWG, Cable, Connector: IEC C13 | 4785 |
| 4300-06 Mounting: Power Cord, 3 x 1 mm ² / 3 x 18 AWG, Cable, Connector: IEC C13 | 4300-06 |
| 4012 Mounting: Power Supply Cord, 3 x 1.5 mm ² , Screw clamps, Connector: IEC C13 | 4012 |
| Connector further types to GSP1 | ... |

Interconnection Cord Overview complete



| | |
|--|-----------|
| Cord Sets 10 A, Interconnection, 2.0 m, IEC H05VV-F3G1.0, black | 6007.0204 |
| Cord Sets 10 A, Interconnection, 1.0 m, Connector IEC C13, H05VV-F3G1.0, black | 6007.0212 |
| Cord Sets 10 A, Interconnection, 2.0 m, Connector IEC C13, H05VV-F3G1.0, black | 6007.0214 |
| Interconnection Cord further types to GSP1 | ... |

Power Supply Cord Overview complete



| | |
|--|-----------|
| Cord Sets 10 A, Europlug, 2.5 m, Connector IEC C13, H05VV-F3G1.0, black | 6004.0215 |
| Cord Sets 10 A, Europlug, 2.5 m, Connector IEC C13, H05VV-F3G1.0, black | 6003.0215 |
| Cord Sets 10 A, uninsulated wires, 2.0 m, Connector IEC C13, H05VV-F3G1.0, black | 6000.0224 |
| Cord Sets 10 A, uninsulated wires, 2.0 m, Connector IEC C13, H05VV-F3G1.0, black | 6000.0214 |
| Cord Sets 10 A, United Kingdom, 2.5 m, Connector IEC C13, H05VV-F3G1.0, black | 6044.0215 |
| Power Supply Cord further types to GSP1 | ... |

Power Supply or Interconnection Cord Overview complete



| | |
|--|-----------|
| Cord Sets 10 A, United Kingdom, 2.0 m, Connector IEC H05VV-F3G1.0, black | 6044.0204 |
| Power Supply or Interconnection Cord further types to GSP1 | ... |

Mating Outlets/Connectors shuttered

Power Cord Overview complete



| | |
|---|-----------|
| VAC17KS, North America, V-Lock cord retaining, 3.0 m, Connector C17, SJT 2x18 AWG, black | 3-101-794 |
| VAC17KS, North America, V-Lock cord retaining, 2.0 m, Connector C17, SJT 2x18 AWG, black | 6051.2801 |
| VAC17KS, North America, V-Lock cord retaining, 2.0 m, Connector C17, SJT 2x18 AWG, white | 6051.2811 |
| VAC17KS, United Kingdom, V-Lock cord retaining, 2.0 m, Connector IEC C17, H05VV-F2G1, black | 3-101-184 |
| VAC17KS, Switzerland, V-Lock cord retaining, 2.0 m, Connector IEC C17, H05VV-F2G1, black | 3-101-185 |
| Power Cord further types to GSP1 | ... |