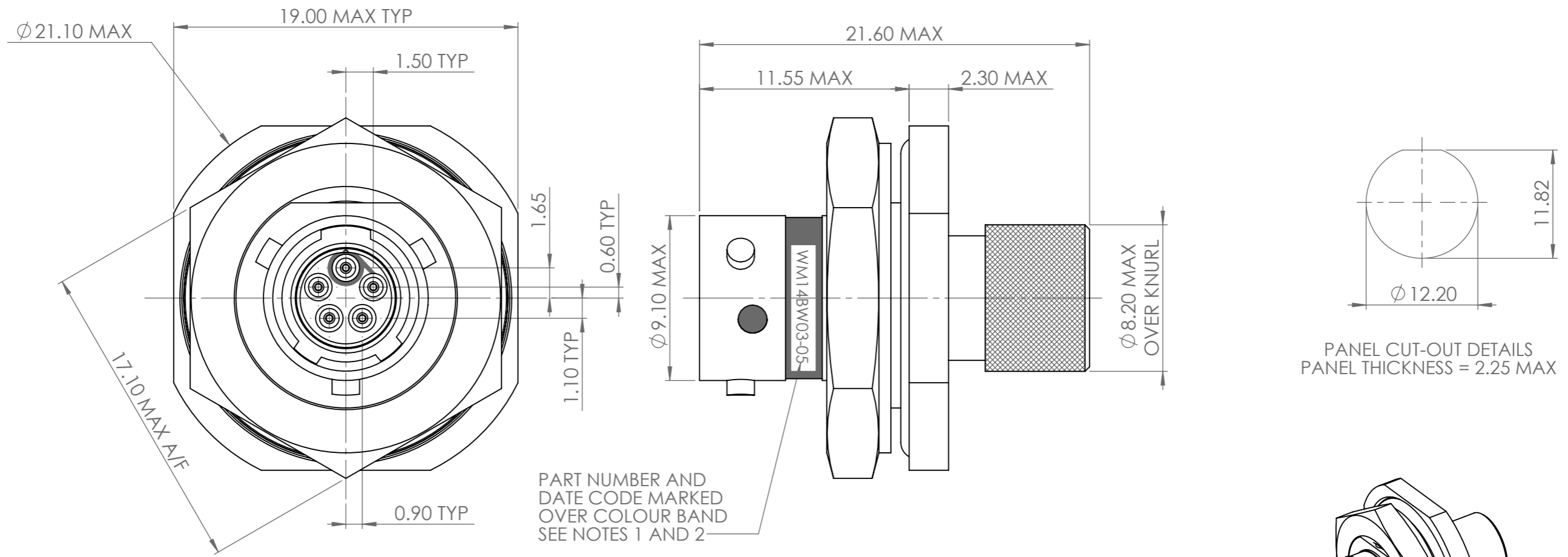


DRAWING NUMBER:
611876-ENV

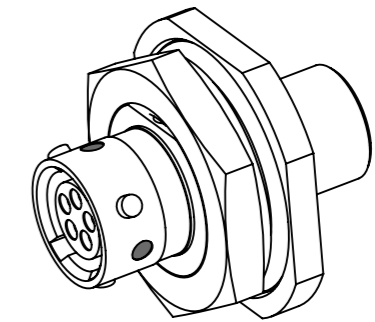


NOTES:

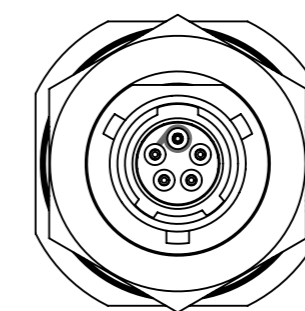
- CONNECTOR ORIENTATION IDENTIFIED BY COLOUR BAND AS BELOW :-

N ORIENTATION - RED	C ORIENTATION - ORANGE
A ORIENTATION - YELLOW	D ORIENTATION - GREEN
B ORIENTATION - BLUE	E ORIENTATION - GREY
- PART MARKING EXAMPLE:

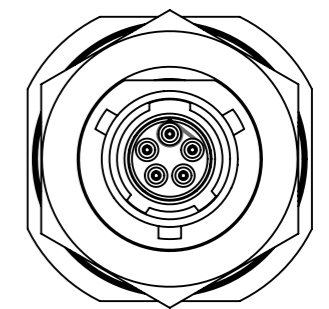
H****D	WM 1 4 B W 03 - 05 S N - ***
DATE CODE	OPTION CODE
SERIES PREFIX	SHELL KEYING
SHELL ACCESSORY FEATURE	CONTACT TYPE
SHELL TYPE	INSERT ARRANGEMENT
COUPLING TYPE	SHELL SIZE
FINISH	
- MATERIALS :-
 - SHELL - ALUMINIUM ALLOY
 - CONTACTS - COPPER ALLOY GOLD PLATED
 - INSULATOR - HIGH GRADE PLASTIC
 - INTERFACIAL AND REAR SEALS - FLUOROSILICONE



SCALE 2:1



SOCKET INSERT VARIANT



PIN INSERT VARIANT

THIRD ANGLE PROJECTION	MATERIAL: SEE NOTE 3	FINISH: -----	<p>DEUTSCH TE CONNECTIVITY UK LTD., ST. LEONARDS-ON-SEA, TN38 9RF, UK.</p>					
	TITLE: RECEPT ASSY. WM SIZE 3 5 WAY. JAM NUT. LONG KNURL. ENVELOPE DETAILS.			TYPE: CUSTOMER DRAWING				
IF IN DOUBT, ASK	SIZE: A3	SCALE: 4:1	DRAWING NUMBER: 611876-ENV					
AA	DUK-71602	NDL	KSC	KJF	CEO	19/05/2020	SHEET: 1 OF 1	ISSUE: AA
ISSUE	CHANGE NOTE	DRAWN	CHECKED	APP. ENG.	APP. MARKETING	DATE		

THIS INFORMATION IS CONFIDENTIAL AND PROPRIETARY TO TYCO ELECTRONICS CORPORATION AND ITS WORLDWIDE SUBSIDIARIES AND AFFILIATES (TE). IT MAY NOT BE DISCLOSED TO ANYONE OTHER THAN TE PERSONNEL, WITHOUT AUTHORIZATION FROM TE (www.te.com).