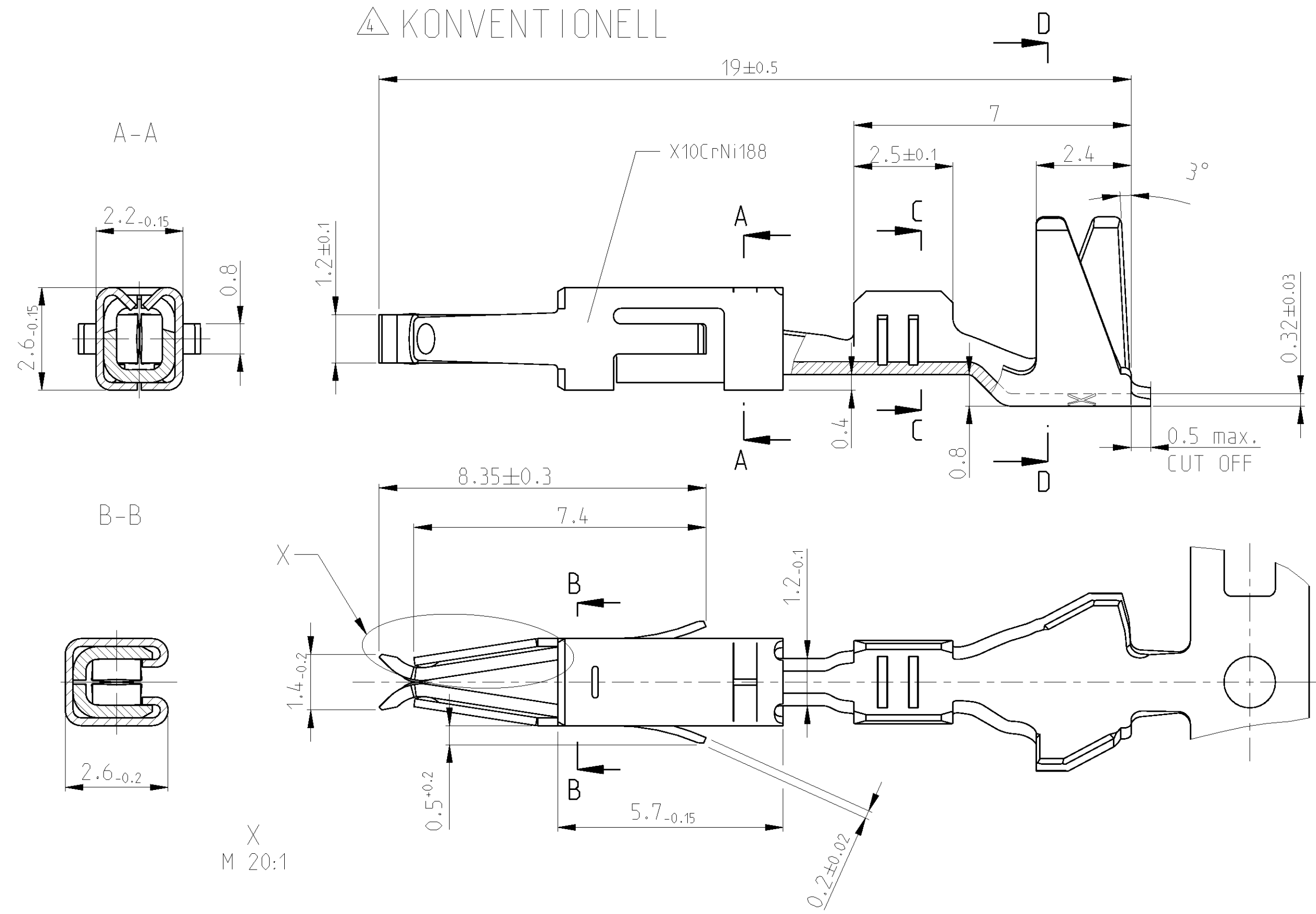


THIS DRAWING IS UNPUBLISHED. RELEASED FOR PUBLICATION  
 © COPYRIGHT - ALL RIGHTS RESERVED.

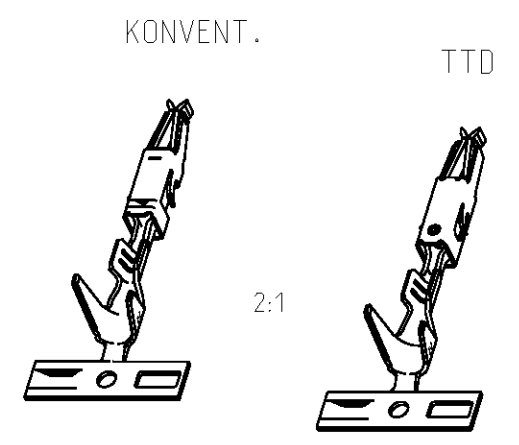
LOC		DIST		REVISIONS			
P	LTR	DESCRIPTION	DATE	DWN	APVD		
A1	-						
N2		REVISED PER ECO-11-005150	31MAR2011	RK	HMR		
N3		NEW VERISON OF GOLD CONTACTS PRERMITTED.	18MAY2011	Kirs	Mair		
N4		OPTIONAL to note 5 TTD added. (area A3)	29JUN2011	Kirs	Mair		
N5		PRODUCT SPEC CORRECTED	23JUN2014	Ho.	Eder		

4 KONVENTIONELL

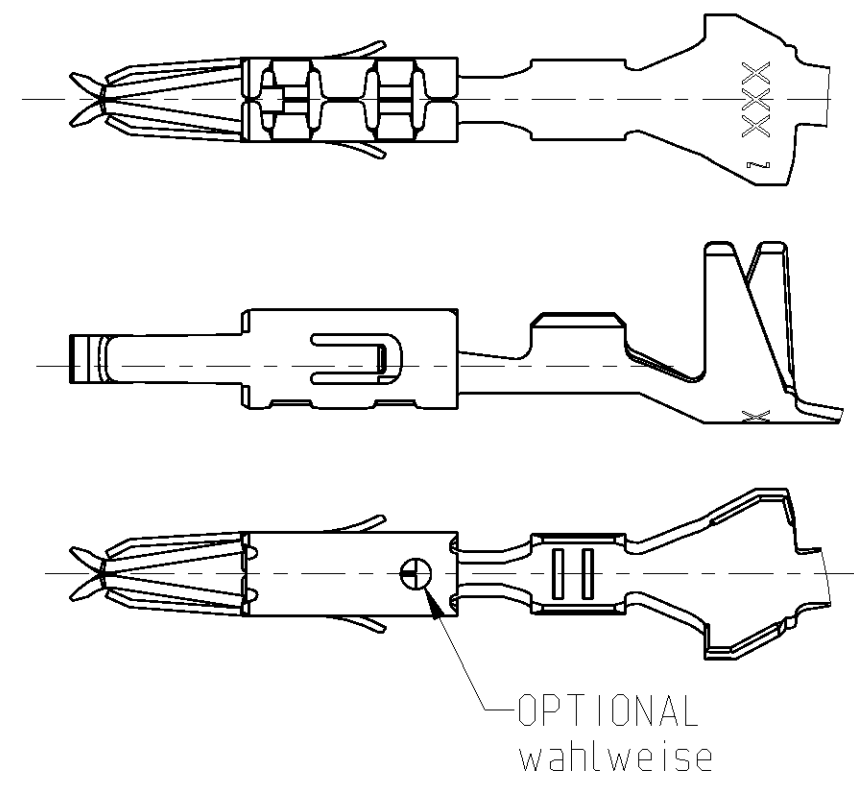
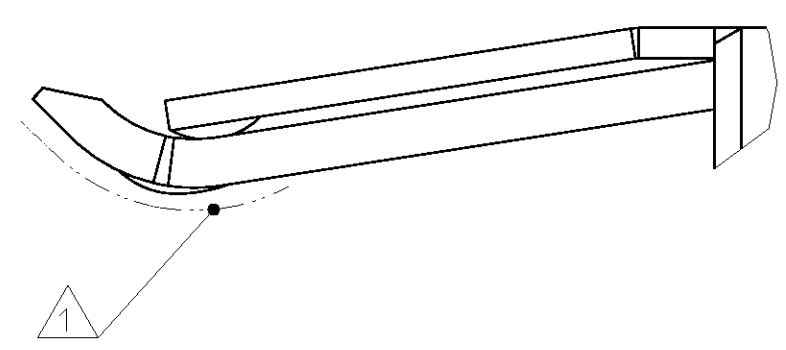


NOTES  
Bemerkungen

- 1 SELECTIVE GOLD PLATED MIN. 0.8 µm OVER NI  
selektiv vergoldet 0.8 µm ueber Ni
- 2 TIN PLATED MIN. 0.2 µm OVER NI  
verzinkt 0.2 µm ueber Ni
- 3 WIRE RANGE : 0.2 - 0.5 mm<sup>2</sup>  
INSULATION-Ø: 2.8 mm (SINGLE WIRE SEAL)  
Drahtgrossenbereich: 0.2 - 0.5 mm<sup>2</sup>  
Isolations-Ø: 2.8 mm (Einzeldichtung)



5 TWO TRACK DIE  
M 5:1



VERSION	LP NO	SURFACE / Oberflaeche	MATERIAL	PART NO	REV
5 4	963710-5	1 2	CuFe2	962875-5	N
5 4	963710-3	1 2	CuSn4	962875-3	N
5	963710-2	PRETIN / vorverzinkt	CuFe2	962875-2	N
5	963710-1	PRETIN / vorverzinkt	CuSn4	962875-1	N

THIS DRAWING IS A CONTROLLED DOCUMENT.

DWN	R.Hofer	05-JAN-89	 TE Connectivity	MICRO TIMER 2 CONTACT WITH DOUBLE LOCKING LANCE mit doppelter Rastfeder		
CHK	L.Nix	05-APR-89				
APVD	M.Bleicher	25-JUN-08				
PRODUCT SPEC	108-18055					
DIMENSIONS:	TOLERANCES UNLESS OTHERWISE SPECIFIED:		SIZE	CAGE CODE	DRAWING NO	RESTRICTED TO
mm	0-PLC ±	±0.2	A2	00779	C-962875	-
	1-PLC ±		SCALE	10:1	SHEET	1 OF 1
	2-PLC ±		WEIGHT	0.3 g	REV	N5
	3-PLC ±		MATERIAL	-		
	4-PLC ±		Customer Drawing			
	ANGLES ±2°					
	FINISH					